

ELECTRICAL ABBREVIATIONS

ABBREVIATION	DESCRIPTION	ABBREVIATION	DESCRIPTION
A	AMPERE	KA	THOUSAND AMPERES
AB	ABOVE	KMIL	THOUSAND CIRCULAR MILS
ACET	ACETYLENE	KVA	KILOVOLT-AMPERE
AC	ALTERNATING CURRENT	KW	KILOWATT
AF	AMPERE FRAME	LTC	LIGHTING
AFF	ABOVE FINISHED FLOOR	LT(S)	LIGHT(S)
AHU	AIR HANDLING UNIT	MA	MILLIAMPERE
AI	AMPERE INTERRUPTING CAPACITY	MAINT	MAINTAINED
ANN	ANNUNCIATOR	MAX	MAXIMUM
ATS	AUTOMATIC TRANSFER SWITCH	MC	METAL CLAD CABLE
AUX	AUXILIARY	MCR	MAIN CIRCUIT BREAKER
AWG	AMERICAN WIRE GAUGE	MCC	MOTOR CONTROL CENTER
BB	BACKBOARD	MCM	THOUSAND CIRCULAR MILS
BC	BARE COPPER	MCP	MAIN DISTRIBUTION PANEL
BATT	BATTERY	MFR	MANUFACTURER
BW	BOTH WAYS	MH	METAL HALIDE
BTM	BOTTOM	MIN	MINIMUM
BKR	BREAKER	MLO	MAIN LUGS ONLY
BLOG	BUILDING	MSCC	MOTOR STARTER CONTROL CIRCUIT
C	CONDUIT	MT	MOUNT
CAB	CABINET	MTD	MOUNTED
CB	CIRCUIT BREAKER	MTR	MOTOR
CATV	CABLE TELEVISION	MV	MEDIUM VOLTAGE
CT	CIRCUIT	N	NORTH
C	CENTER LINE	NC	NORMALLY CLOSED
CLG	CEILING	NEC	NATIONAL ELECTRIC CODE
COL	COMPANY	NF	NON-FUSED
COL	COLUMN	NIC	NOT IN CONTRACT
COMM	COMMUNICATIONS	NL	NIGHT LIGHT
CONC	CONCRETE	NO	NORMALLY OPEN
CONN	CONNECTION, CONNECT	O2	OXYGEN
COORD	COORDINATE	OH	OVERHEAD
CONTR	CONTRACTOR	OHD	OVERHEAD DOOR OPERATOR
CUH	CABINET UNIT HEATER	OL	OVERLOAD
CW	COOL WHITE	P	POLE(S)
CT	CURRENT TRANSFORMER	PC	PHOTOCELL
Δ	DELTA CONNECTION	PF	POWER FACTOR
D	DEEP	PL	PANEL
DB	DECOBEL	PNL	PILOT LIGHT
DET	DETECTOR	PR	PAIR
DIA	DIAMETER	PRI	PRIMARY
DISC	DISCONNECT	PVC	POLYVINYL CHLORIDE
DIST	DISTRIBUTION	PWR	POWER
DIV	DIVISION	φ	PHASE
DN	DOWN	RECP	RECEPTACLE
DP	DISTRIBUTION PANEL	REFR	REFRIGERATOR
DWG	DRAWING	RGS	RIGID GALVANIZED STEEL CONDUIT
EA	EACH	RM	ROOM
EF	EXHAUST FAN	SCH	SCHEDULE
EG	EQUIPMENT GROUND	SEC	SECONDARY
E.I.F.S.	EXTERIOR INSULATED FINISH SYSTEM	SFL	SUB-FEED LUGS
EL	ELEVATION	SH	SMOKE HATCH
ELEC	ELECTRIC(AL)	SHT	SHEET
ELU	EMERGENCY LIGHT UNIT	SPC	SPACE
EMER	EMERGENCY	SPKR	SPEAKER
EMT	ELECTRICAL METALLIC TUBING	SPR	SPARE
ENCL	ENCLOSURE	SQ	SQUARE
EPO	EMERGENCY POWER OFF	SS	STAINLESS STEEL
EPR	ETHYLENE PROPYLENE RUBBER	STP	SHIELDED TWISTED PAIR
EQUIP	EQUIPMENT	SUSP	SUSPEND(ED)
EUH	ELECTRIC UNIT HEATER	SW	SWITCH
EWG	ELECTRIC WATER COOLER	SWGB	SWITCHBOARD
EWL	ELECTRIC WALL HEATER	SWGR	SWITCHGEAR
EX	EXISTING	T, TEL	TELEPHONE
EXT	EXTERIOR	TBB	TELECOMMUNICATIONS BACKBOARD
F	FUSE(D)	TC	TIME CLOCK
FA	FIRE ALARM	TEMP	TEMPORARY
FACP	FIRE ALARM CONTROL PANEL	TERM	TERMINAL, TERMINATE
FCU	FAN COOL UNIT	T-STAT	THERMOSTAT
FIXT	FIXTURE	TV	TELEVISION
FL	FLOOR, FLOURESCENT	TVSS	TRANSIENT VOLTAGE SURGE SUPPRESSOR
FLA	FULL LOAD AMPERES	TW	TWISTED
FLR	FLOOR	TWU	THROUGH-THE-WALL UNIT
FLEX	FLEXIBLE	TYP	TYPICAL
FLOOR	FLOURESCENT	U	ULTRASONIC
FO	FIBER OPTIC	UC	UNDER COUNTER
FUT	FUTURE	UG	UNDERGROUND
FURN	FURNISH, FURNITURE	UH	UNIT HEATER
G, GND	GROUND	UON	UNLESS OTHERWISE NOTED
GALV	GALVANIZED(D)	UNINT	UNINTERRUPTIBLE POWER SUPPLY
GEN	GENERATOR	UTIL	UTILITY
GFI	GROUND FAULT CIRCUIT INTERRUPTER	UTP	UNSHIELDED TWISTED PAIR
GFP	GROUND FAULT PROTECTION	V	VOLT, VOLTS
HD	HEAVY DUTY	VAV	VOLT-AMPERES
HGT	HEIGHT	W	WIRE
HI	HAND HOLE	W/	WITH
HID	HIGH INTENSITY DISCHARGE	WP	WEATHERPROOF
HO	HIGH OUTPUT	WT	WATERTIGHT
HOA	HAND-OFF-AUTOMATIC	X	EXPLOSION PROOF
HP	HORSEPOWER, HEAT PUMP	XFMR	TRANSFORMER
HPF	HIGH POWER FACTOR	Y	WYE CONNECTION
HPS	HIGH PRESSURE SODIUM		
HTR	HEATER		
HV	HIGH VOLTAGE		
HW	HOT WATER		
IC	INTERCOMMUNICATION		
ID	IDENTIFICATION		
INCAND	INCANDESCENT		
IPS	INTERRUPTIBLE POWER SUPPLY		
IR	PASSIVE INFRARED		
JB	JUNCTION BOX		
J-BOX	JUNCTION BOX		
JCT	JUNCTION		

ELECTRICAL DRAWING ORGANIZATION

ELECTRICAL DISCIPLINE
DISCIPLINE GROUP NUMBER
DRAWING NUMBER

E001	GENERAL (INDEX, SYMBOLS, ABBREVIATIONS, LEGEND), SITE PLANS
E101	LIGHTING PLANS, FIXTURE AND LIGHTING CONTROL SCHEDULES
E201	POWER & SYSTEM PLANS
E401	POWER DISTRIBUTION DIAGRAMS, PANEL SCHEDULES
E501	MOTOR CONTROL SCHEDULES, MISCELLANEOUS DETAILS

KEYED NOTE:
[] KEYED NOTE REFERENCE SYMBOL.
ONLY REFERS TO KEYED NOTE ON SAME DRAWING.
KEYED NOTES APPLY ONLY WHERE REFERENCED ON PLAN.

ELECTRICAL LEGENDS

POWER

- ☐ DUPLEX RECEPTACLE OUTLET NEMA 5-20R, WALL MOUNTED 18" AFF. TO CENTERLINE UON.
- ☐ QUADRUPEX RECEPTACLE OUTLET NEMA 5-20R, WALL MOUNTED 18" AFF. TO CENTERLINE UON.
- ☐ DUPLEX RECEPTACLE OUTLET NEMA 5-20R, WITH GROUND FAULT INTERRUPTER, WALL MOUNTED 6" ABOVE COUNTER UON.
- [] REFERENCE KEY NOTE NUMBER.
- ☉ JUNCTION BOX CEILING MOUNTED
- ☉ JUNCTION BOX WALL MOUNTED
- 30/30 ☐ DISCONNECT SWITCH; AMP/No. OF POLES/UNFUSED
- 30/30/30 ☐ FUSED DISCONNECT SWITCH; AMP/No. OF POLES/ FUSE AMP.
- ☒ MOTOR STARTER
- ☒ COMBINATION MOTOR STARTER
- ☒ MOTOR
- ☒ SHUNT TRIP CIRCUIT BREAKER
- ☒ PULLBOX
- ☒ TAP BOX
- ☒ TRANSFORMER
- ☒ 277/480V PANEL SURFACE MOUNTED
- ☒ 120/208V PANEL SURFACE MOUNTED
- ☒ MULTI-OUTLET ASSEMBLY (WIREMOLD)

HOME RUN TO PANEL BOARD NOTED. ARROWHEADS INDICATE NO. OF CIRCUITS. NO. OF CROSS LINES DENOTES NO. OF WIRE WHEN MORE THAN THREE (HOT, NEUTRAL AND GROUND CONDUCTOR). PROVIDE 2#12+1#12G.-3/4". NEITHER IS NOTED. PROVIDE #10 NEUTRAL CONDUCTOR FOR ALL MULTI CIRCUITS FOR ALL RECEPTACLE CIRCUITS.

- ☒ BRANCH CIRCUIT WIRING CONCEALED IN CEILING OR WALL
- ☒ BRANCH CIRCUIT WIRING/CONDUIT CONCEALED IN FLOOR OR UNDERGROUND
- ☒ SPLIT CIRCUIT
- ☒ CONDUIT TURNING DOWN
- ☒ CONDUIT TURNING UP
- ☒ CIRCUIT CONTINUED OR CONNECTED TO EQUIPMENT INDICATED
- ☒ EMPTY CONDUIT WITH PULLWIRE AND BUSHING
- ☒ DIRECT CURRENT 2#12 CABLE
- ☒ FAN COOL UNIT, NUMBER INDICATES POWER RATING (1) 35W, (2) 55W, (3) 80W, (4) 80W, 115V, 1φ
- ☒ CABINET UNIT HEATER, NUMBER INDICATES POWER RATING (1) 50W, (2) 50W, 115V, 1φ
- ☒ HOT WATER UNIT HEATER, NUMBER INDICATES POWER RATING (1) 1/50HP, (2) 1/50HP, 115V, 1φ

LIGHTING

- ☒ 2' X 4' FLUORESCENT LIGHT FIXTURE, LETTER INDICATES FIXTURE TYPE
- ☒ 2' X 2' FLUORESCENT LIGHT FIXTURE, LETTER INDICATES FIXTURE TYPE
- ☒ 1' X 4' FLUORESCENT LIGHT FIXTURE - CEILING MOUNTED. LETTER INDICATES FIXTURE TYPE
- ☒ 1' X 4' FLUORESCENT STRIP LIGHT - WALL MOUNTED. LETTER INDICATES FIXTURE TYPE
- ☒ FLUORESCENT DOWNLIGHT. LETTER INDICATES FIXTURE TYPE
- ☒ LIGHTING FIXTURE - WALL MOUNTED, LETTER INDICATES FIXTURE TYPE.
- ☒ EXIT LIGHT FIXTURES-CEILING MOUNTED -SHADING INDICATES SIDE OF ILLUMINATION -ARROWS INDICATE DIRECTION
- ☒ EXIT LIGHT FIXTURES-WALL MOUNTED -SHADING INDICATES SIDE OF ILLUMINATION -ARROWS INDICATE DIRECTION
- ☒ EMERGENCY BATTERY PACK FIXTURE, TIED AHEAD OF LOCAL SWITCH
- ☒ REMOTE BATTERY PACK FOR EMERGENCY FIXTURE
- ☒ STEP LIGHT FIXTURE
- ☒ POLE MOUNTED SITE LIGHT FIXTURE WITH SINGLE LUMINAIRE .
- ☒ POLE MOUNTED SITE LIGHT FIXTURE WITH TWIN LUMINAIRES .
- ☒ KEYED SWITCH-SINGLE POLE-WALL MTD. 48" AFF
- ☒ SWITCH-SINGLE POLE-WALL MTD. 48" AFF
- ☒ SWITCH-THREE WAY-WALL MTD. 48" AFF
- ☒ SWITCH-FOUR WAY-WALL MTD. 48" AFF
- ☒ SWITCH-LETTER DENOTES LIGHT FIXTURE-WALL MTD. 48" AFF
- ☒ PASSIVE INFRARED OCCUPANCY SENSOR WITH OVERRIDE SWITCH, WALL MTD. 48" AFF. SENSOR SWITCH #WSD-VS-W OR EQUIVALENT
- ☒ PASSIVE INFRARED CEILING MOUNTED OCCUPANCY SENSOR SENSOR SWITCH #CM-9 OR EQUIVALENT
- ☒ DUAL TECHNOLOGY CEILING MOUNTED OCCUPANCY SENSOR SENSOR SWITCH #CM-PDT OR EQUIVALENT
- ☒ PASSIVE INFRARED OCCUPANCY SENSOR, CORNER MOUNTED AT 84" SENSOR SWITCH #WV-16 OR EQUIVALENT
- ☒ POWER PACK FOR LOW VOLTAGE OCCUPANCY SENSORS
- ☒ 2'X2' EMERGENCY LIGHT FIXTURE. SHADING INDICATES FIXTURE WITH EMERGENCY BALLAST.
- ☒ 2'X4' WHITE-LIGHT FIXTURE. SHADING INDICATES FIXTURE WITH EMERGENCY BALLAST.
- ☒ 1'X4' WHITE-LIGHT FIXTURE. SHADING INDICATES FIXTURE WITH EMERGENCY BALLAST.
- ☒ DOWNLIGHT WHITE-LIGHT FIXTURE. SHADING INDICATES FIXTURE WITH EMERGENCY BALLAST.
- ☒ H.I.D. WHITE-LIGHT. SHADING INDICATES FIXTURE ON EMERGENCY BATTERY BACKUP. REFER TO DETAIL E5 DWG. E500 FOR DETAIL.

FIRE ALARM

- ☒ FIRE ALARM PULL STATION
- ☒ FIRE ALARM HORN STROBE - 80" AFF UON. (NUMBER INDICATES CANDELA RATING)
- ☒ FIRE ALARM STROBE-WALL MOUNTED 80" AFF NUMBER INDICATES CANDELA RATING "C" DENOTES CEILING MOUNTED
- ☒ SMOKE DETECTOR - PHOTOELECTRIC TYPE UON.
- ☒ HEAT DETECTOR
- ☒ DUCT SMOKE DETECTOR WITH SAMPLING TUBE
- ☒ FLOW SWITCH
- ☒ TAMPER SWITCH
- ☒ MAGNETIC DOOR HOLDER
- ☒ FIRE ALARM CONTROL PANEL
- ☒ FIRE ALARM REMOTE ANNUNCIATOR
- ☒ DENOTES WEATHERPROOF BACKBOX DUE TO SUSTAINED HIGH HUMIDITY IN POOL AREA

ONE LINE

- ☒ CIRCUIT BREAKER
- ☒ STARTER
- ☒ TRANSFORMER
- ☒ FUSE
- ☒ DISCONNECT SWITCH AND FUSE
- ☒ METER
- ☒ GROUND

SECURITY

- ☒ CLOSED CIRCUIT TELEVISION CAMERA.
- ☒ CARD READER. MOUNTING HEIGHT +4'-0" A.F.F. OWNER FURNISHED, CONTRACTOR INSTALLED.
- ☒ ELECTROMAGNETIC LOCK. LOCK FURNISHED AND INSTALLED UNDER DIVISION 8. ELECTRICAL CONNECTIONS PROVIDED UNDER DIVISION 16.
- ☒ NORMALLY CLOSED RELAY FOR INTERFACE WITH FIRE DETECTION AND ALARM SYSTEM. UPON ALARM, RELAY WILL RELEASE DOOR LOCK POWER SUPPLY.
- ☒ POWER SUPPLY FOR ELECTROMAGNETIC LOCK. FURNISHED UNDER DIVISION 8, INSTALLED UNDER DIVISION 16.
- ☒ DOOR POSITION SWITCH
- ☒ AUDIBLE ALARM FOR DOOR PROP INDICATION. MOUNT +7'-6" A.F.F. TONE FOR AUDIBLE ALARM.
- ☒ KEYPAD CONTROLLER MOUNTED IN ELEVATOR CONTROL PANEL.
- ☒ PUSH BUTTON SWITCH
- ☒ MOTION DETECTOR
- ☒ KEY SWITCH
- ☒ EXIT DEVICE
- ☒ KEYPAD CONTROLLER MOUNTED BY DOOR.

COMMUNICATIONS

- ☒ TELEPHONE OUTLET BACK BOX - WALL MOUNTED 18" AFF. UON.
- ☒ VOICE OUTLET BACK BOX - WALL MOUNTED 54" AFF. UON.
- ☒ DATA OUTLET BACK BOX - WALL MOUNTED 18" AFF. UON.
- ☒ COMBINATION VOICE/DATA OUTLET BACK BOX - WALL MOUNTED 18" AFF. UON.
- ☒ VIDEO OUTLET BACK BOX - WALL MOUNTED 18" AFF. UON.
- ☒ COMBINATION VOICE/DATA/VIDEO OUTLET 4"X4" BACK BOX - WALL MOUNTED 18" AFF. UON.

ELECTRICAL DRAWING LIST

E001	ELECTRICAL ABBREVIATIONS, LEGENDS AND DRAWING LIST
E002	ELECTRICAL SITE PLAN
E100	BASEMENT FLOOR LIGHTING PLAN
E101	FIRST FLOOR LIGHTING PLAN
E200	BASEMENT FLOOR POWER PLAN
E201	FIRST FLOOR POWER PLAN
E202	ROOF POWER PLAN
E401	SINGLE LINE AND POWER DIAGRAM
E402	FIRE ALARM DIAGRAM AND GRAPHIC ANNUNCIATOR PANEL
E500	LIGHTING FIXTURE SCHEDULE
E501	ELECTRICAL PANEL SCHEDULES
E502	ELECTRICAL PANEL SCHEDULES
E601	PARTIAL BASEMENT POWER PLAN
E602	ELECTRICAL DETAILS
E603	ELECTRICAL DETAILS

REVISED CONSTRUCTION DOCUMENT

no.	revisions/submissions/last update	date
1	Schematic Design Submission	11/21/01
2	Design Development Submission	02/01/02
3	Permit Set	04/29/02
4	Bid Set- Not For Construction	06/14/02
5	Construction Document	06/21/02
6	V.E. BID SET	11/22/02
7	LIGHTING CONTROL/POOL LIGHTING REVISION	01/15/04

Einhorn Yaffee Prescott ARCHITECTURE & ENGINEERING, P.C.
THE FLOOR MILL 1000 POTOMAC ST. NW WASHINGTON, D.C. 20002 (202) 571-3500
ALBANY, NY BOSTON, MA WHITE PLAINS, NY NEW YORK, NY LOS ANGELES, CA

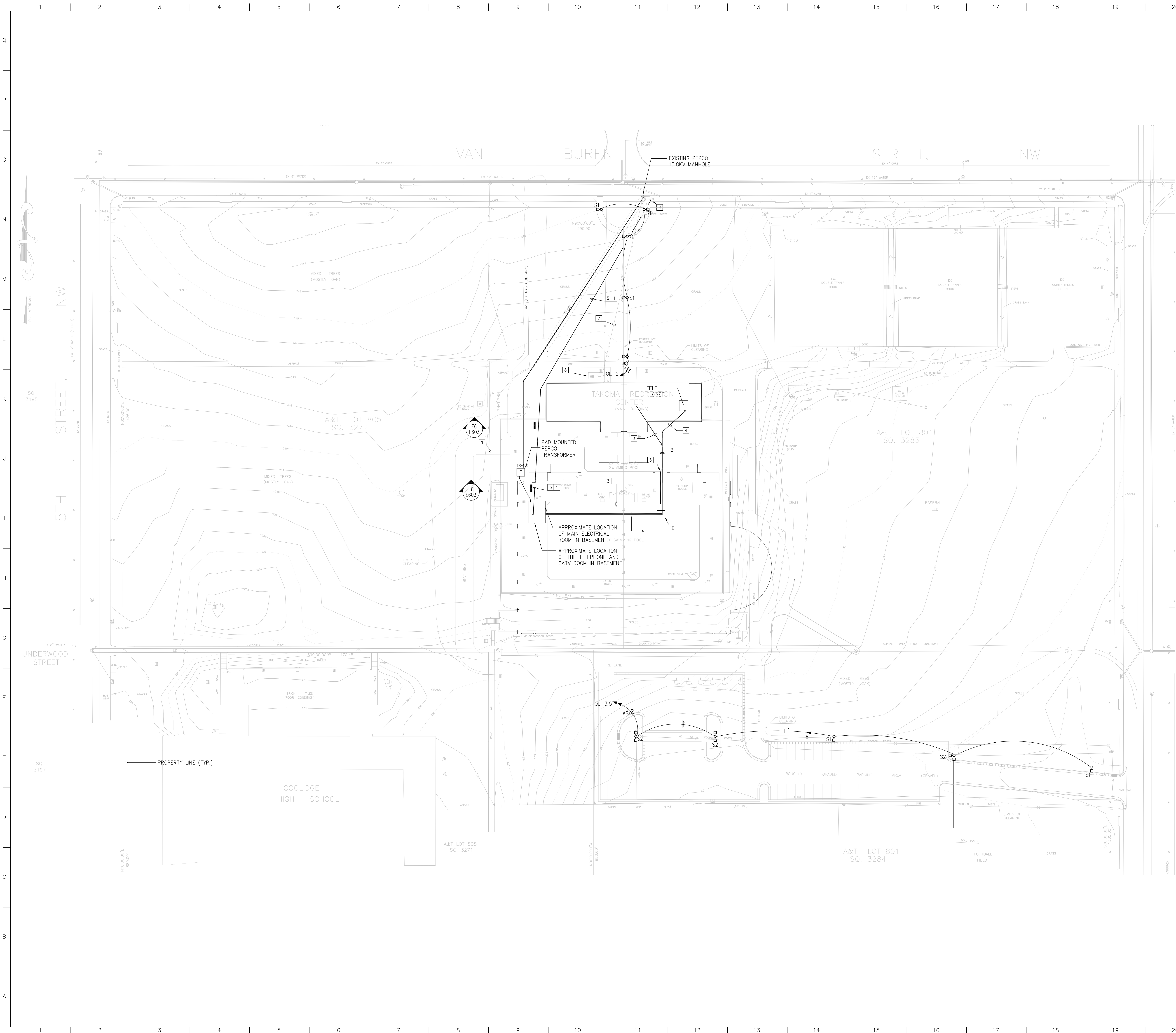
TAKOMA RECREATION CENTER
 300 VAN BUREN STREET, NW
 DEPARTMENT OF PARKS AND RECREATION
 3148 16th Street, NW
 Washington, DC 20009
 (202) 673-7647

THE JAIR LYNCH COMPANIES ALPHA CORPORATION
 1508 U Street, NW 3700 Koppers Street
 Washington, DC 20009 Baltimore, MD 21227
 (202) 462-1092 (410) 646-3044

ELECTRICAL STANDARD LEGEND

seal	designed by	project no.
	DD	2001038.00
drawn by	CAD file no.	
DH	elec\plot\trc-e001.dwg	
checked by	drawing no.	
DT		
date		
02/10/2003		
scale		
1/8" = 1'-0"		

E001



- KEYED NOTES**
- 1 PROVIDE 1-4" PVC SCH#40 WITH PULLWIRE TO TELEPHONE/CATV ROOM AS INDICATED. COORDINATE WITH TELEPHONE CO. PRIOR TO ELECTRICAL ROUGH-IN.
 - 2 UNDERGROUND FEEDER FOR PANEL "HC"; 1-4" PVC CONDUIT FOR TELEPHONE; 1-4" PVC CONDUIT FOR CATV; 1-2" PVC FOR FIRE ALARM; 1-2" PVC FOR SECURITY. CONNECTIONS BETWEEN TWO BUILDING. COORDINATE AND FOLLOW ROUTES OF MECHANICAL DWG. AS POSSIBLE.
 - 3 PANEL "HC" FEEDER
 - 4 1-4"C TELEPHONE + 1-4"C + 1-2" C FIRE ALARM + 1-2"C SECURITY.
 - 5 PROVIDE 1-4" PVC SCH#40 WITH PULLWIRE TO TELEPHONE/CATV ROOM AS INDICATED. COORDINATE WITH CATV COMPANY PRIOR TO ELECTRICAL ROUGH-IN.
 - 6 RUN IN BASEMENT BELOW.
 - 7 EXISTING PEPCO PRIMARY FEEDER TO BE REMOVED OR ABANDONED OR RELOCATED BY PEPCO.
 - 8 EXISTING UNDERGROUND TRANSFORMER TO BE REMOVED BY PEPCO. COORDINATE WITH PEPCO CONSTRUCTION.
 - 9 STUB TWO 4" CONDUITS (CATV AND TEL) UP 12" ABOVE GRADE AGAINST UTILITY POLE AND CAP.
 - 10 PROVIDE PULLBOX SIZED AS REQUIRED FOR EACH SYSTEM CONDUIT FOR EVERY TWO TURNS (NOT TO EXCEED 180°)

REVISED CONSTRUCTION DOCUMENT

no.	revisions/submissions/last update	date
1	Schematic Design Submission	11/21/01
2	Design Development Submission	02/01/02
3	Permit Set	04/29/02
4	Bid Set - Not For Construction	06/14/02
5	Construction Document	06/21/02
6	V.E. BID SET	11/22/02

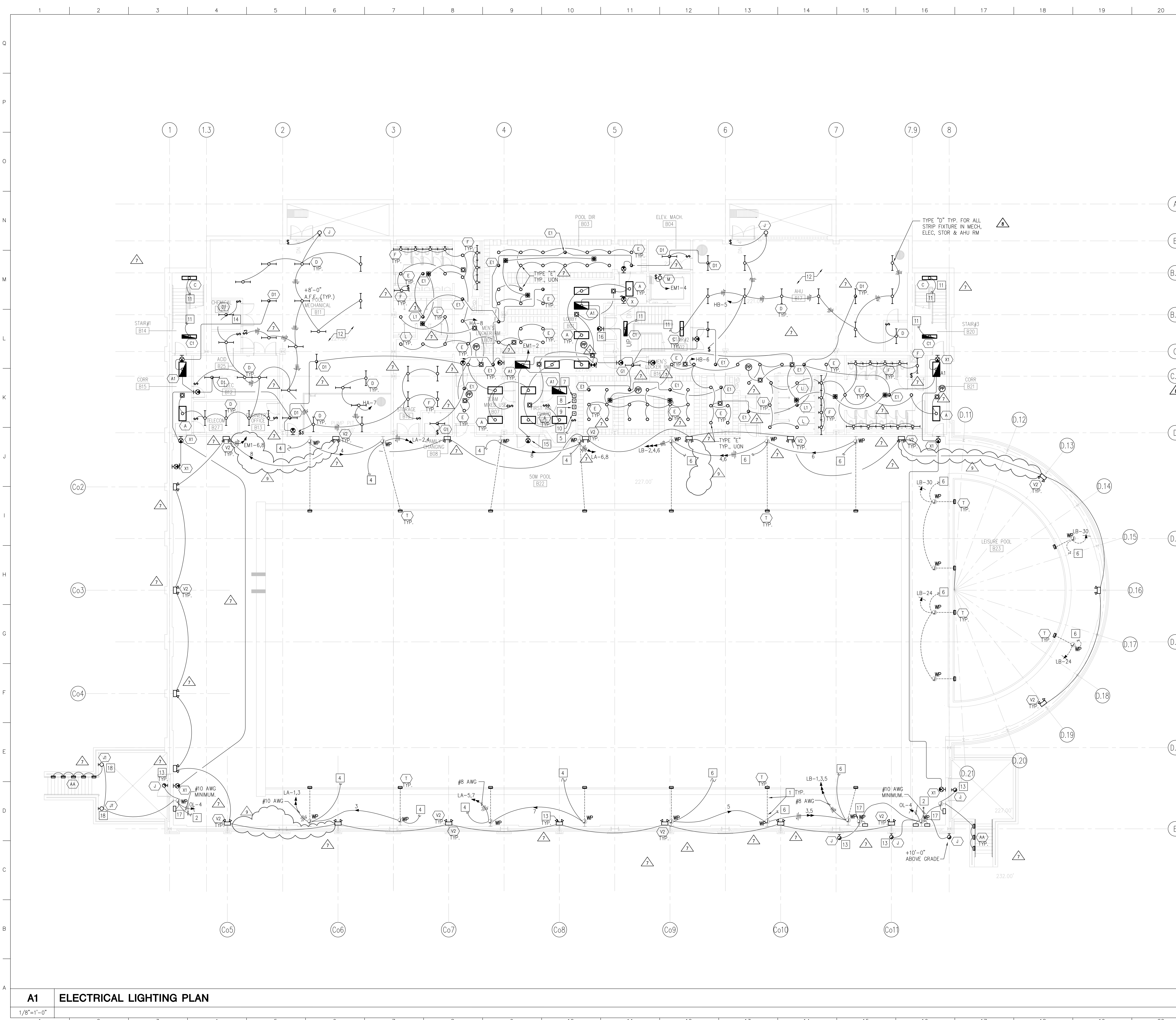
**Einhorh
Yaffee
Prescott** ARCHITECTURE & ENGINEERING, P.C.
 THE FLOOR MILL, 1000 POTOMAC ST., NW STE. 11
 WASHINGTON, D.C. 20007 (202) 471-5500
 ALBANY, NY BOSTON, MA WEST PLAINS, NY
 NEW YORK, NY LOS ANGELES, CA

TAKOMA RECREATION CENTER
 300 VAN BUREN STREET, NW
 DEPARTMENT OF PARKS AND RECREATION
 3149 16th Street, NW
 Washington, DC 20010
 (202) 673-7647

THE JAIN LYNCH COMPANIES ALPHA CORPORATION
 1508 U Street, NW 3700 Koppers Street
 Washington, DC 20009 Baltimore, MD 21227
 (202) 462-1092 (410) 646-3044

drawing title
ELECTRICAL SITE PLAN

seal	designed by DD/DIT	project no. 2001038.00
	drawn by DH	CAD file no. elec\plot\trc-e002.dwg
	checked by DT	drawing no.
	date 02/10/2003	E002
	scale 1" = 30'-0"	of



- ### KEYED NOTES
- 1 SWIMMING POOL CONTRACTOR TO TERMINATE CONDUIT BEYOND LOOP. REFER TO DRAWING SP1.3 FOR DETAIL. PROVIDE WEATHERPROOF JUNCTION BOX AND SCHEDULE 40 PVC TO POINT COORDINATED WITH SWIMMING POOL CONTRACTOR. LIGHT FIXTURE SHALL BE PROVIDED BY SWIMMING POOL CONTRACTOR. COORDINATE WITH SWIMMING POOL CONTRACTOR PRIOR TO ELECTRICAL ROUGH-IN.
 - 2 VIA LIGHTING CONTACTOR LC-0L.
 - 3 NOT USED.
 - 4 VIA LIGHTING CONTACTOR LC-2.
 - 5 TO TYPE "K" FIXTURES OVER POOL SPECTATOR SEATING. SEE E101 FOR CONTINUATION.
 - 6 VIA LIGHTING CONTACTOR LC-4.
 - 7 PUSH BUTTON SWITCH FOR LC-1.
 - 8 PUSH BUTTON SWITCH FOR LC-2.
 - 9 PUSH BUTTON SWITCH FOR LC-3.
 - 10 PUSH BUTTON SWITCH FOR LC-4.
 - 11 UP TO LIGHT FIXTURE ON FIRST FLOOR. SEE E101 FOR CONTINUATION.
 - 12 CONTRACTOR SHALL COORDINATE LIGHT FIXTURE LOCATIONS WITH MECHANICAL EQUIPMENT AND DUCTWORK IN THIS AREA. WHERE FIXTURES ARE TO BE MOUNTED UNDER DUCTWORK, MOUNT AT 8'-0" A.F.F..
 - 13 COORDINATE MOUNTING HEIGHTS WITH ARCHITECT PRIOR TO ELECTRICAL ROUGH-IN.
 - 14 WIRE BATTERY BACKUP AHEAD OF LOCAL SWITCHING.
 - 15 +90" TO BOTTOM OF FIXTURE.
 - 16 +88" TO BOTTOM OF FIXTURE.
 - 17 PROVIDE WEATHERPROOF JUNCTION BOX AND WEATHERPROOF ENCLOSURE FOR EMERGENCY LIGHT FIXTURE TYPE "J" REMOTE LOCATION BODINE B48C EMERGENCY FLOURESCENT BALLAST (OR EQUIVALENT) WITH FLEXIBLE WHIPS. INTERCONNECTION CABLE IN MINIMUM 1/2" CONDUIT BETWEEN LIGHT FIXTURE AND JUNCTION BOX SHALL NOT EXCEED 7'-6" IN LENGTH. COORDINATE EXACT LOCATION WITH ARCHITECT PRIOR TO ELECTRICAL ROUGH-IN.
 - 18 +8'-0" TO TOP OF FIXTURE.
 - 19 NOT USED.

- ### GENERAL NOTES
1. ALL SWIMMING POOL AREA LIGHTS, COMMON AREA LIGHTS AND OUTDOOR LIGHTS SHALL BE CONTROL FROM FIRST AID/ GUARD OFFICE.
 2. ALL STAIRWELL LIGHTS ARE TO BE UNSWITCHED.
 3. COORDINATE WALL MOUNTED DEVICE AND LIGHT FIXTURE LOCATIONS WITH ARCHITECTURAL ELEVATIONS PRIOR TO ELECTRICAL ROUGH-IN.
 4. WIRE ALL TYPE "V", "V1" & "V2" BATTERY PACK LIGHT FIXTURES AHEAD OF LOCAL SWITCHING.
 5. FOR ALL LIGHT FIXTURES WITH EMERGENCY BATTERY BACKUP, WIRE BATTERY AHEAD OF LOCAL SWITCHING.

REVISED CONSTRUCTION DOCUMENT

no.	revisions/submissions/last update	date
1	Schematic Design Submission	11/21/01
2	Design Development Submission	02/01/02
3	Permit Set	04/29/02
4	Bid Set- Not For Construction	06/14/02
5	Construction Document	06/21/02
6	V.E. BID SET	11/22/02
7	AFTER V.E.- BID SET	02/07/03
8	LIGHTING CONTROL/POOL LIGHTING REVISION	01/15/04
9	LIGHTING REVISION	03/19/04

Einhorn Yaffee Prescott
 ARCHITECTURE & ENGINEERING, P.C.
 THE FLORENCE MILL, 3000 POTOMAC ST., NW #250
 WASHINGTON, D.C. 20009 (202) 491-3500
 ALBANY, NY; BOSTON, MA; WHITE PLAINS, NY; NEW YORK, NY; LOS ANGELES, CA

TAKOMA RECREATION CENTER
 300 VAN BUREN STREET, NW
 DEPARTMENT OF PARKS AND RECREATION
 3148 16th Street, NW
 Washington, DC 20009
 (202) 673-7647

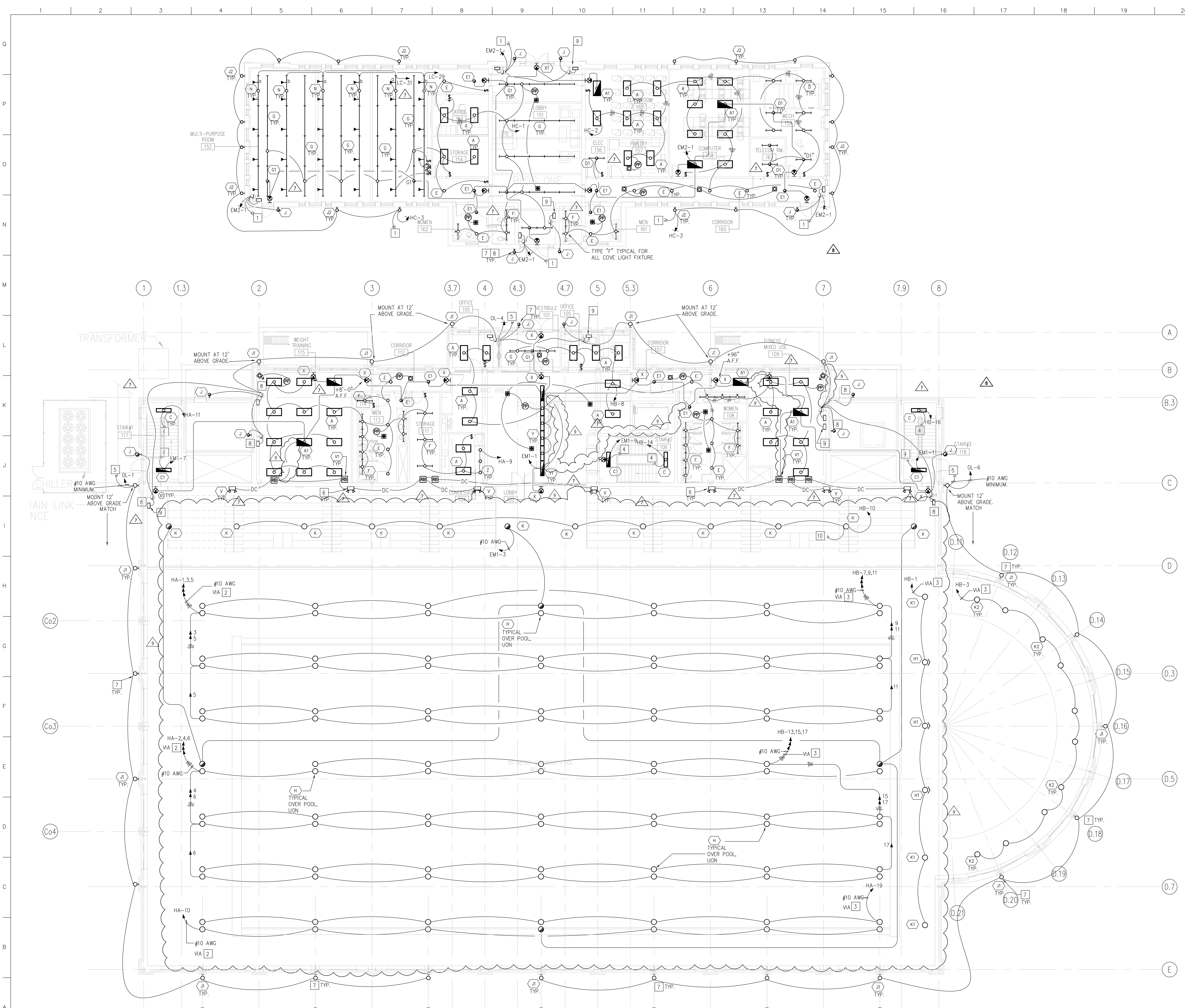
THE JAIR LYNCH COMPANIES ALPHA CORPORATION
 1508 U Street, NW 3700 Koppers Street
 Washington, DC 20009 Baltimore, MD 21227
 (202) 462-1092 (410) 646-3044

drawing title
BASEMENT FLOOR - LIGHTING PLAN

seal	designed by	project no.
	DD/PS	201038.00
	drawn by	CAD file no.
	DH/PS	g:\elec\plot\trc-e100.dwg
	checked by	drawing no.
	DT	
	date	
	02/10/2003	
	scale	
	1/8" = 1'-0"	

E100
of

A1 ELECTRICAL LIGHTING PLAN
 1/8" = 1'-0"



KEYED NOTES

- 1 VIA LIGHTING CONTACTOR LC-0L2 IN OFFICE 153. SEE DRAWING E201 FOR CONTINUATION.
- 2 VIA LIGHTING CONTACTOR LC-1. SEE DRAWING E401 FOR LOCATION.
- 3 VIA LIGHTING CONTACTOR LC-3. SEE DRAWING E200 FOR LOCATION.
- 4 DOWN TO BASEMENT LEVEL LIGHT FIXTURE. SEE E100 FOR CONTINUATION.
- 5 VIA LIGHTING CONTACTOR LC-0L.
- 6 MOUNT TYPE "V" FIXTURE 8' ABOVE TOP BLEACHER RISER (TYP). COORDINATE EXACT LOCATION WITH MECHANICAL SHAFTS AND DUCTWORK.
- 7 MOUNTED SUCH THAT TOP OF FIXTURE IS 9'-0" ABOVE GRADE. COORDINATE WITH ARCHITECT PRIOR TO ELECTRICAL ROUGH-IN.
- 8 WIRE BATTERY BACKUP AHEAD OF LOCAL SWITCHING.
- 9 PROVIDE JUNCTION BOX ABOVE ACCESSIBLE CEILING FOR EMERGENCY LIGHT FIXTURE TYPE "J" REMOTE LOCATION BODINE B48C EMERGENCY FLUORESCENT BALLAST (OR EQUIVALENT) WITH FLEXIBLE WHIPS. INTERCONNECTION CABLE IN MINIMUM 1/2" CONDUIT BETWEEN LIGHT FIXTURE AND JUNCTION BOX SHALL NOT EXCEED 7'-6" IN LENGTH. COORDINATE EXACT LOCATION WITH ARCHITECT PRIOR TO ELECTRICAL ROUGH-IN.
- 10 TO SWITCH IN GUARD ROOM ON LOWER LEVEL. SEE E100 FOR CONTINUATION.

GENERAL NOTES

- 1. ALL SWIMMING POOL AREA LIGHTS, COMMON AREA LIGHTS AND OUTDOOR LIGHTS SHALL BE CONTROLLED FROM FIRST AID / GUARD OFFICE.
- 2. ALL STAIRWELL LIGHTS ARE TO BE UNSWITCHED.
- 3. COORDINATE WALL MOUNTED DEVICE AND LIGHT FIXTURE LOCATIONS WITH ARCHITECTURAL ELEVATIONS PRIOR TO ELECTRICAL ROUGH-IN.
- 4. WIRE ALL TYPE "V", "VI", & "VZ" BATTERY PACK LIGHT FIXTURES AHEAD OF LOCAL SWITCHING.
- 5. FOR ALL LIGHT FIXTURES WITH EMERGENCY BATTERY BACKUP, WIRE BATTERY AHEAD OF LOCAL SWITCHING.

REVISED CONSTRUCTION DOCUMENT

no.	revisions/submissions/last update	date
1	Schematic Design Submission	11/21/01
2	Design Development Submission	02/01/02
3	Permit Set	04/29/02
4	Bid Set - Not For Construction	06/14/02
5	Construction Document	06/21/02
6	V.E. BID SET	11/22/02
7	AFTER V.E. - BID SET	02/07/03
8	LIGHTING CONTROL/POOL LIGHTING REVISION	01/15/04
9	LIGHTING REVISION	03/19/04

Einhorn Yaffee Prescott ARCHITECTURE & ENGINEERING, P.C.
 THE FLOOR MILL, 3000 POTOMAC ST., NW #500, WASHINGTON, D.C. 20009 (202) 471-5500
 ALBANY, NY; BOSTON, MA; WHITE PLAINS, NY; NEW YORK, NY; LOS ANGELES, CA

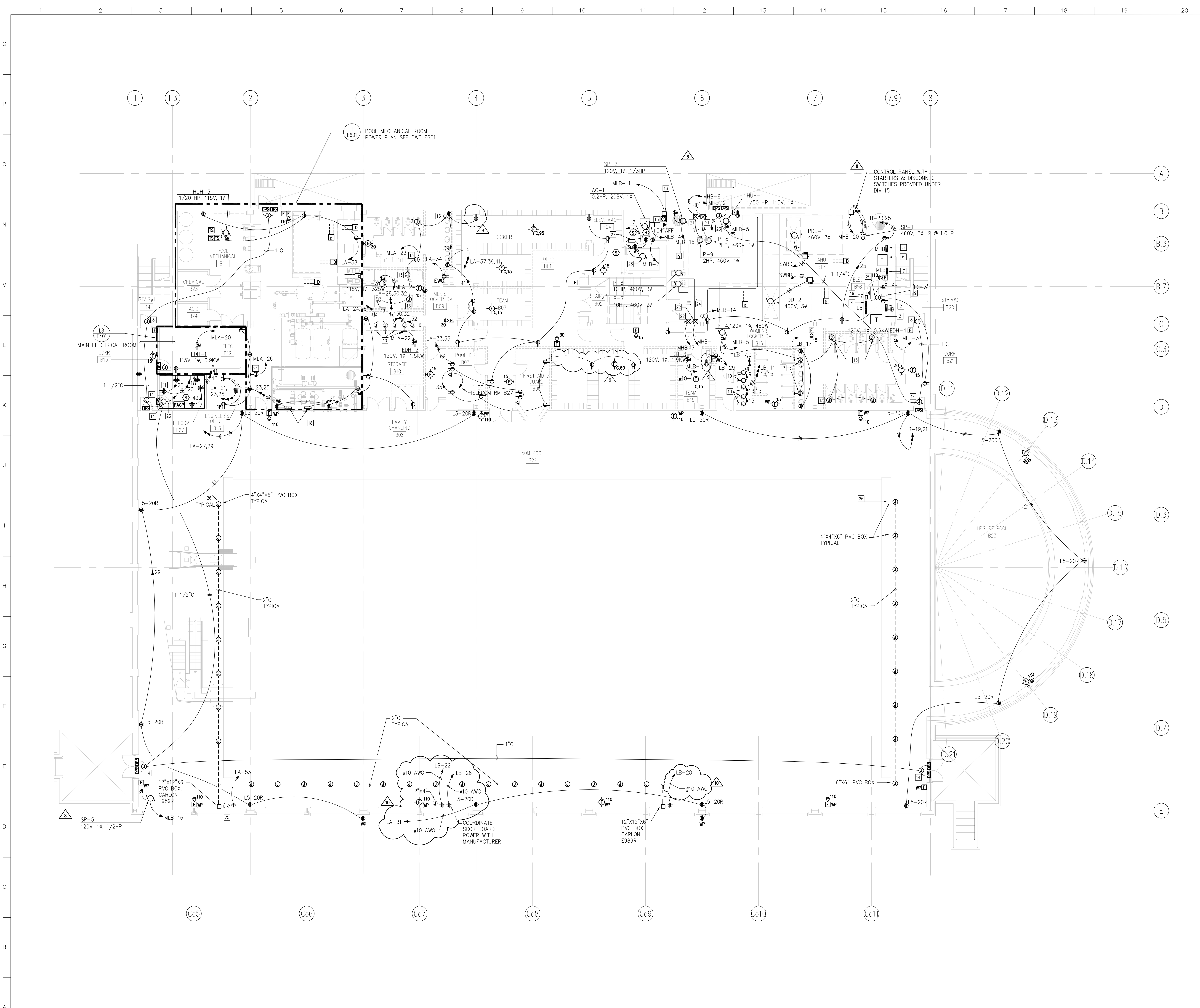
TAKOMA RECREATION CENTER
 300 VAN BUREN STREET, NW
 DEPARTMENT OF PARKS AND RECREATION
 3148 16th Street, NW
 Washington, DC 20009
 (202) 673-7647

THE JAIR LYNCH COMPANIES ALPHA CORPORATION
 1508 U Street, NW 3700 Koppers Street
 Washington, DC 20009 Baltimore, MD 21227
 (202) 462-1092 (410) 646-3044

drawing title **FIRST FLOOR - LIGHTING PLAN**

seal	designed by DD/PS	project no. 2001038.00
	drawn by DD/PS	CAD file no.
	checked by DD/PS	drawing no.
	date 02/10/2003	
	scale 1/8" = 1'-0"	
		E101

A1 ELECTRICAL LIGHTING PLAN
 1/8" = 1'-0"



KEYED NOTES

- 1 SWITCHBOARD "A" 1600A, 277/480V, 3ø, 4W AND GROUND
- 2 PANEL 225A, 277/480V, 3ø, 4W AND GROUND
- 3 TRANSFORMER 45KVA, 480-120/208V, 3ø, 4W
- 4 PANEL 225A, 120/208V, 3ø, 4W (2 SECTION)
- 5 PANEL 225A, 277/480V, 3ø, 4W AND GROUND
- 6 TRANSFORMER 30KVA, 480-120/208V, 3ø, 4W
- 7 PANEL 100A, 120/208V, 3ø, 4W AND GROUND
- 8 J. BOX FOR SECURITY CAMERA
- 9 FIRE ALARM CONTROL PANEL
- 10 J. BOX FOR HAND AND HAIR DRYER
- 11 TELEPHONE BACKBOARD FIRERATED (2) 4'X 7'
- 12 100A, 277/480V, 3ø, 4W AND GROUND
- 13 J. BOX FOR FAUCET POWER, COORDINATE WITH PLUMBING CONTRACTOR FOR EXACT LOCATION PRIOR TO INSTALLATION.
- 14 J. BOX FOR DOOR SECURITY
- 15 ELEVATOR SHUNT-TRIP C/B IN NEMA 1 ENCLOSURE. PROVIDE LOCKABLE DEVICE IN "OFF" POSITION.
- 16 240V, 3P, 3Ø NFSS ELEVATOR CAB LIGHT & CONTROL. PROVIDE LOCKABLE DEVICE IN "OFF" POSITION.
- 17 JUNCTION BOX FOR TELEPHONE CAB. PROVIDE 1" TO TELEPHONE CLOSET.
- 18 POOL WATER LEVEL CONTROLLER, 115V, 1ø, 0.75A.
- 19 PROVIDE ASCO 917 12 POLE LIGHTING CONTACTOR WITH 120V, 60HZ CONTROL OR EQUIVALENT IN NEMA 1 ENCLOSURE.
- 20 JUNCTION BOX FOR 120V COIL CONTROL CIRCUIT CONNECTION.
- 21 COMBINATION OF MOTOR STARTER NEMA SIZE 0 AND 30A, 3P, NFSS.
- 22 COMBINATION OF MOTOR STARTER NEMA SIZE 1 AND 30A, 3P, NFSS.
- 23 2" C WITH PULL WIRE TO SECURITY PANEL LOCATED IN BASEMENT TELECOM RM.
- 24 BAS AND DDC PANEL, 115V, 1ø. COORDINATE WITH DIV 15 BEFORE INSTALLATION.
- 25 1" C TO SCOREBOARD JUNCTION BOX. REFER TO DRAWING SP1.2 FOR EXACT LOCATION. COORDINATE WITH MANUFACTURER, ARCHITECT, AND OWNER PRIOR TO ELECTRICAL ROUGH-IN.
- 26 REFER TO DRAWING SP1.2 FOR MOUNTING DETAIL.
- 27 SUMP PUMP CONTROL PANEL, 115V, 1ø.
- 28 SUMP PUMP 115V, 1ø, 5A (.5HP).

GENERAL NOTES

1. COORDINATE WALL MOUNTED DEVICE LOCATIONS WITH ARCHITECTURAL ELEVATIONS PRIOR TO ELECTRICAL ROUGH-IN.
2. PROVIDE ALL GROUNDING AND BONDING PER NEC 680 AND SWIMMING POOL MANUFACTURER'S RECOMMENDATION. SEE DRAWING SP4.2 DETAIL 4 FOR TYPICAL SWIMMING POOL GROUNDING REQUIREMENT

REVISED CONSTRUCTION DOCUMENT

no.	revisions/submissions/last update	date
1	Schematic Design Submission	11/21/01
2	Design Development Submission	02/01/02
3	Permit Set	04/29/02
4	Bid Set - Not For Construction	06/14/02
5	Construction Document	06/21/02
6	V.E. BID SET	11/22/02
7	AFTER V.E. - BID SET	02/07/03
8	SUMP PUMP REV.	11/11/03
9	LOCKER RM RECEIPT, ADDITION	12/11/03
10	LIGHTING CONTROL/POOL LIGHTING REVISION	01/15/04

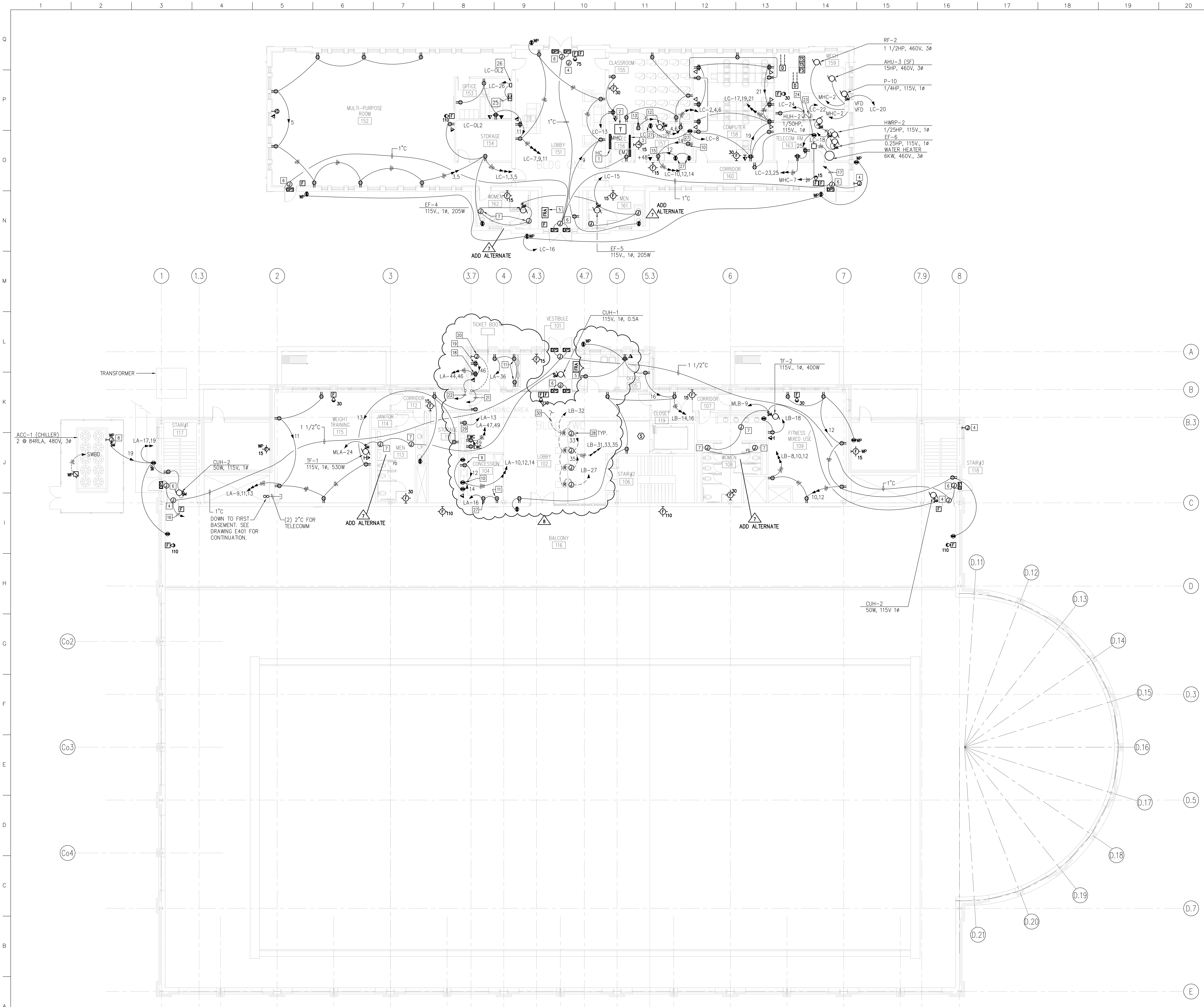
Einhorn Yaffee Prescott ARCHITECTURE & ENGINEERING, P.C.
 THE FLOPP MILL, 3000 POTOMAC ST., NW, WASHINGTON, D.C. 20009 (202) 471-5500
 ALBANY, NY; BOSTON, MA; WHITE PLAINS, NY; NEW YORK, NY; LOS ANGELES, CA

TAKOMA RECREATION CENTER
 300 VAN BUREN STREET, NW
 DEPARTMENT OF PARKS AND RECREATION
 3148 16th Street, NW
 Washington, DC 20009
 (202) 673-7647

THE JAIR LYNCH COMPANIES ALPHA CORPORATION
 1508 U Street, NW 3700 Koppers Street
 Washington, DC 20009 Baltimore, MD 21227
 (202) 462-1092 (410) 646-3044

drawing title
BASEMENT FLOOR - POWER PLAN

seal	designed by	project no.
	DD/DT	2001038.00
drawn by	CAD file no.	
DT	g:\elec\plot\trc-e200.dwg	
checked by	drawing no.	
DT		
date		
02/10/2003		
scale		
1/8" = 1'-0"		



- ### KEYED NOTES
- 1 PANEL 225A, 277/480V, 3ø, 4W AND GROUND
 - 2 TRANSFORMER 45KVA, 480-120/208V, 3ø, 4W
 - 3 PANEL 225A, 120/208V, 3ø, 4W AND GROUND (2 SECTION)
 - 4 J. BOX FOR SECURITY CAMERA
 - 5 FIRE ALARM ANNUNCIATOR PANEL
 - 6 J. BOX FOR DOOR SECURITY
 - 7 J. BOX FOR FAUCET POWER, COORDINATE WITH PLUMBING CONTRACTOR FOR EXACT LOCATION PRIOR TO INSTALLATION.
 - 8 J. BOX FOR HEAT TRACING 120V, 1ø.
 - 9 UNDERCOUNTER REFRIGERATOR 120V, 1ø, 1200W MAX.
 - 10 MICROWAVE, 120V, 1ø, 1.5KW MAX, +60" AFF.
 - 11 CASHIER EQUIPMENT, 120V, 1ø, +6" ABOVE COUNTER.
 - 12 DISPOSAL, 115V, 1ø, 1/3HP.
 - 13 WARMER, 120V, 1ø, 1.5KW.
 - 14 DISHWASHER, 120V, 1ø, 1.2KW MAX.
 - 15 REFRIGERATOR, 120V, 1ø, 1.2KW MAX.
 - 16 2°C WITH PULLWIRE TO SECURITY PANEL LOCATED IN TELECOM ROOM - BASEMENT LEVEL. COORDINATE WITH SECURITY CONTRACTOR.
 - 17 2°C WITH PULLWIRE TO SECURITY PANEL LOCATED IN TELECOM ROOM - FIRST FLOOR. COORDINATE WITH TELE? CONTRACTOR.
 - 18 PC COMPUTER & MONITOR, MOUNT 6" ABOVE COUNTER
 - 19 SECURITY MONITOR AND EQUIPMENT POWER, MOUNT 6" ABOVE COUNTER.
 - 20 SECURITY CONTROL, MOUNT 6" ABOVE COUNTER.
 - 21 1 1/4" C WITH PULLWIRE TO SECURITY PANEL LOCATED IN TELECOM ROOM - BASEMENT.
 - 22 1 1/4" EC WITH PULLWIRE TO ACCESSIBLE CEILING SPACE.
 - 23 FOR BAS, ODC PANEL, 115V, 1ø COORDINATE WITH DIV 15 BEFORE INSTALLATION.
 - 24 FOR VAV BOXES CONTROL XFMR, PRIMARY SIDE, 115V, 1ø. COORDINATE WITH DIV 15.
 - 25 TO PHOTOCELL LOCATED ON ROOF. SEE DRAWING E202.
 - 26 PROVIDE ASCO 917 6 POLE LIGHTING CONTACTOR WITH 120V, 60HZ CONTROL OR EQUIVALENT IN NEMA 1 CONTROLLER.
 - 27 1ø, 6" ABOVE COUNTER
 - 28 JUNCTION BOX POWER FOR SECURITY WALKWAY PANELS (120V, 1 PH, 600W).
 - 29 FARE CARD VENDING MACHINE (FUTURE).
 - 30 PROVIDE RELAY TO CONNECT WITH BUILDING FIRE ALARM CONTROL PANEL SUCH THAT GLASS PANELS OPEN IN CASE OF FIRE EMERGENCY. PROVIDE WIRING IN CONDUIT AS REQUIRED. COORDINATE WITH FIRE ALARM CONTRACTOR.

- ### GENERAL NOTES
1. COORDINATE WALL MOUNTED DEVICE LOCATIONS WITH ARCHITECTURAL ELEVATIONS PRIOR TO ELECTRICAL ROUGH-IN.

REVISED CONSTRUCTION DOCUMENT

no.	revisions/submissions/last update	date
1	Schematic Design Submission	11/21/01
2	Design Development Submission	02/01/02
3	Permit Set	04/29/02
4	Bid Set - Not For Construction	06/14/02
5	Construction Document	06/21/02
6	V.E. - BID SET	11/22/02
7	AFTER V.E. - BID SET	02/07/03
8	ACCESS CONTROL REVISION	01/15/04

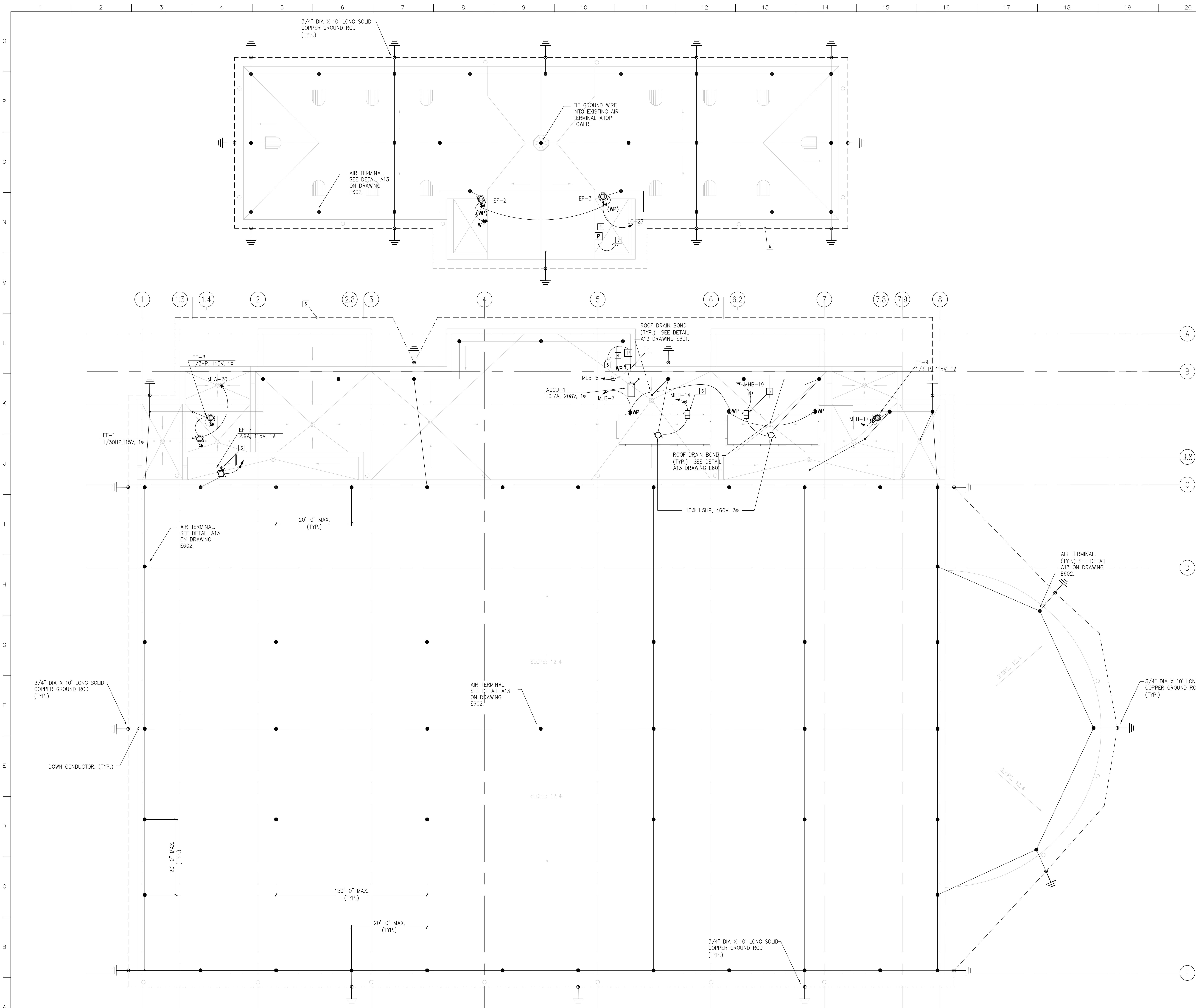
Einhorn Yaffee Prescott ARCHITECTURE & ENGINEERING, P.C.
 THE FLOREY HILL 1000 POTOMAC ST., NW, 5TH FL., WASHINGTON, D.C. 20008 (202) 471-5500
 ALBANY, NY; BOSTON, MA; WHITE PLAINS, NY; NEW YORK, N.Y.; LOS ANGELES, CA

TAKOMA RECREATION CENTER
 300 VAN BUREN STREET, NW
 DEPARTMENT OF PARKS AND RECREATION
 3148 16th Street, NW
 Washington, DC 20009
 (202) 673-7647

THE JAIR LYNCH COMPANIES ALPHA CORPORATION
 1508 U Street, NW 3700 Koppers Street
 Washington, DC 20009 Baltimore, MD 21227
 (202) 462-1092 (410) 646-3044

drawing title
FIRST FLOOR - POWER PLAN

seal	designed by	project no.
	DD/DI	201038.00
drawn by	CAD file no.	
DI	elecplot\trc-e201.dwg	
checked by	drawing no.	
DI		
date		
02/10/2003		
scale		
1/8" = 1'-0"		



- KEYED NOTES**
- 30A, 2P, FUSED @ 20A, NEMA 3R.
 - 30A, 3P, FUSED @ 25A FUSES, NEMA 3R.
 - VARIABLE SPEED CONTROLLER UNDER DIV 15.
 - PHOTOCELL FOR BUILDING EXTERIOR LIGHTING.
 - TO TIME CLOCK CONTROL LOCATED IN ROOM B12. SEE DRAWING E401.
 - GROUND WIRE DIRECT BURIED. TIE ALL ALL GROUND RODS IN TO THE SAME GROUNDING SYSTEM AS SHOWN.
 - TO TIME CLOCK CONTROL LOCATED IN OFFICE 153. SEE DRAWING E201.

- GENERAL NOTES**
- CONTRACTOR TO PROVIDE A COMPLETE LIGHTNING PROTECTION APPROVED BY UL 780. IN ADDITION, PROVIDE A DOWN CONDUCTOR FOR EVERY 60' AND CONNECTED TO A 5/8"x10" GROUND ROD. CONNECT ALL GROUND RODS TOGETHER, AND TIE TO THE MAIN ELECTRICAL SERVICE GROUND TO CREATE A SINGLE GROUND SYSTEM.

REVISED CONSTRUCTION DOCUMENT

no.	revisions/submissions/last update	date
1	Schematic Design Submission	11/21/01
2	Design Development Submission	02/01/02
3	Permit Set	04/29/02
4	Bid Set - Not For Construction	06/14/02
5	Construction Document	06/21/02
6	V.E. BID SET	11/22/02
7	AFTER V.E. - BID SET	02/07/03

Einhorn Yaffee Prescott ARCHITECTURE & ENGINEERING, P.C.
 THE FLOOR MILL, 1000 POTOMAC ST., NW STE. 113, WASHINGTON, D.C. 20009 (202) 471-5000
 ALBANY, NY; BROOKLINE, MA; WHITE PLAINS, NY; NEW YORK, NY; LOS ANGELES, CA

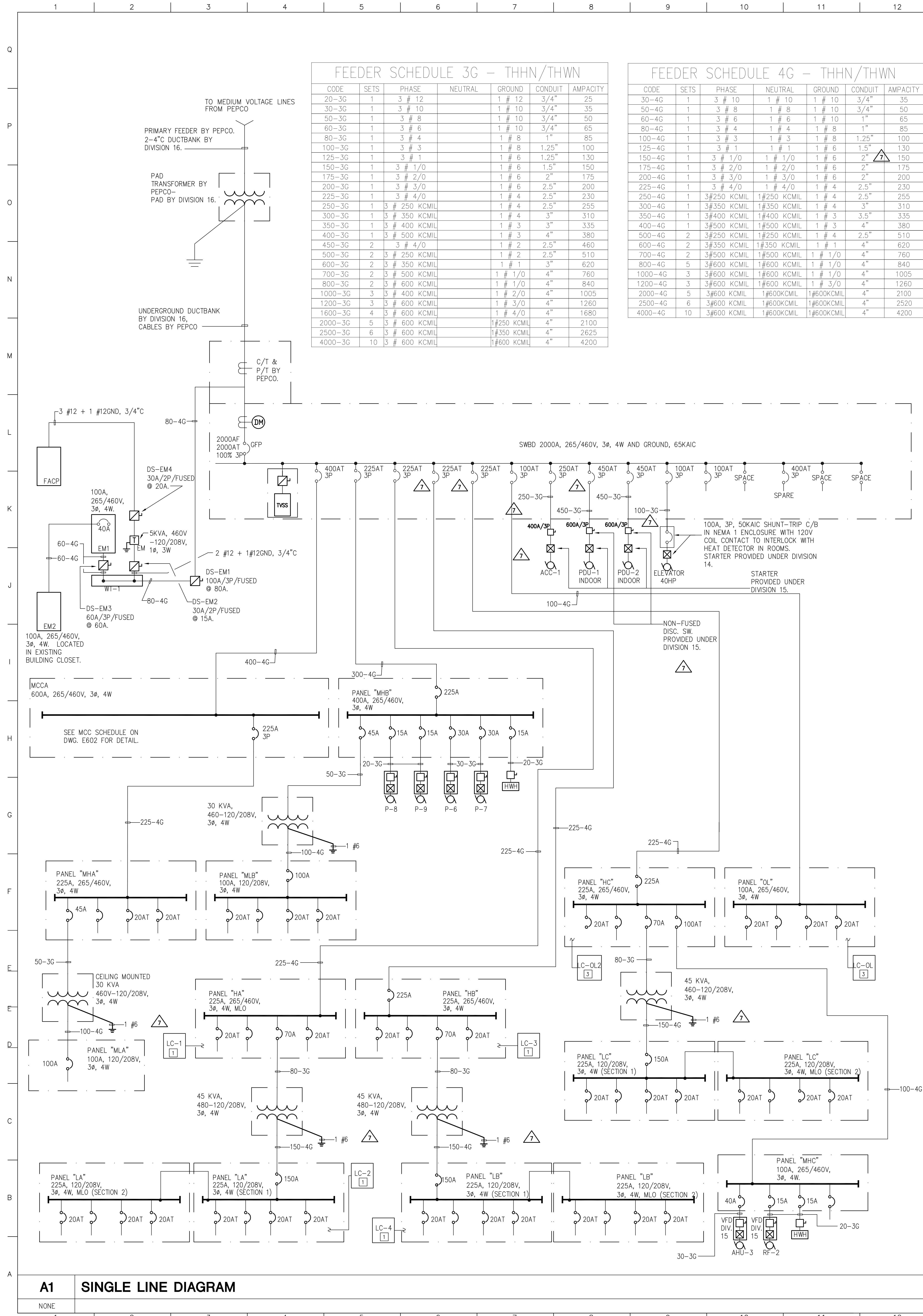
TAKOMA RECREATION CENTER
 300 VAN BUREN STREET, NW
 DEPARTMENT OF PARKS AND RECREATION
 3148 16th Street, NW
 Washington, DC 20009
 (202) 673-7647

THE JAIR LYNCH COMPANIES ALPHA CORPORATION
 1508 U Street, NW 3700 Koppers Street
 Washington, DC 20009 Baltimore, MD 21227
 (202) 462-1092 (410) 646-3044

drawing title: **ROOF FLOOR - POWER PLAN**

designed by: DD/DI project no.: 2001038.00
 drawn by: DD/DI CAD file no.:
 checked by: DD/DI drawing no.:
 date: 02/10/2003
 scale: 1/8" = 1'-0"
E202

A1 ELECTRICAL POWER PLAN
 1/8" = 1'-0"

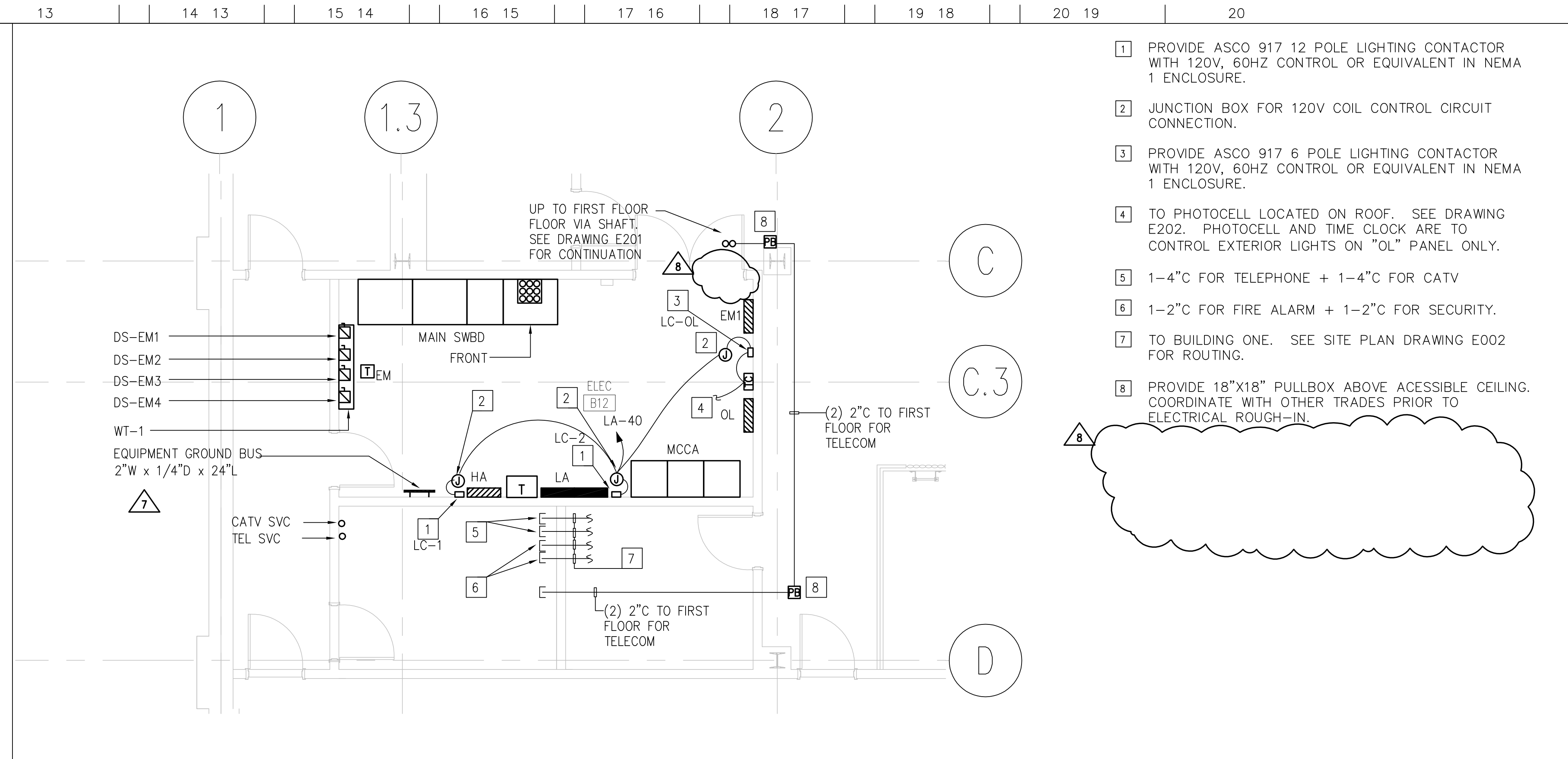


FEEDER SCHEDULE 3G - THHN/THWN

CODE	SETS	PHASE	NEUTRAL	GROUND	CONDUIT	AMPACITY
20-3G	1	3 # 12		1 # 12	3/4"	25
30-3G	1	3 # 10		1 # 10	3/4"	35
40-3G	1	3 # 8		1 # 8	3/4"	50
50-3G	1	3 # 6		1 # 6	3/4"	65
60-3G	1	3 # 4		1 # 4	3/4"	85
70-3G	1	3 # 3		1 # 3	1.25"	100
80-3G	1	3 # 1		1 # 1	1.25"	130
90-3G	1	3 # 1/0		1 # 6	1.5"	150
100-3G	1	3 # 2/0		1 # 6	2"	175
110-3G	1	3 # 3/0		1 # 6	2.5"	200
120-3G	1	3 # 4/0		1 # 4	2.5"	230
130-3G	1	3 # 250 KCMIL		1 # 4	2.5"	255
140-3G	1	3 # 350 KCMIL		1 # 4	3"	310
150-3G	1	3 # 400 KCMIL		1 # 3	3"	335
160-3G	1	3 # 500 KCMIL		1 # 3	4"	380
170-3G	2	3 # 4/0		1 # 2	2.5"	460
180-3G	2	3 # 250 KCMIL		1 # 2	2.5"	510
190-3G	2	3 # 350 KCMIL		1 # 1	3"	620
200-3G	2	3 # 500 KCMIL		1 # 1	4"	760
210-3G	2	3 # 600 KCMIL		1 # 1/0	4"	840
220-3G	3	3 # 600 KCMIL		1 # 1/0	4"	840
230-3G	3	3 # 600 KCMIL		1 # 2/0	4"	1005
240-3G	3	3 # 600 KCMIL		1 # 3/0	4"	1260
250-3G	4	3 # 600 KCMIL		1 # 4/0	4"	1680
260-3G	5	3 # 600 KCMIL		1 # 250 KCMIL	4"	2100
270-3G	6	3 # 600 KCMIL		1 # 350 KCMIL	4"	2625
280-3G	10	3 # 600 KCMIL		1 # 600 KCMIL	4"	4200

FEEDER SCHEDULE 4G - THHN/THWN

CODE	SETS	PHASE	NEUTRAL	GROUND	CONDUIT	AMPACITY
30-4G	1	3 # 10	1 # 10	1 # 10	3/4"	35
40-4G	1	3 # 8	1 # 8	1 # 8	3/4"	50
50-4G	1	3 # 6	1 # 6	1 # 6	1"	65
60-4G	1	3 # 4	1 # 4	1 # 4	1"	85
70-4G	1	3 # 3	1 # 3	1 # 3	1.25"	100
80-4G	1	3 # 1	1 # 1	1 # 1	1.5"	130
90-4G	1	3 # 1/0	1 # 1/0	1 # 6	2"	150
100-4G	1	3 # 2/0	1 # 2/0	1 # 6	2"	175
110-4G	1	3 # 3/0	1 # 3/0	1 # 6	2"	200
120-4G	1	3 # 4/0	1 # 4/0	1 # 4	2.5"	230
130-4G	1	3 # 250 KCMIL	1 # 250 KCMIL	1 # 4	2.5"	255
140-4G	1	3 # 350 KCMIL	1 # 350 KCMIL	1 # 4	3"	310
150-4G	1	3 # 400 KCMIL	1 # 400 KCMIL	1 # 3	3.5"	335
160-4G	1	3 # 500 KCMIL	1 # 500 KCMIL	1 # 3	4"	380
170-4G	2	3 # 250 KCMIL	1 # 250 KCMIL	1 # 4	2.5"	510
180-4G	2	3 # 350 KCMIL	1 # 350 KCMIL	1 # 1	4"	620
190-4G	2	3 # 500 KCMIL	1 # 500 KCMIL	1 # 1/0	4"	760
200-4G	5	3 # 600 KCMIL	1 # 600 KCMIL	1 # 1/0	4"	840
210-4G	3	3 # 600 KCMIL	1 # 600 KCMIL	1 # 1/0	4"	1005
220-4G	3	3 # 600 KCMIL	1 # 600 KCMIL	1 # 3/0	4"	1260
230-4G	5	3 # 600 KCMIL	1 # 600 KCMIL	1 # 600 KCMIL	4"	2100
240-4G	6	3 # 600 KCMIL	1 # 600 KCMIL	1 # 600 KCMIL	4"	2520
250-4G	10	3 # 600 KCMIL	1 # 600 KCMIL	1 # 600 KCMIL	4"	4200



- PROVIDE ASCO 917 12 POLE LIGHTING CONTACTOR WITH 120V, 60HZ CONTROL OR EQUIVALENT IN NEMA 1 ENCLOSURE.
- JUNCTION BOX FOR 120V COIL CONTROL CIRCUIT CONNECTION.
- PROVIDE ASCO 917 6 POLE LIGHTING CONTACTOR WITH 120V, 60HZ CONTROL OR EQUIVALENT IN NEMA 1 ENCLOSURE.
- TO PHOTOCELL LOCATED ON ROOF - SEE DRAWING E202. PHOTOCELL AND TIME CLOCK ARE TO CONTROL EXTERIOR LIGHTS ON "OL" PANEL ONLY.
- 1-4"C FOR TELEPHONE + 1-4"C FOR CATV
- 1-2"C FOR FIRE ALARM + 1-2"C FOR SECURITY.
- TO BUILDING ONE. SEE SITE PLAN DRAWING E002 FOR ROUTING.
- PROVIDE 18"X18" PULLBOX ABOVE ACCESSIBLE CEILING. COORDINATE WITH OTHER TRADES PRIOR TO ELECTRICAL ROUGH-IN.

L8 MAIN ELECTRIC ROOM

1/4"=1'-0"

MAIN SWITCHBOARD

BASIC OF DESIGN: SQUARE-D QED-2 SWBD
SIEMENS - SENTRON SB-3 SWBD

460Y/265 VOLT, 3Ø, 4-WIRE

MAIN BUS: 2000A
NEUTRAL BUS: 2000A
GROUND BUS: FULL SIZE

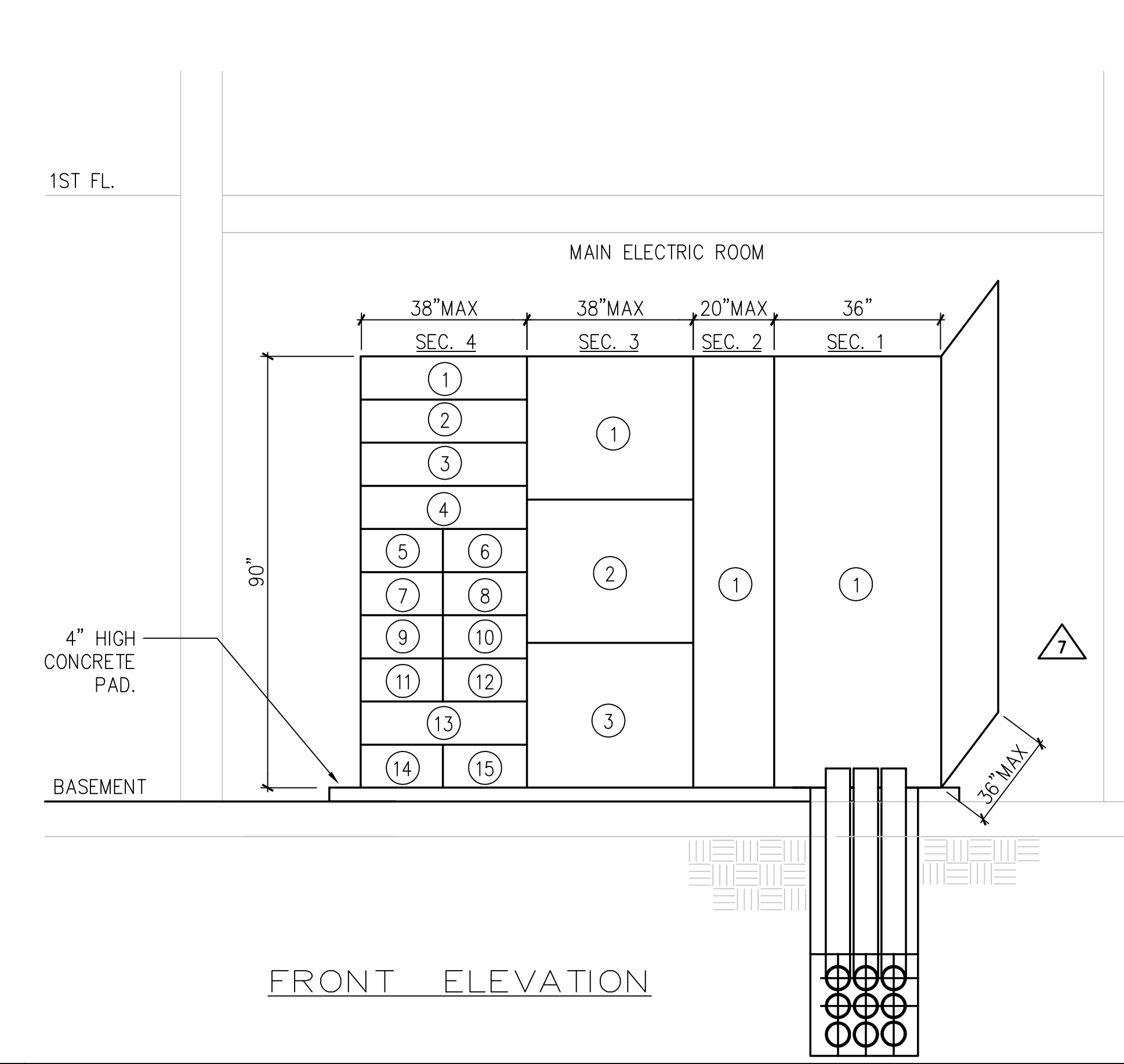
65 KAIC MINIMUM BUS BRACING GROUP MOUNTED DEVICES FOR BRANCHES INDIVIDUAL MOUNTED FOR MAIN. UL SERVICE ENTRANCE LISTED & LABELED

ABBREVIATIONS: M - MAIN PROTECTIVE DEVICE, F - FEEDER PROTECTIVE DEVICE, CT - CURRENT TRANSFORMER, IC - INCOMING LINE, S - SPARE, SP - BUSSED SPACE, ET - EMERGENCY TAP, TYPE - MC - MOLDED CASE, CB - MOLDED CASE, CB - HACR TYPE, DS - FUSIBLE DISCONNECT SWITCH, ACCESSORY - DMM - DIGITAL MULTIPLE METER WITH CT OPERATION, M - MANUAL, E - ELECTRIC, SST - SOLID STATE TRIP DEVICE, SFP - SINGLE PHASE PROTECTION, GF - GROUND FAULT PROTECTION, TVSS - TRANSIENT VOLTAGE SURGE SUPPRESSOR

EQUIPMENT	PROTECTIVE DEVICE										ITEM SERVED	DEMAND LOAD			
	SECT. NO.	UNIT NO.	ITEM	TYPE	POLE	CIRCUIT BEAKER FRAME (AMP)	TRIP (AMP)	SWITCH SIZE (AMP)	FUSE TYPE	FUSE SIZE (AMP)			MIN S/C AICS	OPERATION	ACCESSORY
1	(1)	IC/CT												PEPCO C/T'S & PT'S COMPARTMENT	
2	(1)	ET												EMERGENCY TAP WITH 2 HOURS FIRE RATED BARRIER	
3	(1)	M	MC	3	2000	2000				65,000		SST, GF		MAIN CIRCUIT BREAKER	
3	(2)	DS	3				60		60	200,000		TVSS		TVSS WITH INTEGRAL FUSED DISCONNECT SWITCH	
3	(3)											DMM		DIGITAL MULTIPLE METER PACKAGE	
4	(1)	F	MC-M	3	600	450				65,000	M			PDU-1 INDOOR UNIT	
4	(2)	F	MC-M	3	600	450				65,000	M			PDU-2 INDOOR UNIT	
4	(3)	F	MC-M	3	400	300				65,000	M			AIR COOL CHILLER - ACC-1	
4	(4)	F	MC	3	400	400				65,000	M			PANEL MCCA	
4	(5)	F	MC	3	225	225				65,000	M			PANEL MHB	
4	(6)	F	MC	3	225	225				65,000	M			PANEL HA	
4	(7)	F	MC	3	225	225				65,000	M			PANEL HB	
4	(8)	F	MC	3	225	225				65,000	M			PANEL HC	
4	(9)	F	MC	3	100	100				65,000	M			PANEL OL	
4	(10)	F	MC	3	100	100				65,000	M			ELEVATOR	
4	(11)	SP		3										BUSSED SPACE	
4	(12)	SP	MC	3	100	100				65,000	M			SPARE	
4	(13)	S	MC	3	400	400				65,000	M			SPARE	
4	(14)	SP		3										BUSSED SPACE	
4	(15)	SP		3										BUSSED SPACE	
											MAX BUILDING DEMAND	= 1186 KVA			

L8 MAIN SWITCHBOARD SCHEDULE

NO SCALE



J1 ELECTRIC SERVICE ENTRANCE DETAILS

NONE

REVISED CONSTRUCTION DOCUMENT

no.	revisions/submissions/last update	date
1	Schematic Design Submission	11/21/01
2	Design Development Submission	02/01/02
3	Permit Set	04/29/02
4	Bid Set - Not For Construction	06/14/02
5	Construction Document	06/21/02
6	V.E. BID SET	11/22/02
7	AFTER V.E. - BID SET	02/07/03
8	LIGHTING CONTROL/POOL LIGHTING REVISION	01/15/04

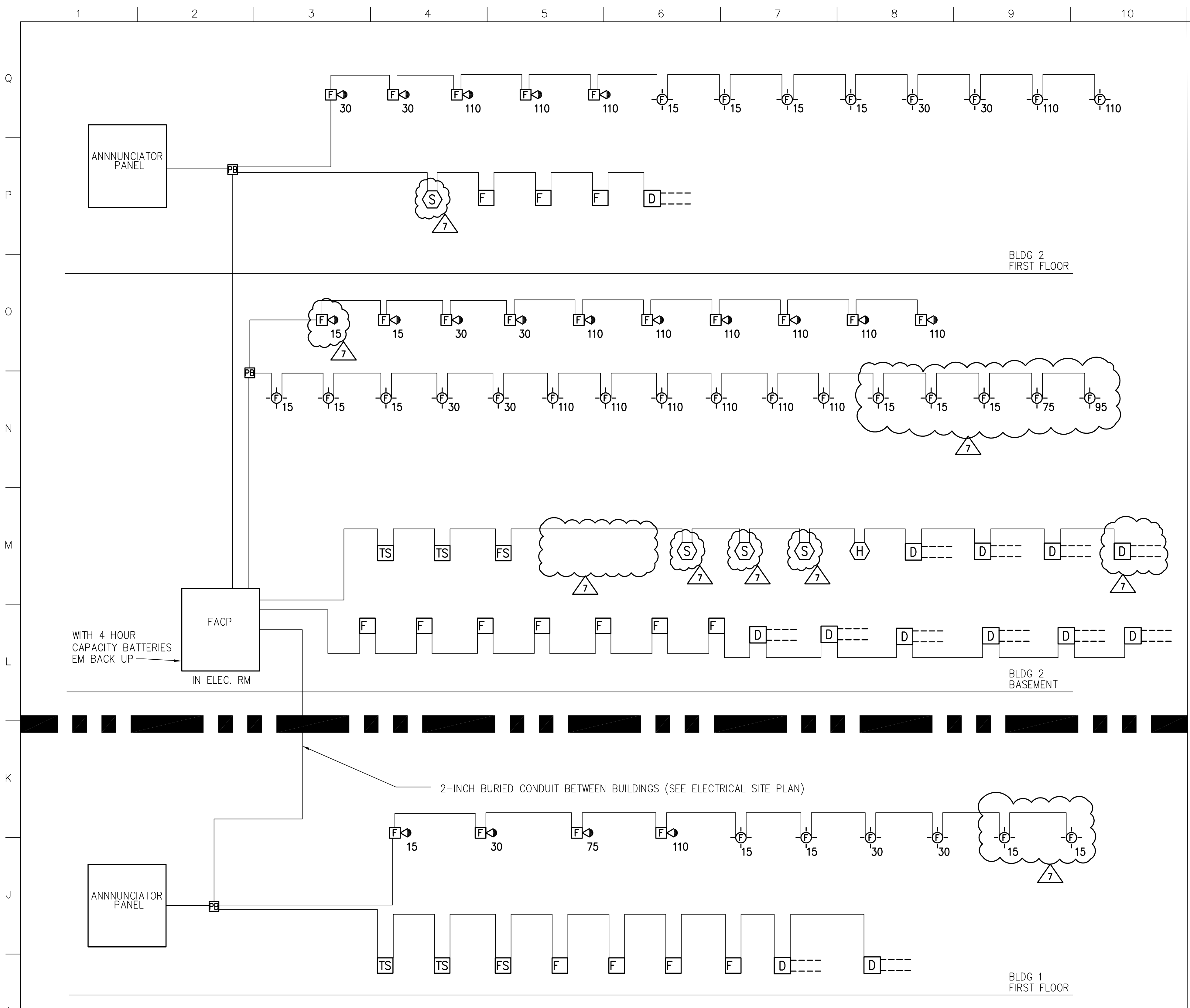
Einhorn Yaffee Prescott ARCHITECTURE & ENGINEERING, P.C.
WASHINGTON, D.C. 20004

TAKOMA RECREATION CENTER
300 VAN BUREN STREET, NW
DEPARTMENT OF PARKS AND RECREATION
3148 16th Street, NW
Washington, DC 20009
(202) 462-1092

THE JARR LYNCH COMPANIES ALPHA CORPORATION
1508 U Street, NW
Washington, DC 20009
(202) 462-1092

drawing title: **ELECTRICAL RISE DIAGRAM**

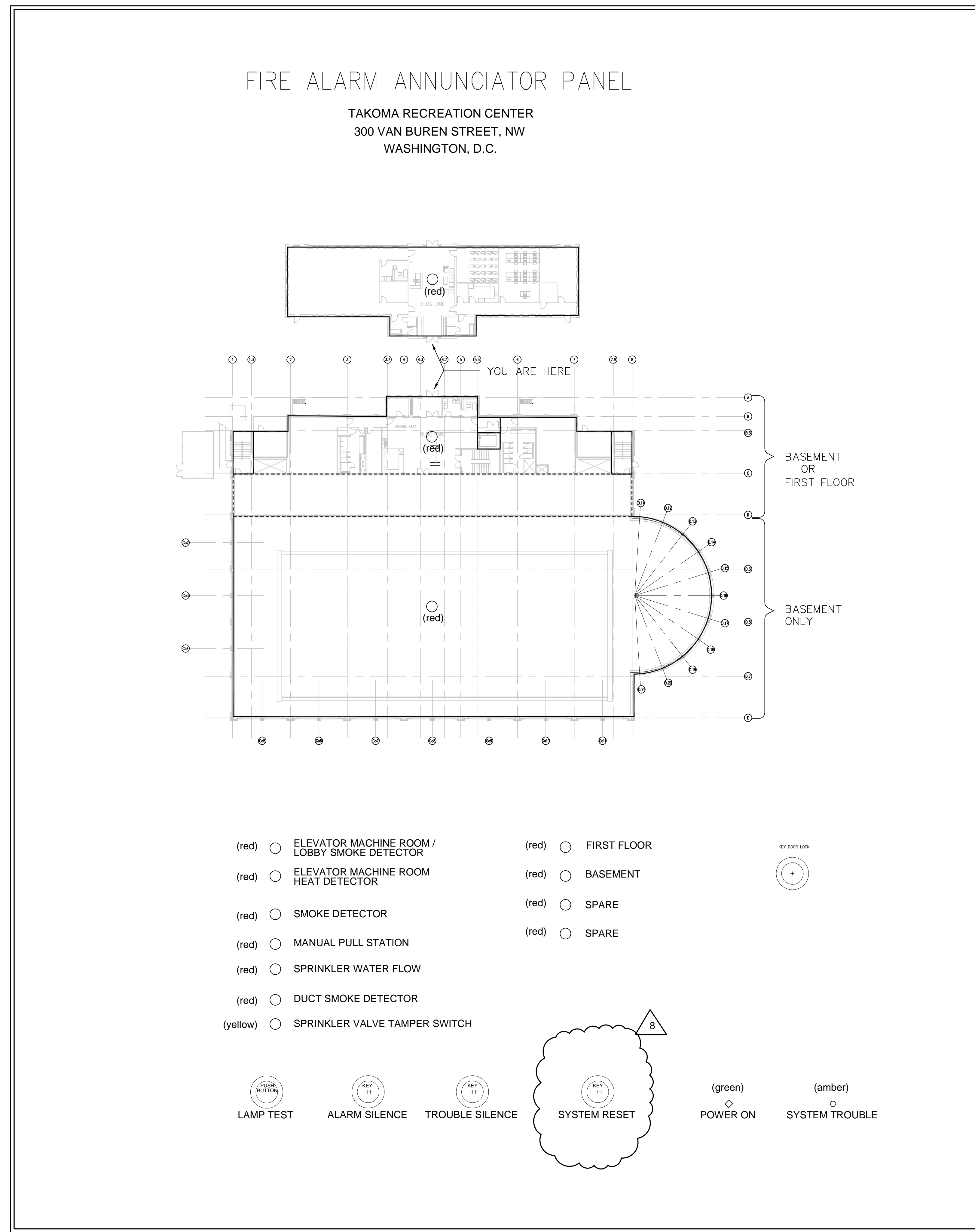
designed by: DD/DT project no.: 2010138.00
drawn by: CAD file no.:
checked by: DH/PL/elec/plot/lrc-e401.dwg
date: 02/10/2003
scale: **E401**



E.A. NOTE: REFER TO FLOOR PLANS FOR EXACT NUMBER OF F.A. DEVICE

H1 FIRE ALARM RISER DIAGRAM

NONE



NOTE: TYPICAL FOR BUILDING 1 & 2.

A11 FIRE ALARM GRAPHIC ANNUNCIATOR

NONE

REVISED CONSTRUCTION DOCUMENT

no.	revisions/submissions/last update	date
1	Schematic Design Submission	11/21/01
2	Design Development Submission	02/01/02
3	Permit Set	04/29/02
4	Bid Set - Not For Construction	06/14/02
5	Construction Document	06/21/02
6	V.E. BID SET	11/22/02
7	AFTER V.E.- BID SET	02/07/03
8	Keyed Reset Switch	04/31/03

Einhorn Yaffee Prescott ARCHITECTURE & ENGINEERING, P.C.
 THE FLOOR MILL, 1000 POTOMAC ST., NW STE. 11 WASHINGTON, D.C. 20007 (202) 971-3000
 ALBANY, NY BOSTON, MA WHITE PLAINS, NY NEW YORK CITY, NY LOS ANGELES, CA

TAKOMA RECREATION CENTER
 300 VAN BUREN STREET, NW
 DEPARTMENT OF PARKS AND RECREATION
 3149 16th Street, NW
 Washington, DC 20010
 (202) 873-7647

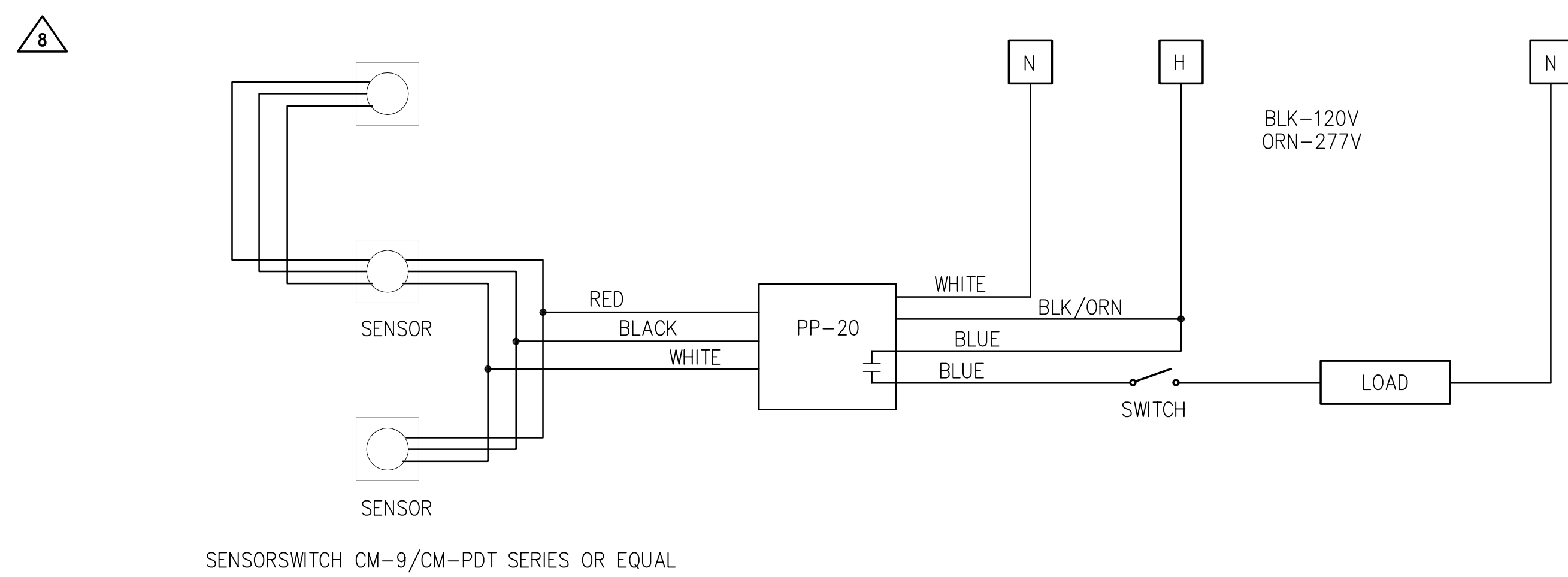
THE JARR LYNCH COMPANIES ALPHA CORPORATION
 1508 U Street, NW 3700 Koppers Street
 Washington, DC 20009 Baltimore, MD 21227
 (202) 462-1092 (410) 646-3044

FIRE ALARM AND TELECOMMUNICATION RISE DIAGRAM

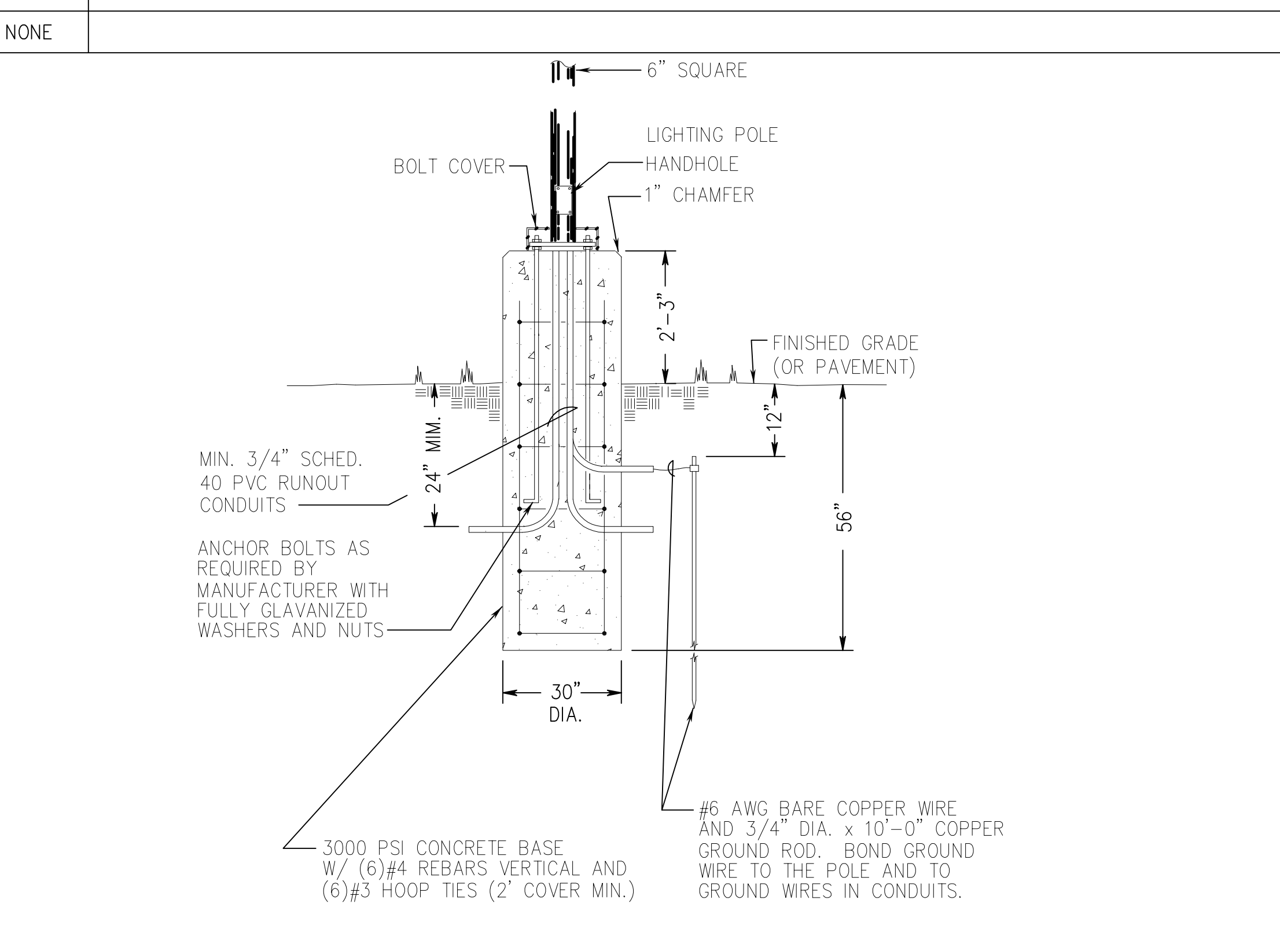
designed by	DD/BM	project no.	2001038.00
drawn by	DH	date	02/10/2003
checked by	DT	scale	
drawing title	E402		

LIGHTING FIXTURE SCHEDULE						
TYPE	DESCRIPTION	MOUNTING	LAMPS	VOLTS	MANUFACTURER AND CATALOG NUMBER	REMARKS
A	2'x4' PARABOLIC FIXTURE WITH 3" DEEP LOUVER, 18 CELLS	RECESSED	3-F32T8	277	COLUMBIA - P424-332SG-SP36-S-3EB8LH-277 LITHONIA LIGHTING - 2PM3N-G-B-332-18LD-277-GEB10 DAY-BRITE LIGHTING - 2P3GS-332-36FL-277-1/3-EB	PROVIDE EMERGENCY BATTERY PACK FOR TYPE "A1"
B	2'x2' PARABOLIC FIXTURE WITH 3" DEEP LOUVER, 9 CELLS	RECESSED	2-F32U6	277	COLUMBIA - P422-232UE6G-LD33-S-EB8LH-277 LITHONIA LIGHTING - 2PM3N-G-B-2U316-9LD-277-GEB10 DAY-BRITE LIGHTING - 2P3GS-231U6-33FL-277-1/2-EB	PROVIDE EMERGENCY BATTERY PACK FOR TYPE "B1"
C	2' WRAPAROUND ACRYLIC PRISMATIC LENS FLUORESCENT FIXTURE	SURFACE	2-F32T8	277	COLUMBIA - WC4-232-EB8LH-277-GLR-EL LITHONIA LIGHTING - LB232-277-ES-EL DAY-BRITE LIGHTING - 2P3GS-231U6-33-277-1/2-EB	PROVIDE EMERGENCY BATTERY PACK FOR TYPE "C1"
D	INDUSTRIAL FLUORESCENT FIXTURE	SUSPEND CHAIN HANGING	2-F32T8	277	COLUMBIA - KL4-332-ST-EBB-277 LITHONIA LIGHTING - L232-277-EOB10-WGL-HC DAY-BRITE LIGHTING - IS232-277-1/2EB	PROVIDE EMERGENCY BATTERY PACK FOR TYPE "D1"
E	COMPACT FLUORESCENT DOWNLIGHT WITH PARABOLIC LOUVER	RECESSED	2-180TT 2-180QUAD CFL	277	LITHONIA LIGHTING - AFZ2180TT84A277 OMEGA LIGHTING - OMB2H180PLXB-CS-277	PROVIDE EMERGENCY BATTERY PACK FOR TYPE "E1"
F	STRIP FLUORESCENT FIXTURE	SURFACE	2-F32T8	277	COLUMBIA - CS4-132-EB8LH277 LITHONIA LIGHTING - C-132-277-GEB10 DAY-BRITE LIGHTING - T132-277	
G	STRIP FLUORESCENT	SUSPEND CHAIN	2-F32T8	277	LITHONIA EJ-2-32-277-GEB-10IS	PROVIDE EMERGENCY BATTERY PACK FOR TYPE "G1"
H	HIGH BAY INDUSTRIAL	SUSPEND CHAIN	250W-MH	277	LITHONIA TE-250M-E17-277-W	BOTTOM OF FIXTURE 30'-0" ABOVE POOL SURFACE
H1	ADJUSTABLE ALUMINUM FIXTURE WITH ASYMMETRIC REFLECTOR, GLASS LENS, BAFFLE LOUVER, INTEGRAL BALLAST AND WHITE NATATORIUM GRADE FINISH.	PENDENT 24FT AFF (BOTTOM) AIM DOWN	(1) 400W METAL HALIDE	277	WINONA LIGHTING "WINDIRECT SERIES" # P1-LSW-M400-LM1/MD-SGW/NAT-SB/WH-277-MOD	PROVIDE NATATORIUM-GRADE WHITE FINISH ON ALL EXPOSED PARTS. PROVIDE WITH U.L. WET LABEL
H2	NOT USED					
J	111 EMERGENCY LIGHTING (EMERGENCY WHERE INDICATED WITH BATTERY BACKUP - OTHERWISE NORMAL)	WALL	(1) 42CFL	277	LITHONIA TWAC-42TRT-277	COORDINATE MOUNTING HEIGHTS WITH ARCHITECT AND PLANS. COORDINATE REMOTE EMERGENCY BATTERY BACKUP WITH ARCHITECT.
J1	100 FORWARD THROW DISTRIBUTION	WALL	(1) 175MH	277	LITHONIA TWP-175M-277	COORDINATE MOUNTING HEIGHTS WITH ARCHITECT AND PLANS
J2	100 FORWARD THROW DISTRIBUTION	WALL	(1) 100MH	277	LITHONIA TWP-175M-277	MOUNT 9'-0" A.G. TO TOP OF FIXTURE
K1	ALUMINUM CYLINDER FIXTURE, NOMINAL 13" DIAMETER WITH GLASS FRESNEL LENS, INTEGRAL BALLAST, QUARTZ-RESTRIKIE AND WHITE NATATORIUM GRADE FINISH.	PENDENT 30FT AFF (BOTTOM)	(1) 250W METAL HALIDE (1) 100W QUARTZ	277	LITHONIA LIGHTING "CEP SERIES" # CEP13-250M-277-QRS-DWH/NAT/MD ESCO LIGHTING - 7000 SERIES	PROVIDE NATATORIUM-GRADE WHITE FINISH ON ALL EXPOSED PARTS. PROVIDE WITH U.L. WET LABEL
K2	ALUMINUM CYLINDER FIXTURE, NOMINAL 13" DIAMETER WITH GLASS FRESNEL LENS, INTEGRAL BALLAST, AND WHITE NATATORIUM GRADE FINISH.	PENDENT 28FT AFF (BOTTOM)	(1) 175W METAL HALIDE	277	LITHONIA LIGHTING "CEP SERIES" # CEP13-175M-277-DWH/NAT/MD ESCO LIGHTING - 7000 SERIES	PROVIDE NATATORIUM-GRADE WHITE FINISH ON ALL EXPOSED PARTS. PROVIDE WITH U.L. WET LABEL
K	HIGH BAY LUMINAIRE LIGHTING FIXTURE	SUSPEND CHAIN	(1) 175W METAL HALIDE	277	DAY-BRITE/BENJAMIN BHB-17-MH-27-E	
L	COMPACT FLUORESCENT DOWNLIGHT WITH LENS (FOR WET LOCATION)	RECESSED	(2) 30W	277	LITHONIA LIGHTING - LGF-2/180TT-TRW-CHL-120GEB	PROVIDE EMERGENCY BATTERY PACK FOR TYPE "L1"
M	NON-METALLIC VAPORITE SERIES LIGHT FIXTURE (ELVATOR PIT)	WALL	(1) 100W	277	HUBBEL LIGHTING - NVB15GG	
N	DOWN TRACK LIGHTS	SUSPEND CHAIN	50W-PAR20	120	INDY LIGHTING-111TB	PROVIDE DIMMER SWITCH
P	STEP LIGHTS	RECESSED	2-213TF	277	MC-PHILBEN 942-C-213TF-LV-277-BLP-F	
S1	LIGHT POLE WITH SINGLE ARM-MOUNT CUTOFF LUMINAIRE HAVING TYPE 3 OPTICS AND FLAT POLYCARBONATE LENS. PROVIDE WITH 30FT SQUARE STEEL NON-TAPERED POLE. (PROVIDE FIXTURE WITH PHOTOCELL)	CONCRETE ANCHOR BASE	(1) 400W METAL HALIDE	277	KIM LIGHTING "ET SERIES" #1A-ET5-400SMH277-DB-P-A25 #KSS25-5180-A-BLP (POLE)	U.L. LISTED SUITABLE FOR WET LOCATIONS DARK BRONZE FINISH
S2	LIGHT POLE WITH DOUBLE ARM-MOUNT CUTOFF LUMINAIRE HAVING TYPE 3 OPTICS AND FLAT POLYCARBONATE LENS. PROVIDE WITH 30FT SQUARE STEEL NON-TAPERED POLE. (PROVIDE FIXTURE WITH PHOTOCELL)	CONCRETE ANCHOR BASE	(2) 400W METAL HALIDE	277	KIM LIGHTING "ET SERIES" #1A-ET5-400SMH277-DB-P-A25 #KSS25-5180-A-BLP (POLE)	U.L. LISTED SUITABLE FOR WET LOCATIONS DARK BRONZE FINISH
T	UNDER WATER POOL LIGHT	WALL	1	120	PROVIDED BY SWIMMING POOL CONTRACTOR	REFER TO DWG. SPI.3 FOR DETAILS
U	DOWNLIGHT/HEAT LAMP	RECESSED	(1) 125W BR40	277	COOPER/HALO - H7T-30RGAT 41157	HEAT LAMP. PROVIDE 277/120V TRANSFORMER AS LIGHTING MANUFACTURE SPECIFICATIONS

LIGHTING FIXTURE SCHEDULE (CONTINUED)						
TYPE	DESCRIPTION	MOUNTING	LAMPS	VOLTS	MANUFACTURER AND CATALOG NUMBER	REMARKS
V	REMOTE EMERGENCY TWO HEAD FIXTURE	WALL	(2) 12W H	12V DC	LITHONIA ELA - T-P18-H1212-WP	FOR EMERGENCY LIGHTING IN POOL AREAS - WEATHER PROOF
V1	ENCLOSED 50 WATTS EMERGENCY BATTERY UNIT	CEILING	-	277/12V	LITHONIA TITAN SERIES ELT50N-RO	REMOTE BATTERY MOUNTED IN ACCESSIBLE CEILING AS SHOWN ON DRAWINGS
V2	EMERGENCY LIGHT WALL PACK WITH TWO HEADS	WALL	(2) 8W H	277/6V	LITHONIA 6ELM2P N-H OR EQUAL	FOR EMERGENCY LIGHTING IN POOL AREAS - WEATHER PROOF
X1	EXIT LIGHT	WALL	1	277	HUBBELL CWARW-L-9-FA1-AC	FACES AND ARROWS INDICATED ON DRAWINGS PROVIDE WEATHER-PROOF UNIT IN POOL AREA
X2	EXIT LIGHT	CEILING	1	277	HUBBELL CWARW-L-9-FA1-AC	FACES AND ARROWS INDICATED ON DRAWINGS PROVIDE WEATHER-PROOF UNIT IN POOL AREA
Y	4' PENDANT INDIRECT / DIRECT	PENDANT	2-F32T5HO	277	METALUMEN C2S-B-4-C-L-1-W-6-277	MOUNTED AT 18.9" BELOW STRUCTURAL CEILING. PROVIDE EMERGENCY BATTERY PACK FOR TYPE "Y1"
Z	6" RECESSED DOWNLIGHT	RECESSED	1/26DTT	277	LITHONIA 1/26DTT-6AR-277-GEB	ABOVE CONCESSION COUNTER
AA	STEP LIGHT	RECESSED	20W G4	120/12V	BEGA-2095	COORDINATE WITH ARCHITECTURAL ELEVATIONS PRIOR TO ELEC. ROUGH-IN
BB	NOT USED					

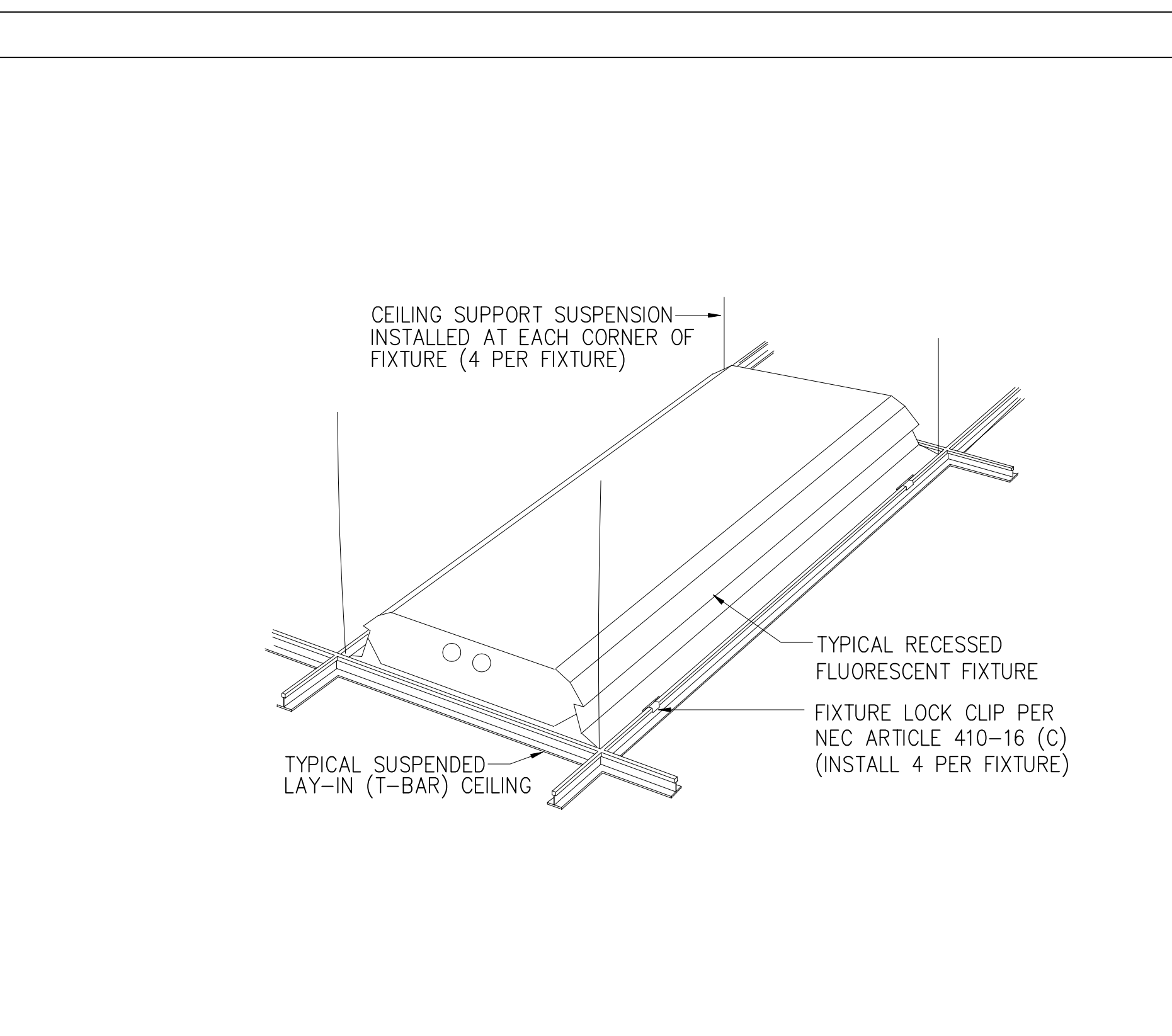


E1 LIGHTING FIXTURE SCHEDULE



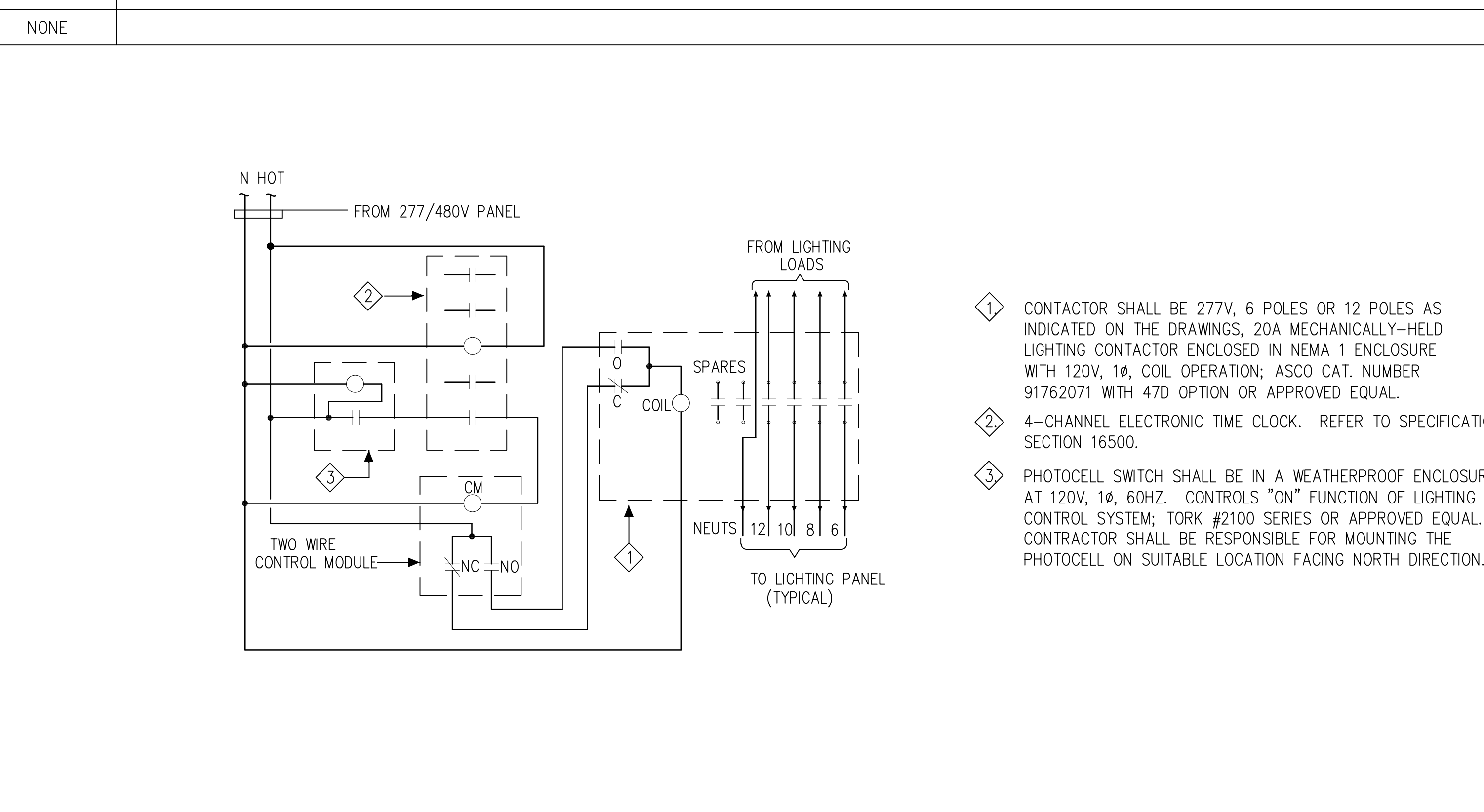
E2 POLE BASE MOUNTING DETAIL FOR SITE LIGHTING

E3 TYPICAL RECESSED LAY-IN MOUNTING DETAIL



E3 TYPICAL RECESSED LAY-IN MOUNTING DETAIL

E5 TYPICAL CEILING MOUNTED MULTIPLE OCCUPANCY SENSOR WIRING DIAGRAM



E4 TYPICAL LIGHTING CONTROL WITH CLOCK AND PHOTOCELL

REVISED CONSTRUCTION DOCUMENT

no.	revisions/submissions/last update	date
1	Schematic Design Submission	11/21/01
2	Design Development Submission	02/01/02
3	Permit Set	04/29/02
4	Bid Set - Not For Construction	06/14/02
5	Construction Document	06/21/02
6	V.E. BID SET	11/22/02
7	AFTER V.E. - BID SET	02/07/03
8	LIGHTING CONTROL/POOL LIGHTING REVISION	01/15/04
9	LIGHTING REVISION	03/19/04

Einhorn Yaffee Prescott ARCHITECTURE & ENGINEERING, P.C.
 1500 FOTONAS ST. NW, SUITE 500
 WASHINGTON, D.C. 20009 (202) 471-5500
 ALBANY, NY; BOSTON, MA; WHITE PLAINS, NY; LOS ANGELES, CA

TAKOMA RECREATION CENTER
 300 VAN BUREN STREET, NW
 DEPARTMENT OF PARKS AND RECREATION
 3148 16th Street, NW
 Washington, DC 20009 (202) 673-7647

JLC THE JAIR LYNCH COMPANIES ALPHA CORPORATION
 1508 U Street, NW 3700 Koppers Street
 Washington, DC 20009 Baltimore, MD 21227
 (202) 462-1092 (410) 646-3044

LIGHTING FIXTURE SCHEDULE

designed by	project no.
DD/PS	2010138.00
drawn by	CAD file no.
DH/PS	e500.dwg
checked by	drawing no.
DT	
date	02/10/2003
scale	E500

PROJECT: TAKOMA RECREATION CENTER		PANEL VOLTAGE: 460 / 265V		AIC RATING: 35,000 SURFACE								
PANEL: MHA		PHASE & WIRE: 3PH, 4W		MOUNTING: SURFACE								
LOCATION: BUILDING 2 - BASEMENT		BUS/MAIN (AMPS): 225 / MLO		NOTES: PROVIDE FEED THROUGH LUGS								
OKT NO.	OKT A	OKT P	DESCRIPTION	LOAD (KVA)	3 PH SEQUENCE	LOAD (KVA)	DESCRIPTION	OKT A	OKT P	OKT NO.		
1	3	P-3		3.0	7.3	4.3	AHU-2 *	30	3	2		
3	-	-		3.0	-	-		-	-	4		
5	-	-		3.0	-	4.3		-	-	6		
7	3	P-4		3.0	3.0	-	SPARE	20	3	8		
9	-	-		3.0	-	-	SPARE	-	-	10		
11	-	-		3.0	-	-	SPARE	-	-	12		
13	3	P-5 (STAND-BY) *		3.0	3.0	-	BUSSED SPACE	-	-	14		
15	-	-		3.0	-	-	BUSSED SPACE	-	-	16		
17	-	-		3.0	-	-	BUSSED SPACE	-	-	18		
19	15	3	SPARE	-	0.0	-	BUSSED SPACE	-	-	20		
21	-	-		-	0.0	-	BUSSED SPACE	-	-	22		
23	-	-		-	0.0	-	BUSSED SPACE	-	-	24		
25	-	-	SPACE	-	0.0	-	BUSSED SPACE	-	-	26		
27	20	3	B-2	2.7	-	-	BUSSED SPACE	-	-	28		
29	-	-		2.7	-	2.7	BUSSED SPACE	-	-	30		
31	-	-		2.7	-	-	BUSSED SPACE	-	-	32		
33	-	-	SHUNT-TRIP SPACE	-	0.0	-	BUSSED SPACE	-	-	34		
35	20	3	B-3	2.7	-	2.7	BUSSED SPACE	-	-	36		
37	-	-		2.7	12.7	10.0	PANEL MHA VIA	3	38			
39	-	-		2.7	12.7	10.0	30 KVA XFMR	-	-	40		
41	-	-	SHUNT-TRIP SPACE	-	-	-	BUSSED SPACE	-	-	42		
CONNECTED LOAD (KVA)				43.2	0.0	0.0	29	29	21	42.9	0.0	0.0
TOTAL CONNECTED LOAD (KVA)				86.1	0.0	0.0						
DEMAND FACTOR				0.8	0.5	1.0	TOTAL DEMAND (KVA) 69					
TOTAL DEMAND LOAD (KVA)				68.9	0.0	0.0	LINE CURRENT (AMPS) 82.8					
* PROVIDE "MCCR" CIRCUIT BREAKER TYPE.												

PROJECT: TAKOMA RECREATION CENTER		PANEL VOLTAGE: 460 / 265V		AIC RATING: 35,000 SURFACE								
PANEL: MHB		PHASE & WIRE: 3PH, 4W		MOUNTING: SURFACE								
LOCATION: BUILDING 2 - BASEMENT		BUS/MAIN (AMPS): 225 / 225 MCB		NOTES: PROVIDE FEED THROUGH LUGS								
OKT NO.	OKT A	OKT P	DESCRIPTION	LOAD (KVA)	3 PH SEQUENCE	LOAD (KVA)	DESCRIPTION	OKT A	OKT P	OKT NO.		
1	30	3	P-6 *	3.8	4.7	0.9	P-8 *	15	3	2		
3	-	-		3.8	-	4.7		-	-	4		
5	-	-		3.8	-	4.7		-	-	6		
7	30	3	P-7 (STAND-BY) *	3.8	4.7	0.9	P-9 (STAND-BY) *	15	3	8		
9	-	-		3.8	-	4.7		-	-	10		
11	-	-		3.8	-	4.7		-	-	12		
13	15	3	SPARE	-	8.0	-	ACCU-2 *	35	3	14		
15	-	-		-	8.0	-		-	-	16		
17	-	-		-	8.0	-		-	-	18		
19	35	3	ACCU-3 *	8.0	8.7	0.7	SP-1 (DUPLEX)	30	3	20		
21	-	-		8.0	-	8.7		-	-	22		
23	-	-		8.0	-	8.7		-	-	24		
25	1		BUSSED SPACE	-	10.0	-	PANEL MLB VIA	45	3	26		
27	1		BUSSED SPACE	-	10.0	-	XFMR - 30KVA	-	-	28		
29	1		BUSSED SPACE	-	10.0	-		-	-	30		
31	1		BUSSED SPACE	-	0.0	-		-	-	32		
33	1		BUSSED SPACE	-	0.0	-		-	-	34		
35	1		BUSSED SPACE	-	0.0	-		-	-	36		
37	1		BUSSED SPACE	-	0.0	-		-	-	38		
39	1		BUSSED SPACE	-	0.0	-		-	-	40		
41	1		BUSSED SPACE	-	0.0	-		-	-	42		
CONNECTED LOAD (KVA)				46.7	0.0	0.0	36	36	36	61.4	0.0	0.0
TOTAL CONNECTED LOAD (KVA)				108.1	0.0	0.0						
DEMAND FACTOR				0.8	0.5	1.0	TOTAL DEMAND (KVA) 86					
TOTAL DEMAND LOAD (KVA)				86.5	0.0	0.0	LINE CURRENT (AMPS) 104					
BV												

PROJECT: TAKOMA RECREATION CENTER		PANEL VOLTAGE: 265 / 460V		AIC RATING: 14,000 SURFACE								
PANEL: MHC		PHASE & WIRE: 3PH, 4W		MOUNTING: SURFACE								
LOCATION: BUILDING 1 - 1ST FLOOR		BUS/MAIN (AMPS): 100 / MLO		NOTES: PROVIDE FEED THROUGH LUGS								
OKT NO.	OKT A	OKT P	DESCRIPTION	LOAD (KVA)	3 PH SEQUENCE	LOAD (KVA)	DESCRIPTION	OKT A	OKT P	OKT NO.		
1	30	3	AHU-3 (SF)	5.6	6.3	0.7	RF-2	15	3	2		
3	-	-		5.6	-	6.3		-	-	4		
5	-	-		5.6	-	6.3		-	-	6		
7	15	3	HOT WATER HEATER	2.0	-	-	SPARE	15	3	8		
9	-	-		2.0	-	2.0		-	-	10		
11	-	-		2.0	-	2.0		-	-	12		
13	1		BUSSED SPACE	-	0.0	-		-	-	14		
15	1		BUSSED SPACE	-	0.0	-		-	-	16		
17	1		BUSSED SPACE	-	0.0	-		-	-	18		
19	1		BUSSED SPACE	-	0.0	-		-	-	20		
21	1		BUSSED SPACE	-	0.0	-		-	-	22		
23	1		BUSSED SPACE	-	0.0	-		-	-	24		
25	1		BUSSED SPACE	-	0.0	-		-	-	26		
27	1		BUSSED SPACE	-	0.0	-		-	-	28		
29	1		BUSSED SPACE	-	0.0	-		-	-	30		
31	1		BUSSED SPACE	-	0.0	-		-	-	32		
33	1		BUSSED SPACE	-	0.0	-		-	-	34		
35	1		BUSSED SPACE	-	0.0	-		-	-	36		
37	1		BUSSED SPACE	-	0.0	-		-	-	38		
39	1		BUSSED SPACE	-	0.0	-		-	-	40		
41	1		BUSSED SPACE	-	0.0	-		-	-	42		
CONNECTED LOAD (KVA)				22.8	0.0	0.0	8	8	8	2.1	0.0	0.0
TOTAL CONNECTED LOAD (KVA)				24.9	0.0	0.0						
DEMAND FACTOR				0.8	0.5	1.0	TOTAL DEMAND (KVA) 20					
TOTAL DEMAND LOAD (KVA)				19.9	0.0	0.0	LINE CURRENT (AMPS) 24					

PROJECT: TAKOMA RECREATION CENTER		PANEL VOLTAGE: 265 / 460V		AIC RATING: 65,000 SURFACE								
PANEL: HA		PHASE & WIRE: 3PH, 4W		MOUNTING: SURFACE								
LOCATION: BUILDING 2 - BASEMENT		BUS/MAIN (AMPS): 225 / MLO		NOTES: PROVIDE FEED THROUGH LUGS								
OKT NO.	OKT A	OKT P	DESCRIPTION	LOAD (KVA)	3 PH SEQUENCE	LOAD (KVA)	DESCRIPTION	OKT A	OKT P	OKT NO.		
1	20	1	POOL LIGHTING	2.00	4.0	2.00	POOL LIGHTING	20	1	2		
3	20	1	POOL LIGHTING	2.00	4.0	2.00	POOL LIGHTING	20	1	4		
5	20	1	POOL LIGHTING	2.00	4.0	2.00	POOL LIGHTING	20	1	6		
7	20	1	BASEMENT WALKWAY LTG	1.65	5.5	3.85	MEN'S LOCKERS	20	1	8		
9	20	1	BUILDING 2 FIRST FLR. LTG.	3.00	6.5	3.50	POOL LIGHTING	20	1	10		
11	20	1	STAR 117 AND B114	0.14	0.1	0.1	SPARE	20	1	12		
13	20	1	SPARE	-	0.0	-	SPARE	20	1	14		
15	20	1	SPARE	-	0.0	-	SPARE	20	1	16		
17	20	1	SPARE	-	0.0	-	SPARE	20	1	18		
19	20	1	SPARE	-	0.0	-	SPARE	20	1	20		
21	20	1	SPARE	-	0.0	-	SPARE	20	1	22		
23	20	1	SPARE	-	0.0	-	SPARE	20	1	24		
25	20	1	SPARE	-	0.0	-	SPARE	20	1	26		
27	20	1	SPARE	-	0.0	-	SPARE	20	1	28		
29	1		BUSSED SPACE	-	0.0	-		-	-	30		
31	1		BUSSED SPACE	-	0.0	-		-	-	32		
33	1		BUSSED SPACE	-	0.0	-		-	-	34		
35	1		BUSSED SPACE	-	0.0	-		-	-	36		
37	1		BUSSED SPACE	-	15.0	15.0	PANEL LA VIA	70	3	38		
39	1		BUSSED SPACE	-	15.0	15.0	45KVA XFMR	-	-	40		
41	1		BUSSED SPACE	-	15.0	15.0		-	-	42		
CONNECTED LOAD (KVA)				0.0	0.0	10.79	25	26	19	45.0	0.0	13.35
TOTAL CONNECTED LOAD (KVA)				45.0	0.0	24.14						
DEMAND FACTOR				0.8	0.5	1.00	TOTAL DEMAND (KVA) 60					
TOTAL DEMAND LOAD (KVA)				36.0	0.0	24.14	LINE CURRENT (AMPS) 72.3					
* GFCI INDICATES GROUND FAULT INTERRUPTING CIRCUIT BREAKER												

PROJECT: TAKOMA RECREATION CENTER		PANEL VOLTAGE: 265 / 460V		AIC RATING: 35,000 SURFACE						
PANEL: HB		PHASE & WIRE: 3PH, 4W		MOUNTING: SURFACE						
LOCATION: BUILDING 2 - BASEMENT		BUS/MAIN (AMPS): 225 / 225 MCB		NOTES: PROVIDE FEED THROUGH LUGS						
OKT NO.	OKT A	OKT P	DESCRIPTION	LOAD (KVA)	3 PH SEQUENCE	LOAD (KVA)	DESCRIPTION	OKT A	OKT P	OKT NO.
1	20	1	POOL LIGHTING	2.00	2.00	2.00	SPARE	20	1	2
3	20	1	LEISURE POOL LIGHTING	2.00	2.00	2.00	SPARE	20	1	4
5	20	1	BASEMENT MECH RM LTG	1.02	4.97	3.96	BASEMENT WOMEN LTG	20	1	6
7	20	1	POOL LIGHTING	1.70	4.70	3.00	BUILDING 2 FIRST FLR LTG	20	1	8
9	20	1	POOL LIGHTING	2.00	4.60	2.60	POOL BLEACHERS LTG	20	1	10
11	20	1	POOL LIGHTING	2.00	2.00	2.00	SPARE	20	1	12
13	20	1	POOL LIGHTING	2.00	2.14	0.14	STARWELL 108 AND B20	20	1	14
15	20	1	POOL LIGHTING	2.00	2.14	0.14	STARWELL 118 AND B20	20	1	16
17	20	1	POOL LIGHTING	2.00	2.00	2.00	SPARE	20	1	18
19	20	1	SPARE	-	2.00	-	SPARE	20	1	20
21	20	1	SPARE	-	0.00	-	SPARE	20	1	22
23	20	1	SPARE	-	0.00	-	SPARE	20	1	24
25	20	1	SPARE	-	0.00	-	SPARE	20	1	26
27	1		BUSSED SPACE	-	0.00	-		-	-	28
29	1		BUSSED SPACE	-	0.00	-		-	-	30
31	1		BUSSED SPACE	-	0.00	-		-	-	32
33	1		BUSSED SPACE	-	0.00	-		-	-	34
35	1		BUSSED SPACE	-	0.00	-		-	-	36
37	1		BUSSED SPACE	-	15.00	15.00	PANEL LB VIA	70	3	38
39	1		BUSSED SPACE	-	15.00	15.00	45KVA XFMR	-	-	40
41	1		BUSSED SPACE	-	15.00	15.00		-	-	42
CONNECTED LOAD (KVA)				0.0	0.0	18.9	26	24		

PROJECT: TAKOMA RECREATION CENTER		PANEL VOLTAGE: 208 / 120V		AIC RATING: 10,000									
PANEL: LA (SECTION 1)		PHASE & WIRE: 3PH, 4W		MOUNTING: SURFACE									
LOCATION: BUILDING 2 - BASEMENT		BUS/MAIN (AMPS): 225 / 150 MCB		NOTES: PROVIDE FEED THROUGH LUGS									
OKT NO.	OC	A	P	DESCRIPTION	LOAD (KVA)	3 PH SEQUENCE	LOAD (KVA)	DESCRIPTION	OC	P	NO.		
1	20	1		UNDER WATER LTG *		1.0 2.0		UNDER WATER LTG *	20	1	2		
3	20	1		UNDER WATER LTG *		1.0 2.0		UNDER WATER LTG *	20	1	4		
5	20	1		UNDER WATER LTG *		1.0 2.0		UNDER WATER LTG *	20	1	6		
7	20	1		UNDER WATER LTG *		1.0 2.0		UNDER WATER LTG *	20	1	8		
9	20	1		RECP	0.4		1.9	MICROWAVE	20	1	10		
11	20	1		RECP	0.6		1.8	UC REFRIGERATOR	20	1	12		
13	20	1		FARE CARD MACHINE (FUTURE)	1.2		1.8	GFI RECP	20	1	14		
15	20	1		RECP	0.7		1.1	RECP	20	1	16		
17	20	1		EXTERIOR RECP	0.6		1.1	TELEPHONE SERVICE	20	1	18		
19	20	1		CHILLER HEAT TRACE	0.8		1.3	CATV SERVICE	20	1	20		
21	20	1		RECP	0.9		1.6	RECP	20	1	22		
23	20	1		WATER LEVEL CONT.	0.4		1.9	DRYER	20	1	24		
25	20	1		RECP	0.7		2.2	DRYER	20	1	26		
27	20	1		GFI RECP	0.6		2.2	DRYER	20	1	28		
29	20	1		GFI RECP	0.7		2.1	DRYER	20	1	30		
31	20	1		GFI RECP	0.6		2.4	DRYER	20	1	32		
33	20	1		RECP	0.9		2.1	EWC	20	1	34		
35	20	1		RECP	1.1		1.4	RECP	20	1	36		
37	20	1		GFI RECP	0.8		1.5	RECP	20	1	38		
39	20	1		GFI RECP	1.0		1.5	LC-0L, LC-1, & LC-2 CTRL	20	1	40		
41	20	1		RECP	1.5			SPARE	20	1	42		
CONNECTED LOAD (KVA)					0.0	13.5	4.0	13	12	12	11.2	3.8	4.5
TOTAL CONNECTED LOAD (KVA)					11.2	17.3	8.5						
DEMAND FACTOR					0.8	0.5	1.0						26
TOTAL DEMAND LOAD (KVA)					9.0	8.7	8.5						72.5

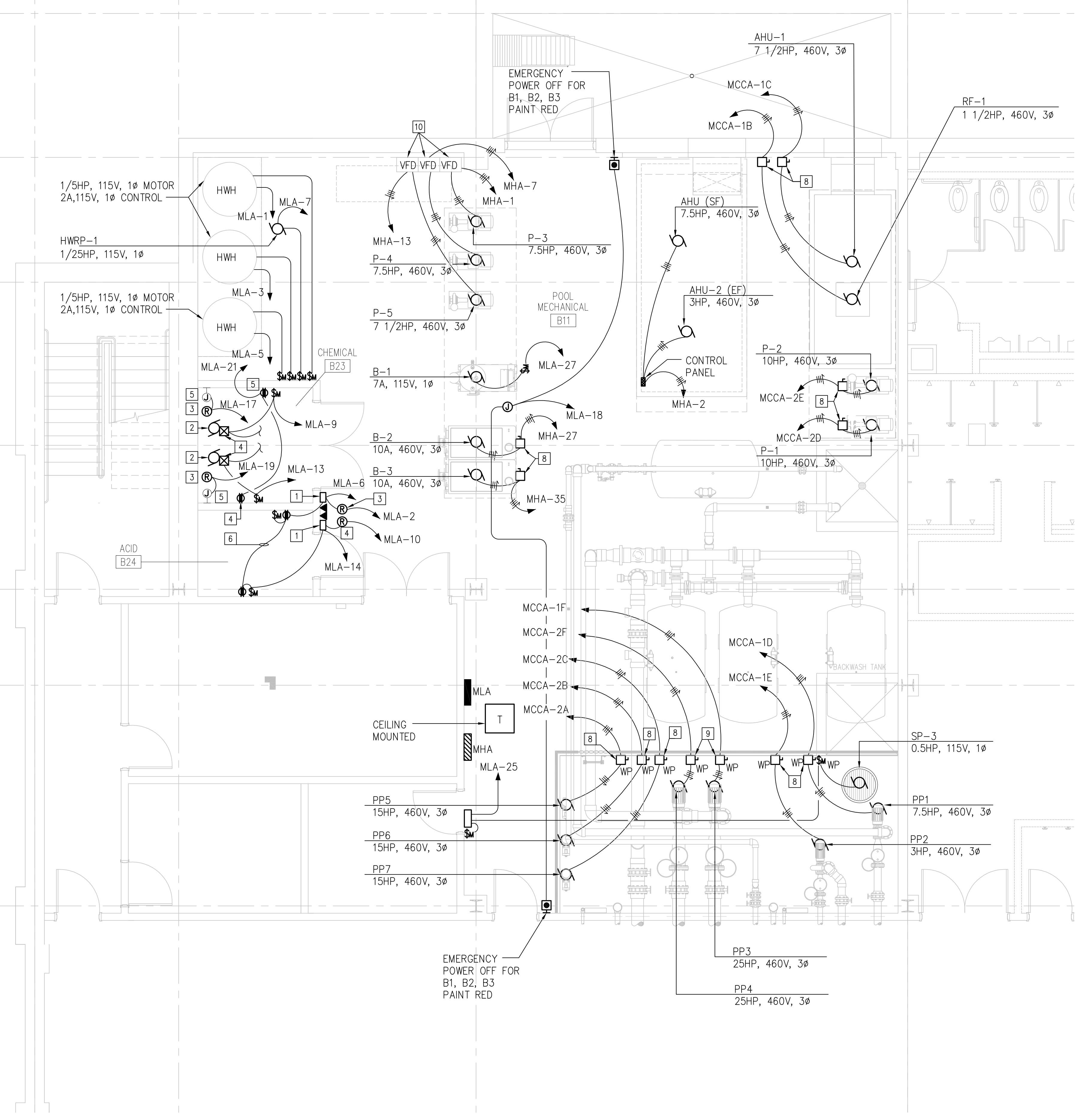
PROJECT: TAKOMA RECREATION CENTER		PANEL VOLTAGE: 208 / 120V		AIC RATING: 10,000								
PANEL: LA (SECTION 2)		PHASE & WIRE: 3PH, 4W		MOUNTING: SURFACE								
LOCATION: BUILDING 2 - BASEMENT		BUS/MAIN (AMPS): 225 / LUGS		NOTES:								
OKT NO.	OC	A	P	DESCRIPTION	LOAD (KVA)	3 PH SEQUENCE	LOAD (KVA)	DESCRIPTION	OC	P	NO.	
43	20	1		VIDEO SER	1.0		1.0	CONTROL ROOM	20	1	44	
45	20	1		SECURITY CIRCUIT	1.0		1.0	CONTROL ROOM	20	1	46	
47	20	1		EWC	1.0		1.0	SPARE	20	1	48	
49	20	1		EWC	1.0		1.0	SPARE	20	1	50	
51	20	1		SPARE			0.0	SPARE	20	1	52	
53	20	1		SWIMMING POOL REC	1.0		1.0	SPARE	20	1	54	
55	20	1		SPARE			0.0	SPARE	20	1	56	
57	20	1		SPARE			0.0	SPARE	20	1	58	
59	20	1		SPARE			0.0	SPARE	20	1	60	
61	20	1		SPARE			0.0	SPARE	20	1	62	
63	20	1		SPARE			0.0	SPARE	20	1	64	
65	20	1		SPARE			0.0	SPARE	20	1	66	
67	20	1		SPARE			0.0	SPARE	20	1	68	
69	20	1		SPARE			0.0	SPARE	20	1	70	
71	20	1		SPARE			0.0	SPARE	20	1	72	
73	20	1		SPARE			0.0	SPARE	20	1	74	
75	20	1		SPARE			0.0	SPARE	20	1	76	
77	20	1		SPARE			0.0	SPARE	20	1	78	
79	20	1		SPARE			0.0	SPARE	20	1	80	
81	20	1		SPARE			0.0	SPARE	20	1	82	
83	20	1		SPARE			0.0	SPARE	20	1	84	
CONNECTED LOAD (KVA)					2.0	3.0	0.0	2	1	2	0.0	0.0
TOTAL CONNECTED LOAD (KVA)					2.0	3.0	0.0					
DEMAND FACTOR					0.8	0.5	1.0					3
TOTAL DEMAND LOAD (KVA)					1.6	1.5	0.0					8.6

PROJECT: TAKOMA RECREATION CENTER		PANEL VOLTAGE: 460 / 265V		AIC RATING: 35,000									
PANEL: EM1		PHASE & WIRE: 3PH, 4W		MOUNTING: SURFACE									
LOCATION: BUILDING 2 - BASEMENT		BUS/MAIN (AMPS): 100 / LUGS		NOTES:									
OKT NO.	OC	A	P	DESCRIPTION	LOAD (KVA)	3 PH SEQUENCE	LOAD (KVA)	DESCRIPTION	OC	P	NO.		
1	20	1		FIRST FLOOR ENG.	1.60	2.6		BASEMENT LEVEL ENG.	20	1	2		
3	20	1		POOL NIGHT LTG-1ST. FL.	0.75		0.9	ELEV PIT LTG	20	1	4		
5	20	1		POOL EMERGENCY LTG	0.75		1.1	EMERG. HEAD LGTS-BAS.	20	1	6		
7	20	1		STARWELL 117 AND B114	0.14	0.4		EMERG. HEAD LGTS-BAS.	20	1	8		
9	20	1		STARWELL 106 AND B02	0.14	0.1		SPARE	20	1	10		
11	20	1		STARWELL 118 AND B09	0.14	0.1	0.1	SPARE	20	1	12		
13	20	1		SPARE		0.4	0.4	SPARE	20	1	14		
15	20	1		SPARE		0.4	0.4	PANEL EM2	40	3	14		
17	20	1		SPARE		0.4	0.4		20	1	16		
19	20	1		SPARE		0.0	0.0		20	1	18		
21	20	1		SPARE		0.0	0.0		20	1	20		
23	20	1		SPARE		0.0	0.0		20	1	22		
25	20	1		SPARE		0.0	0.0		20	1	24		
27	20	1		SPARE		0.0	0.0		20	1	26		
29	20	1		SPARE		0.0	0.0		20	1	28		
31	20	1		SPARE		0.0	0.0		20	1	30		
33	20	1		SPARE		0.0	0.0		20	1	32		
35	20	1		SPARE		0.0	0.0		20	1	34		
37	20	1		SPARE		0.0	0.0		20	1	36		
39	20	1		SPARE		0.0	0.0		20	1	38		
41	20	1		SPARE		0.0	0.0		20	1	40		
CONNECTED LOAD (KVA)					0.0	0.0	3.52	3	1	2	1.3	0.0	1.65
TOTAL CONNECTED LOAD (KVA)					1.3	0.0	3.00						
DEMAND FACTOR					0.8	0.5	1.00						4
TOTAL DEMAND LOAD (KVA)					1.0	0.0	3.00						4.86

PROJECT: TAKOMA RECREATION CENTER		PANEL VOLTAGE: 208 / 120V		AIC RATING: 10,000									
PANEL: LB (SECTION 1)		PHASE & WIRE: 3PH, 4W		MOUNTING: SURFACE									
LOCATION: BUILDING 2 - BASEMENT		BUS/MAIN (AMPS): 225 / 150 MCB		NOTES: PROVIDE FEED THROUGH LUGS									
OKT NO.	OC	A	P	DESCRIPTION	LOAD (KVA)	3 PH SEQUENCE	LOAD (KVA)	DESCRIPTION	OC	P	NO.		
1	20	1		UNDER WATER LTG *		1.00 2.00		UNDER WATER LTG *	20	1	2		
3	20	1		UNDER WATER LTG *		1.00 2.00		UNDER WATER LTG *	20	1	4		
5	20	1		UNDER WATER LTG *		1.00 2.00		UNDER WATER LTG *	20	1	6		
7	20	1		DRYER	1.50		2.30	RECP	20	1	8		
9	20	1		DRYER	1.50		2.30	RECP	20	1	10		
11	20	1		DRYER	1.50		2.10	RECP	20	1	12		
13	20	1		DRYER	1.50		2.50	RECP	20	1	14		
15	20	1		DRYER	1.50		2.50	RECP	20	1	16		
17	20	1		GFI RECP	1.00		2.00	RECP	20	1	18		
19	20	1		GFI RECP	1.00		1.40	LC-3 & LC-4 CONTROL	20	1	20		
21	20	1		GFI RECP	1.00		2.00	RECP	20	1	22		
23	20	1		RECP	0.80		2.65	SWIMMING POOL REC	20	1	24		
25	20	1		RECP	1.00		2.30	LEISURE POOL LTG	20	1	26		
27	20	1		SECURITY WALKWAY FNL	0.60		1.60	SWIMMING POOL REC	20	1	28		
29	20	1		EWC + (1) RECEPT	0.60		2.0	LEISURE POOL LTG	20	1	30		
31	20	1		SECURITY WALKWAY FNL	0.60		2.10	TURNSTILE FIRE ALARM RELAY	20	1	32		
33	20	1		SECURITY WALKWAY FNL	0.60		0.60	BUSSSED SPACE	-	1	34		
35	20	1		SECURITY WALKWAY FNL	0.60		0.60	BUSSSED SPACE	-	1	36		
37	-	1		BUSSSED SPACE			0.00	BUSSSED SPACE	-	1	38		
39	-	1		BUSSSED SPACE			0.00	BUSSSED SPACE	-	1	40		
41	-	1		BUSSSED SPACE			0.00	BUSSSED SPACE	-	1	42		
CONNECTED LOAD (KVA)					10.90	5.30	3.00	12.60	11.00	12.40	0.70	8.20	6.70
TOTAL CONNECTED LOAD (KVA)					11.60	13.50	9.70						
DEMAND FACTOR					0.80	0.50	1.00						26
TOTAL DEMAND LOAD (KVA)					9.28	6.75	9.70						71.4

PROJECT: TAKOMA RECREATION CENTER		PANEL VOLTAGE: 208 / 120V		AIC RATING: 10,000							
PANEL: LB (SECTION 2)		PHASE & WIRE: 3PH, 4W		MOUNTING: SURFACE							
LOCATION: BUILDING 2 - BASEMENT		BUS/MAIN (AMPS): 225 / LUGS		NOTES:							
OKT NO.	OC	A	P	DESCRIPTION	LOAD (KVA)	3 PH SEQUENCE	LOAD (KVA)	DESCRIPTION	OC	P	NO.
43	20	1		BUSSSED SPACE		0.0	0.0	BUSSSED SPACE	20	1	44
45	20	1		BUSSSED SPACE		0.0	0.0	BUSSSED SPACE	20	1	46
47	20	1		BUSSSED SPACE		0.0	0.0	BUSSSED SPACE	20	1	48
49	20	1		BUSSSED SPACE		0.0	0.0	BUSSSED SPACE	20	1	50
51	20	1		BUSSSED SPACE		0.0	0.0	BUSSSED SPACE	20	1	52
53	20	1		BUSSSED SPACE		0.0	0.0	BUSSSED SPACE	20	1	54
55	20	1		BUSSSED SPACE		0.0	0.0	BUSSSED SPACE	20	1	56
57	20	1		BUSSSED SPACE		0.0	0.0	BUSSSED SPACE	20	1	58
59	20	1		BUSSSED SPACE		0.0	0.0	BUSSSED SPACE	20	1	60
61	20	1		BUSSSED SPACE		0.0	0.0	BUSSSED SPACE	20	1	62

1 1.3 2 3



KEYED NOTES

- 1 WATER CHEMISTRY CONTROLLER DISPLAY PROVIDE A PHONE OUTLET. A 120V CONDUIT FOR DISPLAY POWER AND A CIRCUIT INTERLOCKED BY MEANS OF THE POOL RECIRCULATION PUMP AUXILIARY CONTACTS FOR THE CHEMICAL FEEDER. COORDINATE WITH POOL CONTRACTOR AND PROVIDE CONTROL AS REQUIRED. REFER TO DETAIL 1/SP4.D. (TYPICAL OF 2).
- 2 CHLORINE BOOSTER PUMP 115V, 1Ø, 1/2HP MAX. PROVIDE MOTOR STARTER WITH COIL CONTROL AND OVERLOAD PROTECTION.
- 3 INTERLOCKING WITH AUXILIARY CONTACTS OF PP2. COORDINATE WITH MANUFACTURER.
- 4 INTERLOCKING WITH AUXILIARY CONTACTS OF PP3 & PP4. COORDINATE WITH MANUFACTURER.
- 5 HRR TANK MIXER SWITCH TIMER 115V, 1Ø.
- 6 SPACE, 115V, 1Ø.
- 7 NOT USED
- 8 3ØA, 3P, NFSS
- 9 6ØA, 3P, NFSS
- 10 VARIABLE FREQUENCY DRIVE WITH INTEGRATED CIRCUIT BREAKER DISCONNECT MEANS PROVIDED UNDER DIV 15.

GENERAL NOTES

REVISED CONSTRUCTION DOCUMENT

no.	revisions/submissions/last update	date
1	Schematic Design Submission	11/21/01
2	Design Development Submission	02/01/02
3	Permit Set	04/29/02
4	Bid Set - Not For Construction	06/14/02
5	Construction Document	06/21/02
6	V.E. BID SET	11/22/02

Einhorn Yaffee Prescott ARCHITECTURE & ENGINEERING, P.C.
 THE FLOUR MILL, 1200 POTOMAC ST., NW, STE. 411
 WASHINGTON, D.C. 20007 (202) 471-5600

TAKOMA RECREATION CENTER
 300 VAN BUREN STREET, NW
 DEPARTMENT OF PARKS AND RECREATION
 3149 16th Street, NW
 Washington, DC 20010
 (202) 673-7647

THE JAIR LYNCH COMPANIES ALPHA CORPORATION
 1508 U Street, NW 3700 Koppers Street
 Washington, DC 20009 Baltimore, MD 21227
 (202) 462-1092 (410) 646-3044

drawing title
PARITAL BASEMENT POWER PLAN

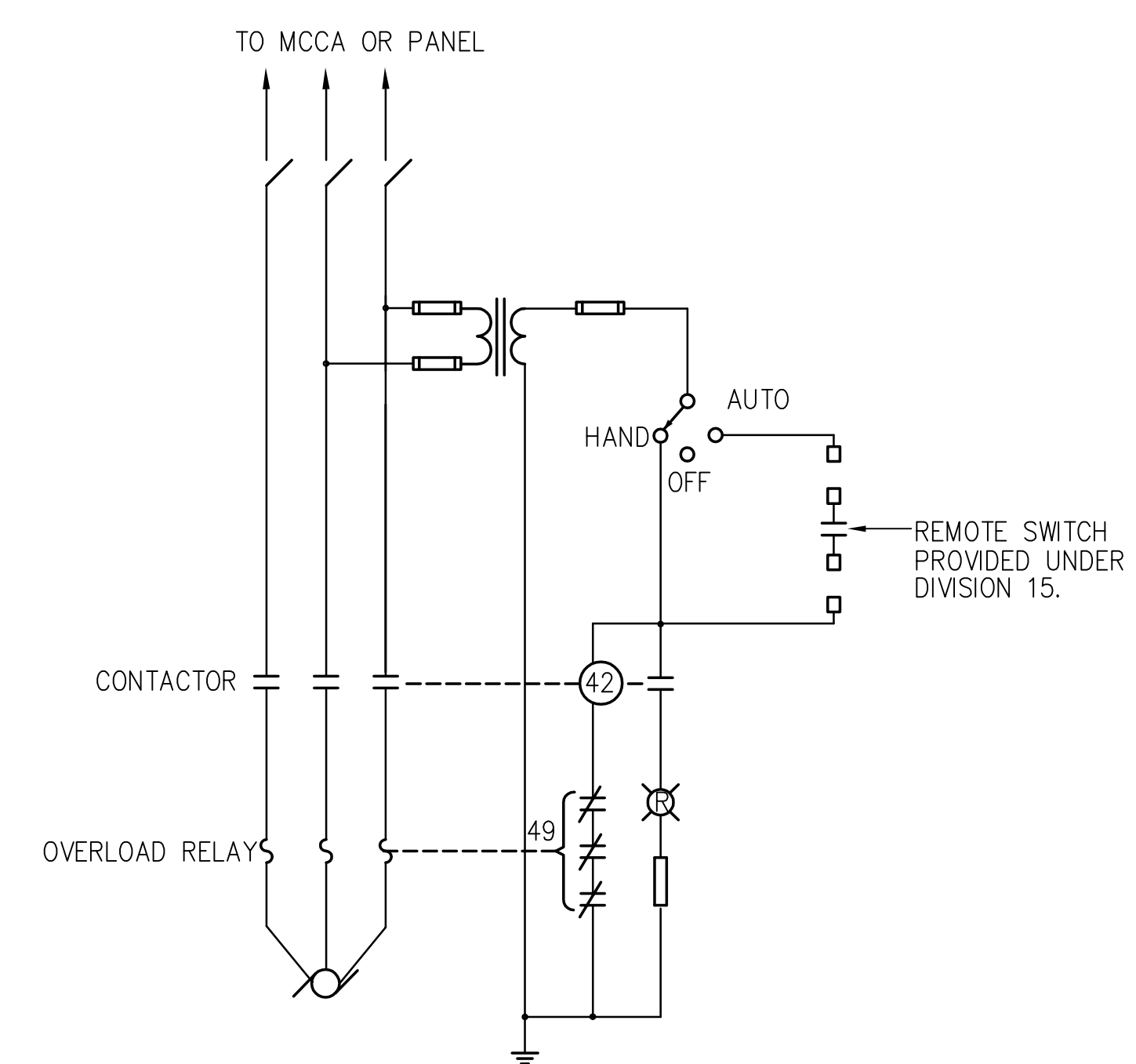
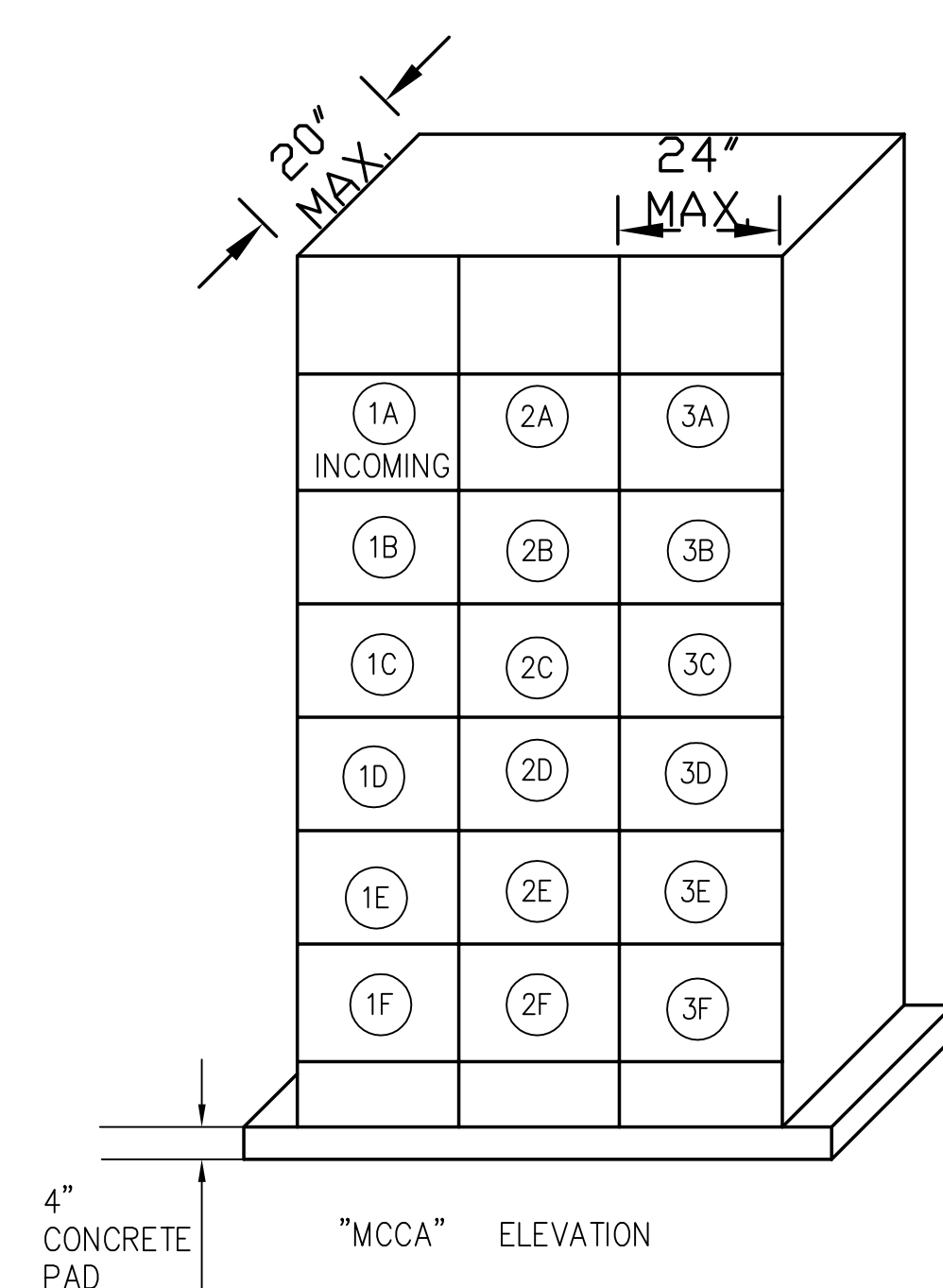
seal	designed by	project no.
	DI	2001038.00
	drawn by	CAD file no.
	DI	elec\plot\irc-e601.dwg
	checked by	drawing no.
	DI	
	date	
	02/10/2003	
	scale	
	1/4" = 1'-0"	

E601

MOTOR CONTROL CENTER "MCCA"										
265/460 VOLTS, 3 PHASE, 4 WIRE, 600 AMPS., BRACED FOR 65,000 A.I.C.										
ITEM NO.	DESCRIPTION	MOTOR				STARTER NEMA SIZE	SWITCH/FUSE		BRANCH CIRCUIT WIRING	REMARKS
		VOLTS	Ø	HP	FLA		(C/B)	FUSE (RK5)		
1A	INCOMING LINE	460	3	-	-					
1B	RF-1			1.5	3	1	30	4.5	3#12+1#12G IN 3/4"C	
1C	AHU-1			7.5	11	1	30	15	3#12+1#12G IN 3/4"C	
1D	PP1			7.5	11	1	30	15	3#12+1#12G IN 3/4"C	
1E	PP2			3	4.8	1	30	6	3#12+1#12 IN 3/4"C	
1F	PP3			25	34	2	60	45	3#8+1#10G IN 1"C	
2A	PP5	460	3	15	21	2	30	30	3#10+1#10G IN 3/4"C	
2B	PP6			15	21	2	30	30	3#10+1#10G IN 3/4"C	
2C	PP7			15	21	2	30	30	3#10+1#10G IN 3/4"C	
2D	P-1			10	14	1	30	17.5	3#12+1#12G IN 3/4"C	NOTE 2
2E	P-2			10	14	1	30	17.5	3#12+1#12G IN 3/4"C	STANDBY, NOTE 2
2F	PP4			25	34	2	60	45	3#8+1#10G IN 1"C	
3A	PANEL MHA	460	3			1	(225A)		SEE RISER -	
3B	BUSSED SPACE									
3C	BUSSED SPACE									
3D	BUSSED SPACE									
3E	BUSSED SPACE									
3F	BUSSED SPACE									

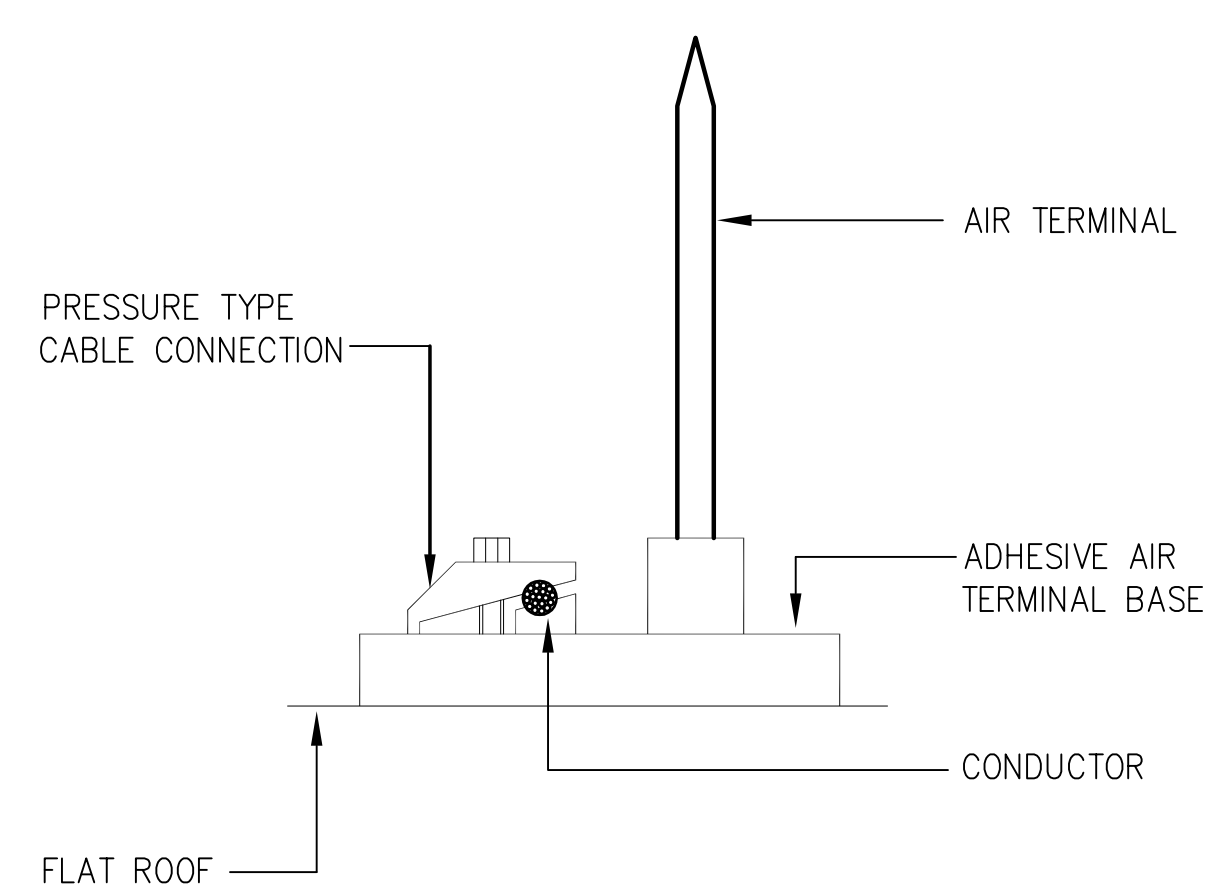
TOTAL CONNECTED LOAD:
TOTAL DEMAND LOAD:

1. SQUARE-D MODEL 6 MCC OR EQUAL.
2. LEAD-LAG CONTROL IS PROVIDED UNDER DIV 15.
3. ALL MOTOR STARTERS SHALL BE PROVIDED WITH HAND-OFF-AUTO SWITCHES, INDICATOR LIGHTS AND AUXILIARY CONTACTS.
4. PROVIDE ADDITIONAL REMOTE "ON-OFF" PUSH BUTTON LOCATED IN FIRST AID/GUARD ROOM #B06 FOR PUMPS#PP5, PP6 AND PP7.

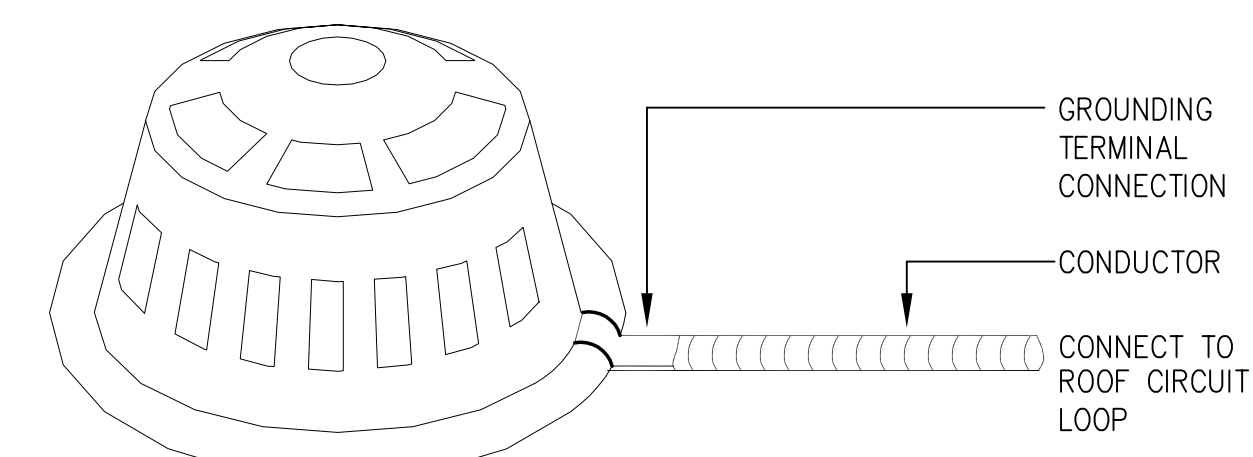


A13 TYPICAL MOTOR STARTER WIRING DIAGRAM

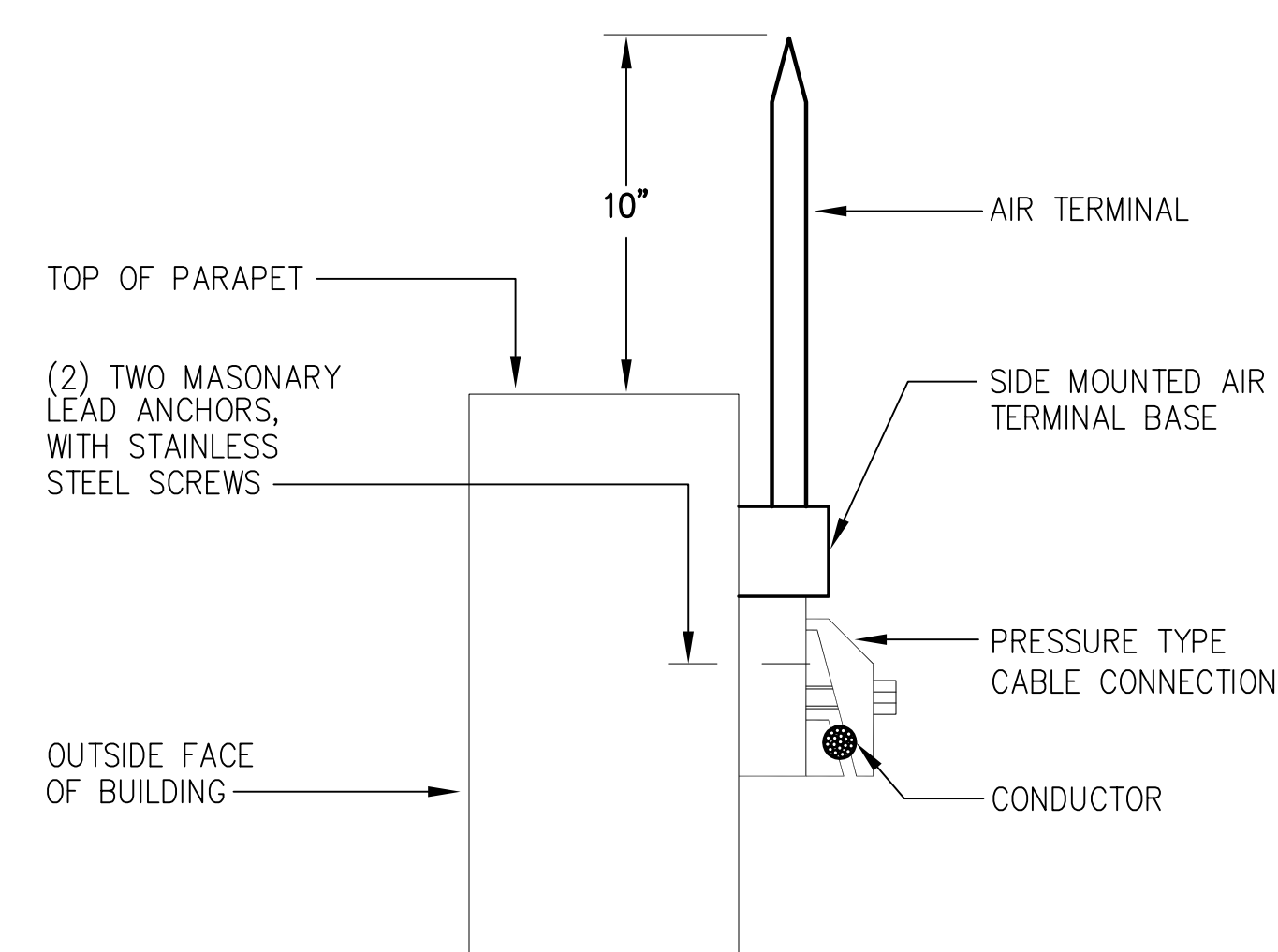
NONE



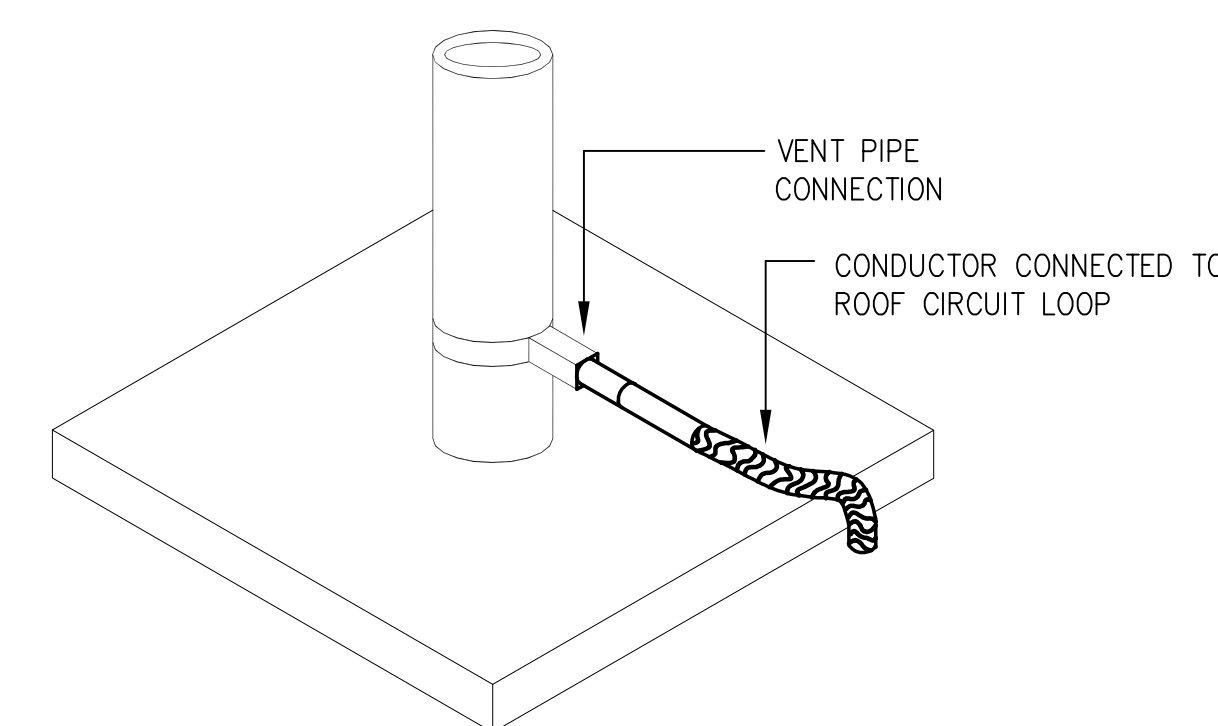
MOUNTED AIR TERMINAL DETAIL



ROOF DRAIN BOND DETAIL



PARAPET MOUNTED AIR TERMINAL DETAIL



VENT PIPE THRU ROOF BOND DETAIL

A8 LIGHTNING PROTECTION SYSTEM

NONE

A13 LIGHTNING PROTECTION SYSTEM

NONE

REVISED CONSTRUCTION DOCUMENT

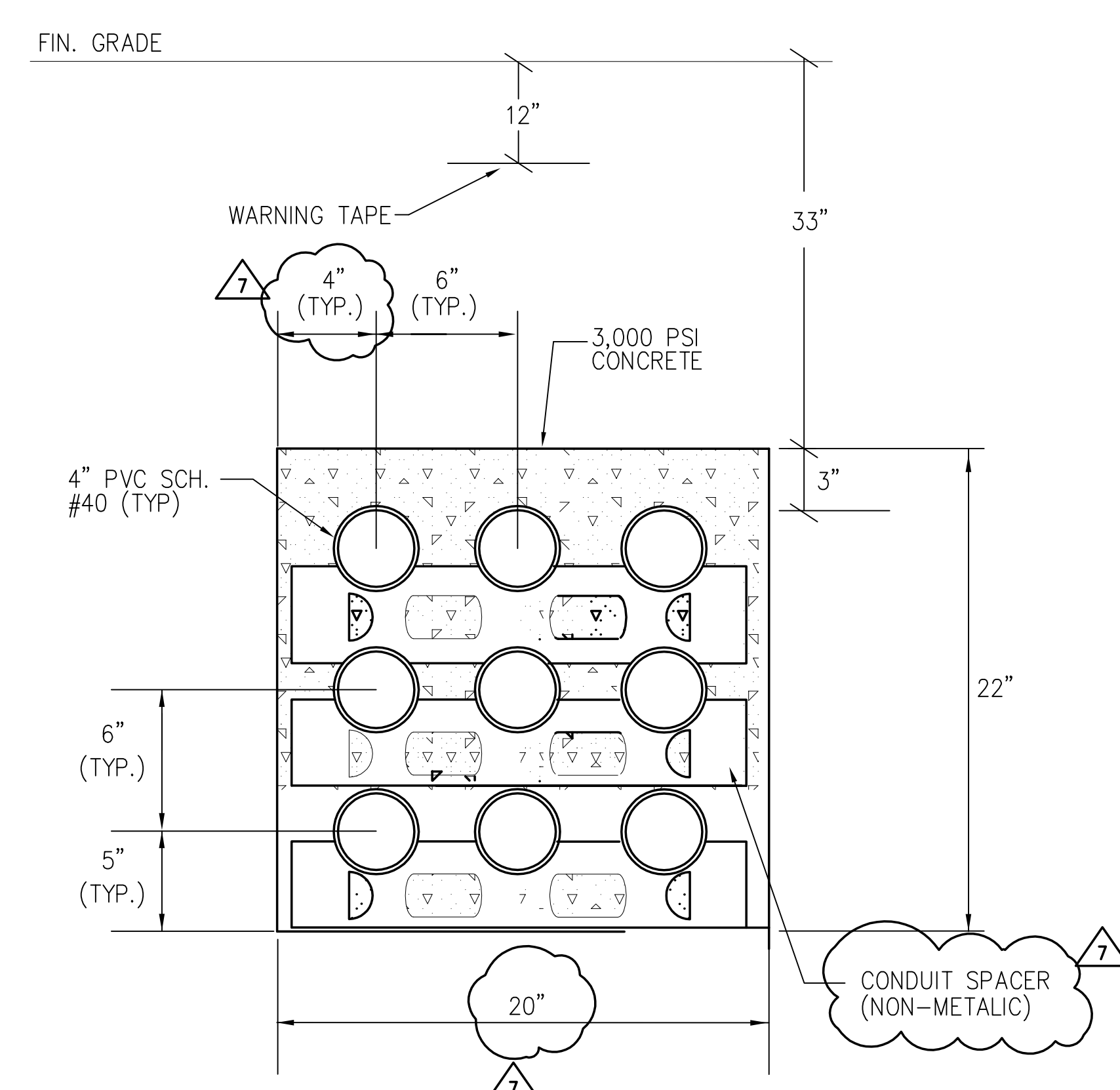
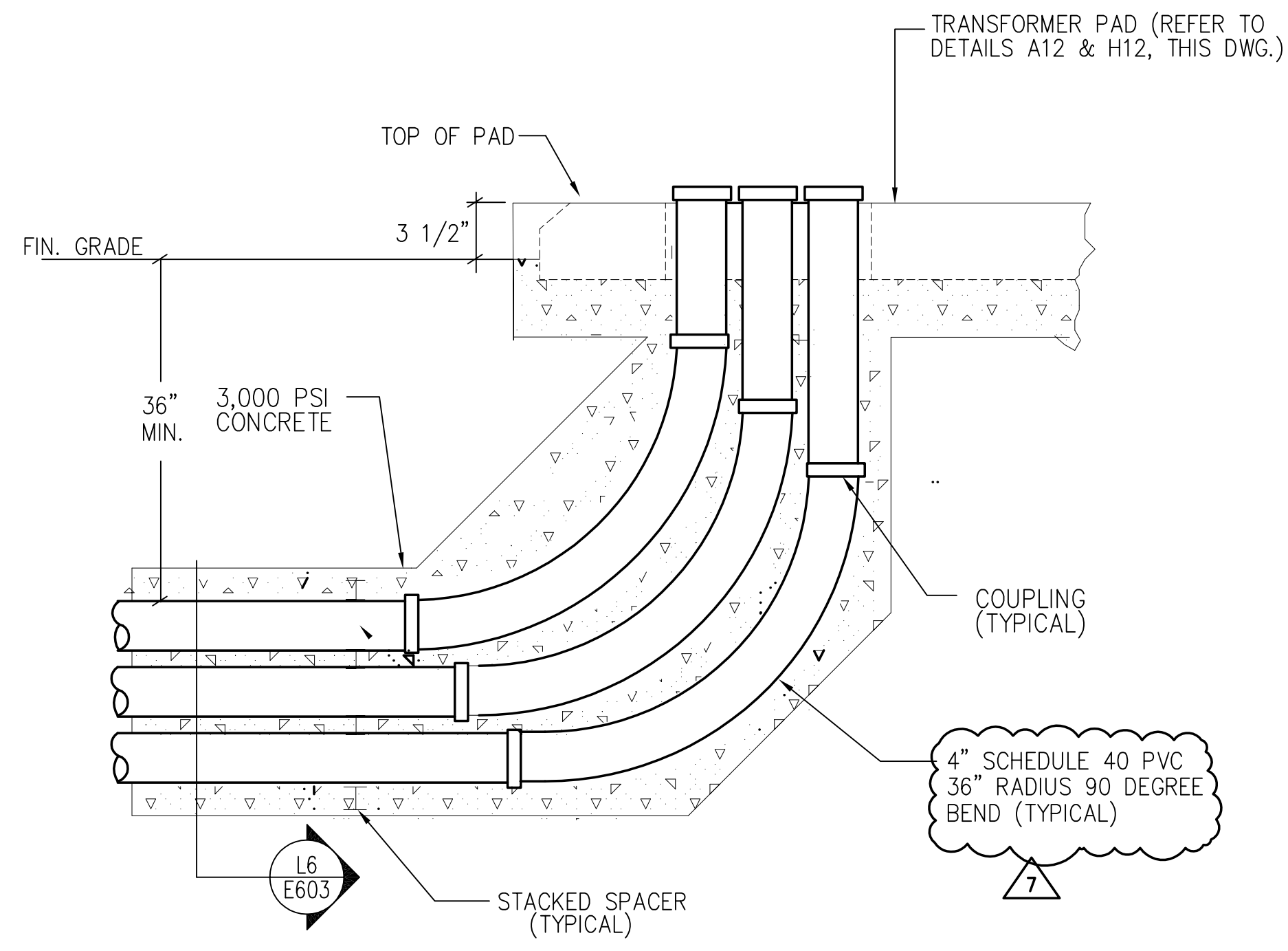
no.	revisions/submissions/last update	date
1	Schematic Design Submission	11/21/01
2	Design Development Submission	02/01/02
3	Permit Set	04/29/02
4	Bid Set - Not For Construction	06/14/02
5	Construction Document	06/21/02
6	V.E. BID SET	11/22/02

**Einhorh
Yaffee
Prescott** ARCHITECTURE & ENGINEERING, P.C.
1000 POTOMAC ST., NW STE. 11
WASHINGTON, D.C. 20007 (202) 451-3500
ALBANY, NY BOSTON, MA WHITE PLAINS, NY
NEW YORK, CITY, NY LOS ANGELES, CA

TAKOMA RECREATION CENTER
300 VAN BUREN STREET, NW
DEPARTMENT OF PARKS AND RECREATION
3149 16th Street, NW
Washington, DC 20010
(202) 873-7647
THE JAIN LYNCH COMPANIES ALPHA CORPORATION
1508 U Street, NW 3700 Koppers Street
Washington, DC 20009 Baltimore, MD 21227
(202) 462-1092 (410) 646-3044

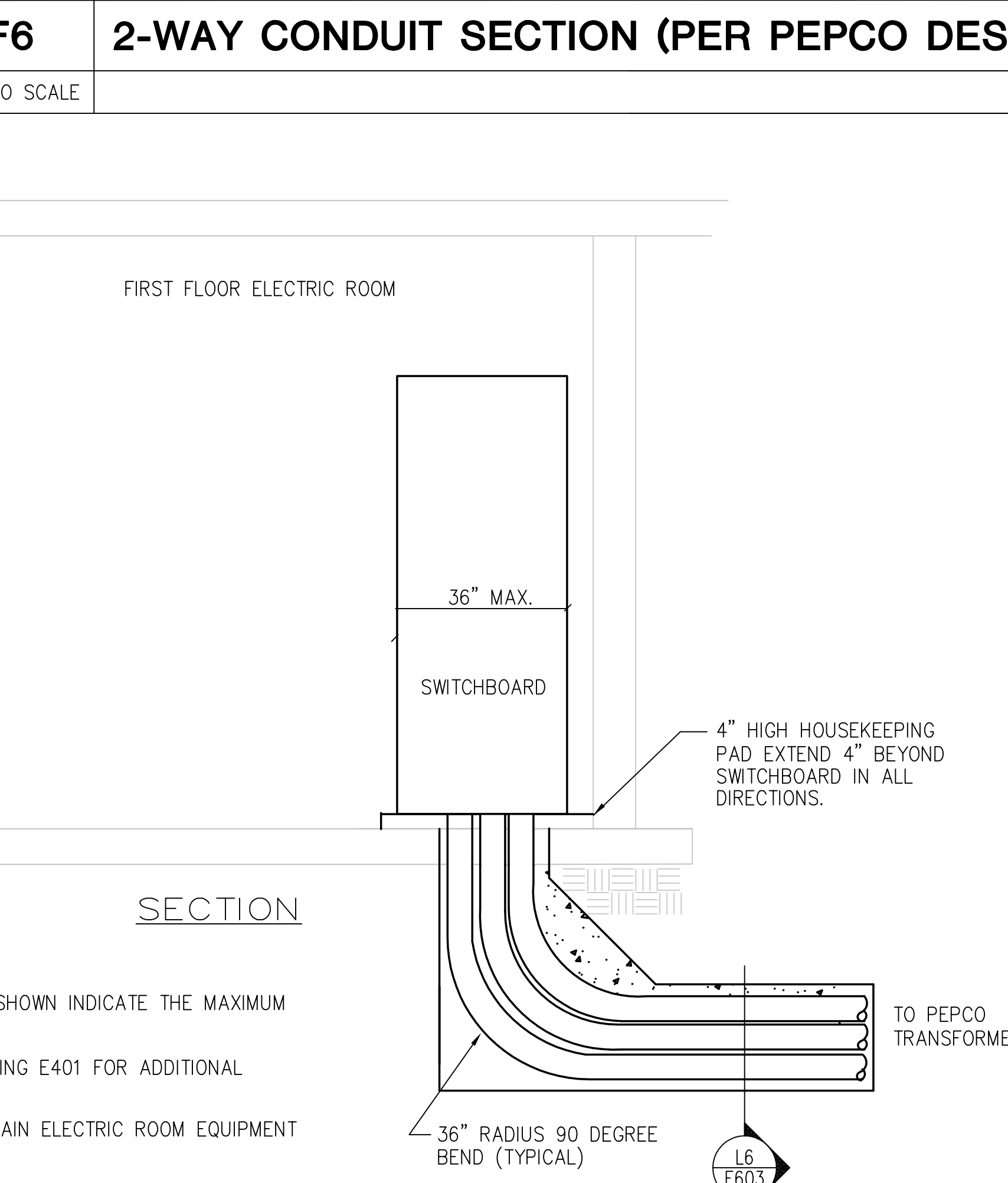
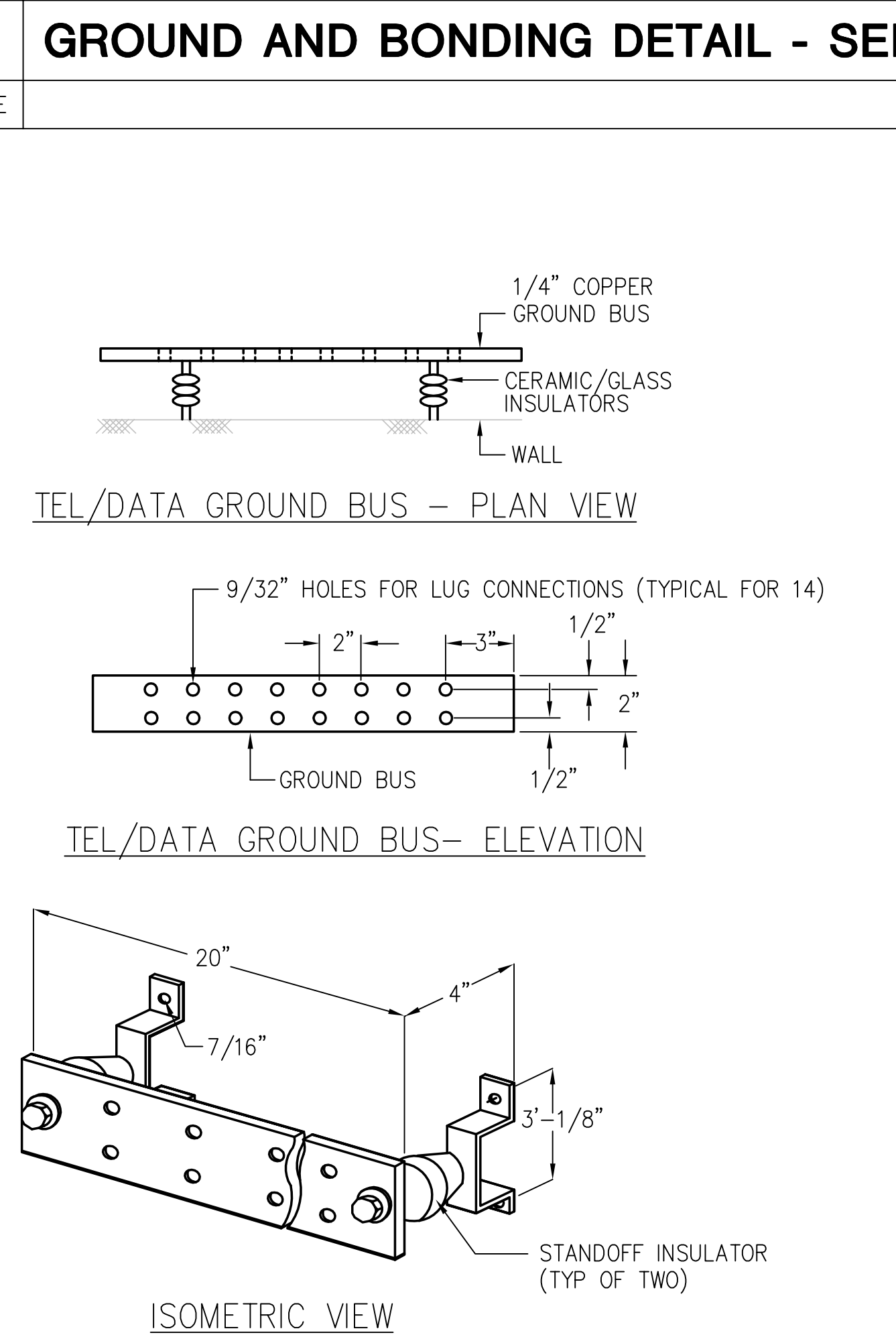
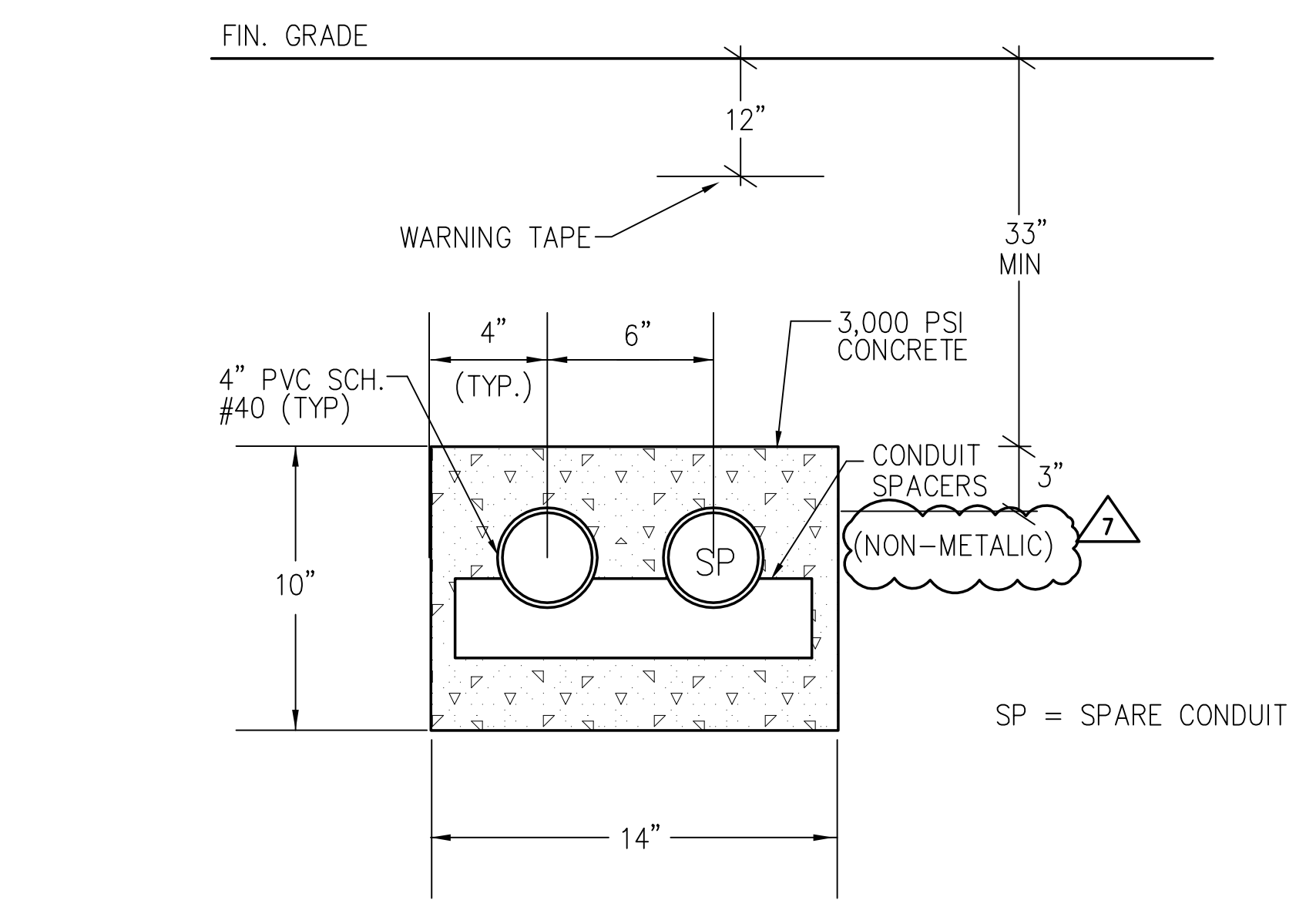
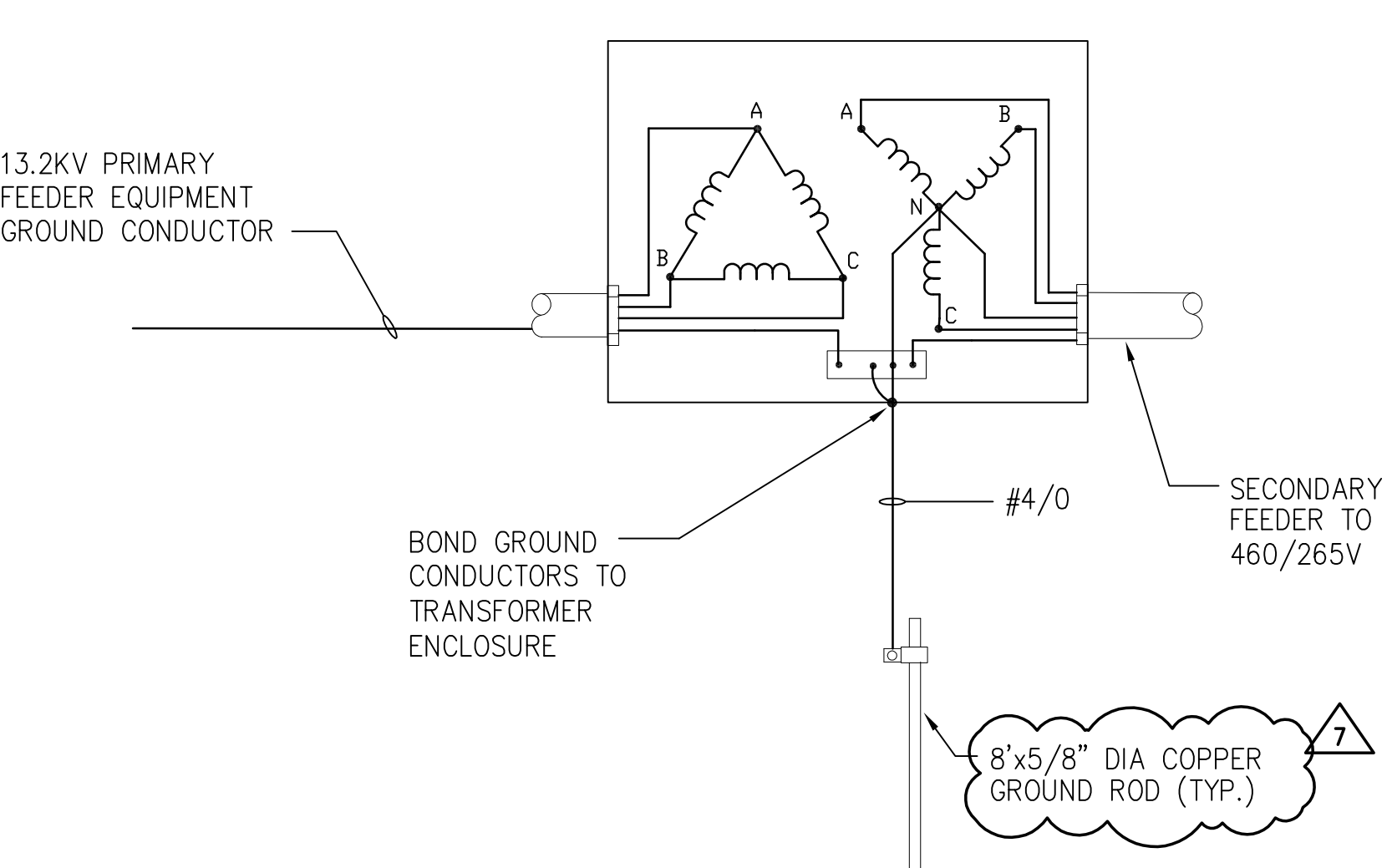
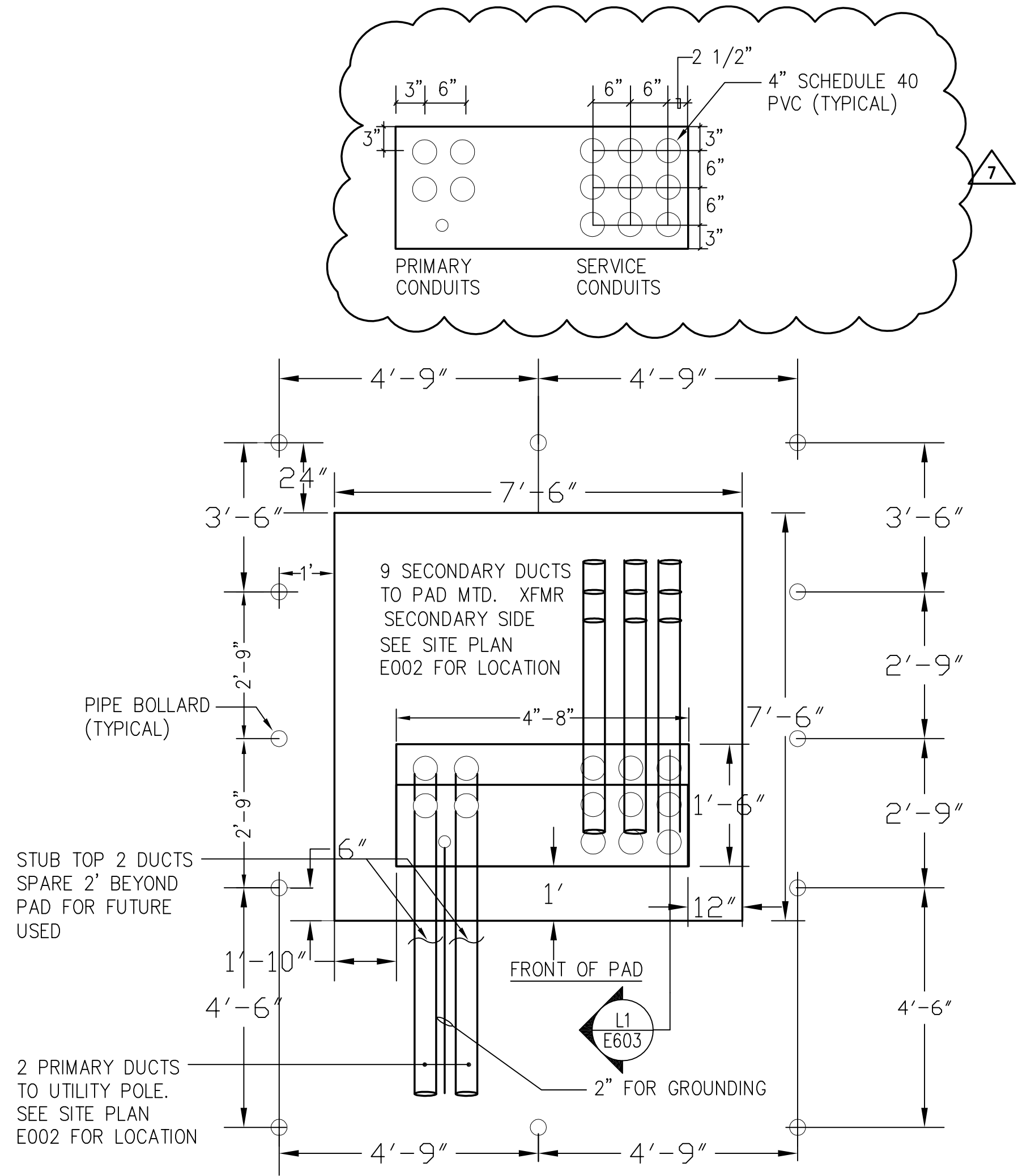
drawing title **ELECTRICAL DETAILS**

seal	designed by DT/PS	project no. 2001038.00
	drawn by PS	CAD file no. \elec\plot\erc-e602.dwg
	checked by DT	drawing no.
	date 02/10/2003	E602
	scale	of



1. CONDUIT BENDS UNDER PAD SHALL BE PER PEPCO CUSTOMER ENGINEERING DEFINITIVE DESIGN STANDARDS.

1. PROVIDE CONCRETE COVER FOR EACH CONDUIT IN ACCORDANCE WITH PEPCO CUSTOMER ENGINEERING DEFINITIVE DESIGN STANDARDS.
2. CONDUIT BENDS UNDER PAD SHALL BE PER PEPCO CUSTOMER ENGINEERING DEFINITIVE DESIGN STANDARDS.
3. MAINTAIN 10 FEET OF UNOBSTRUCTED AREA IN FRONT OF PAD, EXCEPT FOR PIPE BOLLARDS.

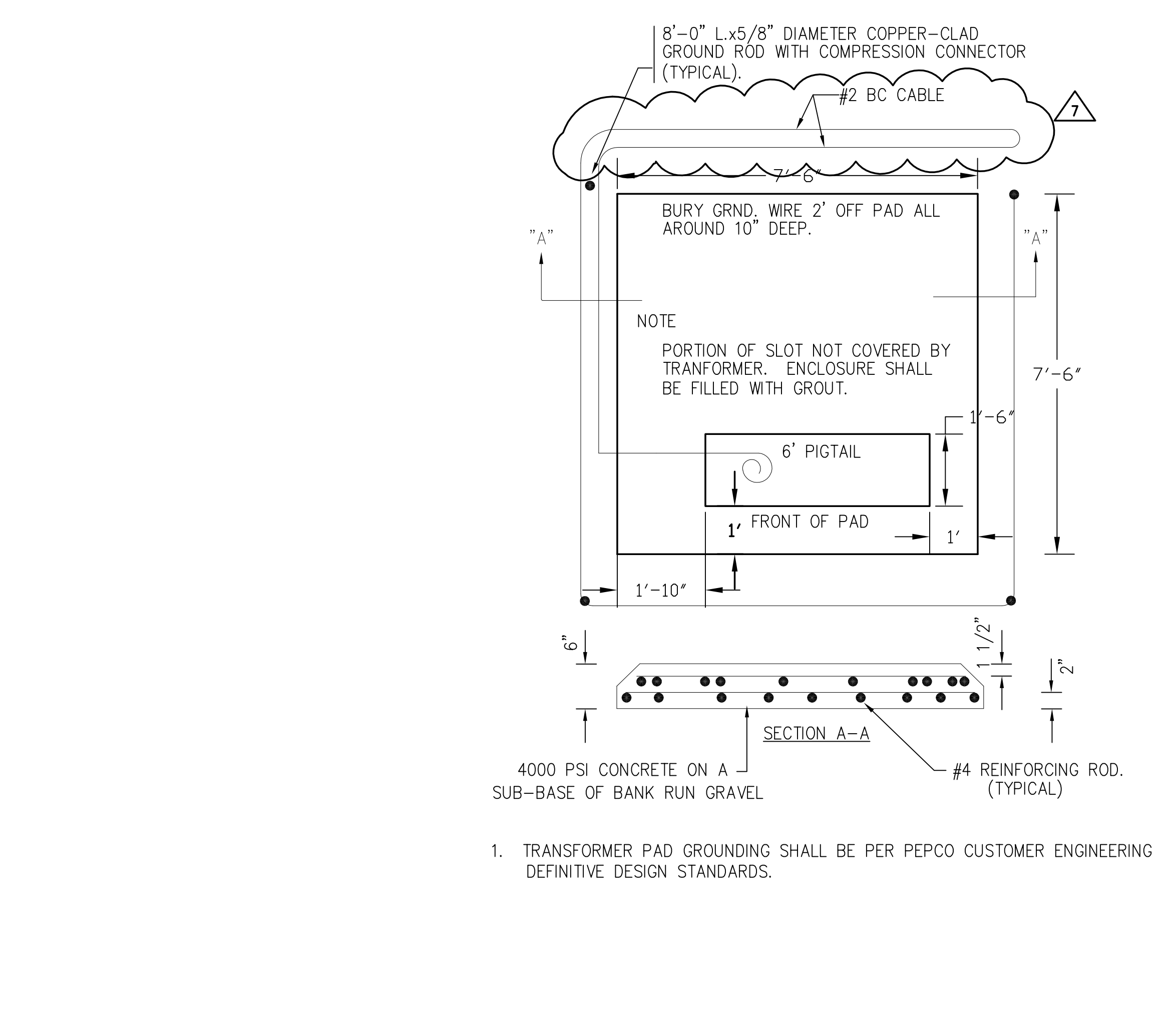


1. THE SWITCHBOARD DIMENSIONS SHOWN INDICATE THE MAXIMUM ALLOWABLE SWITCHBOARD SIZE.
2. REFER TO RISER DIAGRAM DRAWING E401 FOR ADDITIONAL SWITCHBOARD INFORMATION.
3. REFER TO DRAWING E201 FOR MAIN ELECTRIC ROOM EQUIPMENT LAYOUT PLAN.

1. TRANSFORMER PAD GROUNDING SHALL BE PER PEPCO CUSTOMER ENGINEERING DEFINITIVE DESIGN STANDARDS.

H12 PRE-CAST CONCRETE TRANSFORMER PAD

NOT TO SCALE



1. TRANSFORMER PAD GROUNDING SHALL BE PER PEPCO CUSTOMER ENGINEERING DEFINITIVE DESIGN STANDARDS.

REVISED CONSTRUCTION DOCUMENT

no.	revisions/submissions/last update	date
1	Schematic Design Submission	11/21/01
2	Design Development Submission	02/01/02
3	Permit Set	04/29/02
4	Bid Set - Not For Construction	06/14/02
5	Construction Document	06/21/02
6	V.E. BID SET	11/22/02
7	AFTER V.E. - BID SET	02/07/03

**Einhorn
Yaffee
Prescott** ARCHITECTURE & ENGINEERING, P.C.
1000 POTOMAC ST., NW STE. 11
WASHINGTON, D.C. 20007 (202) 471-3500

TAKOMA RECREATION CENTER
300 VAN BUREN STREET, NW
DEPARTMENT OF PARKS AND RECREATION
3149 16th Street, NW
Washington, DC 20010
(202) 873-7647

THE JAMES LYNCH COMPANIES
1508 U Street, NW
Washington, DC 20009
(202) 462-1092

ALPHA CORPORATION
3700 Koppers Street
Baltimore, MD 21227
(410) 646-3044

ELECTRICAL DETAILS

designed by	project no.	2001038.00
drawn by	CAD file no.	
checked by	drawing no.	
date	scale	
02/10/2003	NONE	

E603