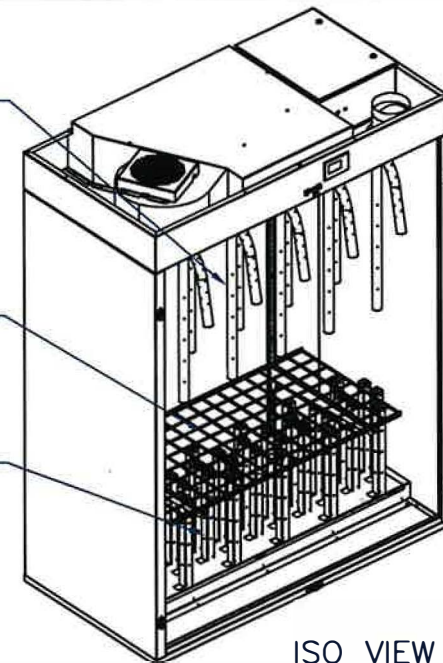
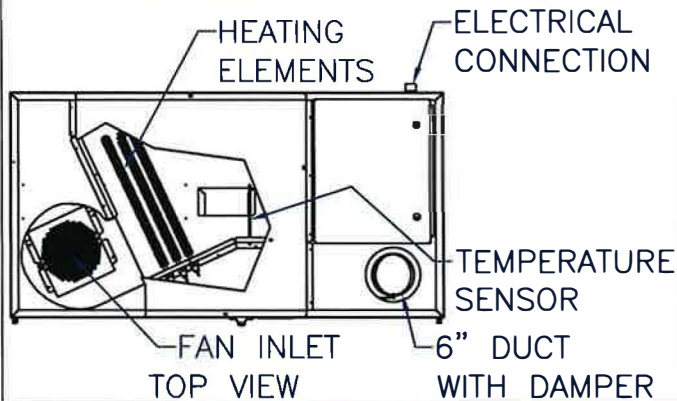


GARMENT HANGERS
 OPERATOR INTERFACE
 OPTIONAL EQUIPMENT RACK(S)
 OPTIONAL ACCESSORY HANGERS



ISO VIEW
 SHOWN WITHOUT DOORS



MACHINE SPECIFICATIONS	
ITEM	DESCRIPTION
CABINET MATERIAL	STAINLESS STEEL
ELECTRICAL	208-230V/60HZ/1 OR 3 PH
ELECTRIC HEATING	12kW
FULL LOAD AMPS	61A-1 PH, 36A-208V/3 PH
AIR CIRCULATION	1200 CFM
EXHAUST	6" DUCT WITH DAMPER
MAX TEMPERATURE	105 DEG F
CAPACITY	6 SETS OF TURN OUT GEAR



CLIENT: **MILNOR**
 MODEL **FC6**
 DRYING CABINET

DESIGNER: **SPM**
 CHECKED BY: **---**
 APP'D BY: **---**
 SCALE: **NTS**
 DRAWING NUMBER: **FC6**

DRAWING REVISIONS		
REV#	DATE	DESCRIPTION
---	2/16/2008	CREATED DRAWING
A	2/16/08	ADDED FLA TO MACHINE SPECIFICATIONS
B	2/18/08	UPDATED CABINET DESIGN ADDED UTILITY CONNECTIONS
C	3/11/08	UPDATED ELECTRICAL INFORMATION
D	11/12/08	UPDATED ELECTRICAL INFORMATION
E	1/17/09	UPDATED CABINET DESIGN
F	2/27/11	UPDATED ELECTRICAL INFORMATION
G	2/27/11	ROUNDED CORNERS AND "RETURN" ON ACCESSORY HANGERS

This document is the property of Leonard Automatics, Inc. It has been prepared to provide information to our client, for their decision making and approval process. Any other uses, without the express written permission of Leonard Automatics, Inc. is prohibited. Furthermore, any reproduction of this document, without the express written permission of Leonard Automatics, Inc. is also prohibited.

DWG IN INCHES
 SHEET 1 OF 1

Attachment J.5 Allowances

Allowances (DGS Controlled)

NOTE: Allowances are considered additional construction capital to be used at DGS discretion. Allowances are not intended to cover cost of Base Contract work and reasonably inferred work for said Base Contract work. Contractor's Base Bid shall include all services, installations, and cost required to complete the project and systems as if there were no Allowances.

- Additional Temporary Kitchen: \$10k
- Additional MEP Work: \$40k

Allowance Total: \$ 50k.

Attachment J.6
Finish Schedule

Area	Description	Manufacturer	Name	Model #	Color	Sheen
Apparatus Bay	Garage Doors	Raynor	TC200 Commercial Sectional Garage Door	TC200	not specified	
Beds	Beds	Butler	Fiero Beds	6070	NA	
Beds	Mattress, Twin XL	Butler	Dual Firm Innerspring	6685	NA	N/A
Ceiling	Drop Ceiling Grid	Armstrong	Prelude XL 15/16" exposed tee		White	N/A
Ceiling	Drop Ceiling Tile (Lockers/Toilet)	Armstrong	Model 672	672	White	N/A
Ceiling	Drop Ceiling Tile (General)	Armstrong	Model 280	280	Plain White	N/A
Counter	Countertop	Dupont	Corian	Terra Collection	Platinum	N/A
Door	Door (Metal)	Ceco Door	Imperial Maxim	1 3/4" - 14 gauge steel	N/A	N/A
Door	Door Frame (Metal)	Ceco Door	N/A	Per Wall Type	N/A	N/A
Door	Door Hardware	Asso Abloy	CecoDoor	??	Steel	
Door	Door Keypad	Nortek Control	LS-1 and 2 Series			
Electrical	3-way Wall Switch Sensor	Sensor Switch	WSX	nWSX PDT LV	White	N/A
Electrical	Ceiling Motion Sensor	Sensor Switch	CM	WSX	White	N/A
Electrical	Cord & Cordset	General Cable	Super Vu-Tron Supreme	S100W; S00W	NA	
Electrical	Electrical Drop Cord 3' Pigtails	Leviton	Type SO 3-12 AWG	NEED MORE INFO ON 10D TO FINETUNE SEARCH		
Electrical	Electrical Drop Cords	Hubbell	Cable Drop	Type SO		
Electrical	Electrical Drop Cords	Hubbell	Outlet	HBL6334CCN		
Electrical	Electrical Drop Cords	Hubbell	Support Grips		Universal Eye, closed mesh, multi weave support grip	
Electrical	Electrical Drop Cords	Hubbell	Screw Hooks	203-03-001		
Electrical	Straight Blade Plugs	Granger	Leviton Plug 5-20P, 20A, 125V	8315-PLC		
Flooring	4" Cove Base	Johnsonite	Vinyl Cove Base	33-051	#40 Black	
Flooring	4" Cove Base(duplicate to 14; different color)	Johnsonite	Vinyl Cove Base		Storm Cloud	
Flooring	Carpet Tile	Mohawk	Altered States	Blurred Lines	Modify 979	N/A
Flooring	Gym Rubber Flooring	Ecore	Everlast	Classic Collection	ELO4 Buff Blue/Grey 10	9MM Roll
Flooring	Quarry Tile	Metropolitan Ceramics	Clear Tones	Quarry Basics	310 Mayflower Red	Unglazed
Flooring	Rubber Stair Treads	Johnsonite	Heavy Duty Diamond Tread Visually Impaired	Special Order		
Flooring	VCT	Armstrong	Standard Excelon Imperial Texture	51915	Charcoal	
Flooring	VCT	Armstrong	Standard Excelon Imperial Texture	51880	Maraschino	
HVAC	Wall-mounted Heat Pump	Mitsubishi Electric	15,000 BTU/H Wall-Mounted Systems	MSZ-GE15NA-8 and -1		
Kitchen	Countertop Microwave	Sharp	2.2 Cu.Ft. 1200-Watts	R651Z5		
Kitchen	Countertop Microwave	G.E.	.7 Cu.Ft. 700-Watts	JES107ZSHSS		
Kitchen	Dishwasher	Frigidaire	24" Built-in Energy Star Dishwasher	FFCD2418US	stainless steel	
Kitchen	Ice Cube Machine	Manitowoc	Q210/270 Ice Cube Machine	not specified		
Kitchen	Kitchen Island Lights	Cocoweb	Oldage Gooseneck BarnLight	not specified	not specified	
Kitchen	Kitchen Mounted Pot Racks	Stainless Craft	Stainless Steel Pot Rack	not specified		
Kitchen	Kitchen Work Tables	Restaurant Max, Inc.	Stocked and Custom Stainless Steel	NA	stainless steel	
Kitchen	Refrigerator, Top-Mount	Frigidaire	20.4 Cu.Ft. Top Freezer	FFTR2021TD		

Area	Description	Manufacturer	Name	Model #	Color	Sheen
Kitchen	Stove Hood	Concave	36" Wall-mounted hood	PLCV36Z40	Stainless Steel	
Laundry	Electric Dryer	Frigidaire	6.7 Cu.Ft; 10-cycle	FFRE4120SW		
Laundry	Electric Top-Load Washer	Frigidaire	12 Wash Cycles 3.9 Cu.Ft.	FFTW4120SW	not specified	
Lighting	1' x 4' Surface Mounted Light	Lithonia.AcuityBrands.Com	1x4 LED Wraparound		White	N/A
Lighting	2' x 2' Drop Ceiling Light	Lithonia.AcuityBrands.Com	2x2 LED Lay-In Troffer		White	N/A
Lighting	2' x 4' Drop Ceiling Light	Lithonia.AcuityBrands.Com	2x4 LED Lay-In Troffer		White	N/A
Lighting	4' Light Bulbs	Phillips	Fluorescent	27248-4	Cool White	N/A
Lighting	Ceiling Fluorescent Lighting	Lithonia.AcuityBrands.Com	I-Beam IBZ			
Lighting	Ceiling Lighting (2x4 optimized)	Columbia Lighting	T8 Lens Troffer	JT8 Series		
Lighting	Ceiling Lighting 2x2	Columbia	LED Specification Grade Lensed Troffer	4PS Series	NA	
Lighting	Ceiling Lighting 2x2 & 2x4	Lithonia.AcuityBrands.Com	Lensed Troffer Lighting	2GT8 Series		
Lighting	Fluorescent Lighting	Lithonia.AcuityBrands.Com	Industrial Strips			
Lighting	LED Wall Light	Norbachi	Wallpack X		12DV Button Photocell	
Lighting	LED Wall Pack/Large	e-conolight	Traditional Style Wall Pack - Large	E-WFT08 Series		
Lighting	Lighting: Vanity 2'3/4'	Lithonia.AcuityBrands.Com	WIDE BAND		NA	
Lighting	Path Lighting LED Wall Pack/Security	e-conolight	E-WP1L	E-WP1L03CZ/E-WP1L03NZ	Cool White; Neutral White	
Lighting	Wall Lamp	RAB Lighting	VBR100DG	VBR100DG	Natural	
Paint	Caulking	GE	GE Silicone II	5040	Clear	N/A
Paint	Paint - Exterior Acrylic Latex	Sherwin Williams	A-100 Exterior Acrylic Latex		NA	
Paint	Paint: Metal Doors & Frame	Sherwin Williams	ProMar	200 Series Alkyd	Network Gray - SW5452; Fire Hydrant Red	Semi-gloss
Paint	Paint: Wall/Ceiling Acrylic Latex	Sherwin Williams	Harmony Zero VOC	SW6020; SW7027; SW0057; SW6119; SW7073	Marooned; Well-Bred Brown; Chinese Red; Antique White; Network Gray	Semi-gloss
Security	Access Management (2-door)	RS2 Technologies	System Control Processor	EP-1502	NA	
Security	Access Management/Dual Reader	RS2 Technologies	Dual Reader I/O Module	MR-52	NA	
Security	Access Management/Enclosure	RS2 Technologies	Enclosure panel	NCL	NA	
Security	Access/Power Supply Charger	Altronix	PS/Chargers with Multi-Output Access Power Controllers	AL600ULACMCB	NA	
Security	Card Readers	GE Multitechnology	Transition Readers (API)		NA	
Security	Doors/Electric Strike	Asso Abloy	HES Innovations 5000 Series	[Securiton, Schlage alternative]	NA	
Security	Doors/Electromagnetic Locks	Dormakaba	Rutherford Controls 8 series	8371;8372	NA	
Security	Doors/Exit Detectors	Detection Systems	MiniMags DS160		NA	
Security	Door Position Switch/Magnetic Contacts	Sentrol	[SPDT; N/O switches; Rare Earth magnet]		NA	
Storage	Steel Open Shelving Units	Ironman	20-Gauge 87" H Steel Open Shelving	20G-75-1836-5; AD20G-75-1835-5	NA	NA
Tile	Ceramic Tile	Daltile	Match Existing	Match Existing	Match Existing	Match Existing
Tile	Quarry Tile	Metropolitan Ceramics	Clear Tones	Quarry Basics	Match Existing	Unglazed
Toilet	Bath Fan	Brao	QT Series	QTXE080C;QTXE150C	NA	
Toilet	Bathroom Partition Kits	Granger	Phenolic	not specified	not specified	
Toilet	Bathroom Sink Faucet	Elkay	Concealed Deck Mount	LK800GND4T6	chrome	
Toilet	Countertop Sink	American Standard	Aqualyn (Rondalyn NA)	0476.028.020	not specified	

Area	Description	Manufacturer	Name	Model #	Color	Sheen
Toilet	Hand Soap Dispenser	Kimberly-Clark	Electric Cassette Skin Care Dispenser	11329	Brushed Metallic	N/A
Toilet	Mirrors (Sm. Single)	Bobrick	Bobrick	B-165 + 1830	Stainless Steel	N/A
Toilet	Mirrors (Sm. Single) - HC	Bobrick	Bobrick	B-293 + 1830	Stainless Steel	N/A
Toilet	Shower Faucet	Delta	Classic Monitor 13 Series	132900		
Toilet	Shower Partitions	Bobrick	Sierra Series Solid Color Reinforced Comp.	1090	Forest Green SC04	N/A
Toilet	Shower Trim (Mixing Valve, Handle, Head)	Delta	Classic Monitor 13	132900	Chrome	N/A
Toilet	Sink (Undermount)	Kohler	Iron Plains	K-5400-0	White	N/A
Toilet	Sink (Wall Mount)	American Standard	Regalyn	4869.004.020	White	N/A
Kitchen	Sink Faucet	Fisher Manufacturing	Pre-Rinse Spring 4" C/C Deck Mount w/ Wall Bracket & Add-on Faucet	34290;34304; 34312;34320;34339;34347	NA	
Kitchen	Sink Faucet	T&S Brass and Bronze Works, Inc.	Pre-Rinse w/ Deck Mount, level Handles, 12" Swing Nozzle w/B-PT Stream Regulator & Add-on Faucet	B-0178		
Toilet	Sink Faucet	Zurn	AquaSpec	Z842M1-RC	NA	
Toilet	Sink Faucets (Wall Mount and Undermount)	Elkay	Commercial Faucet	LK804CF06T4	Chrome Plated Brass	N/A
Toilet	Sink Faucets (Drain)	Kohler	Drain	K-7107-CP	Chrome	N/A
Toilet	Surface Mounted Sanitary Napkin Disposal	Bobrick	Classic Series	B-254	Satin Finish	N/A
Toilet	Toilet	Kohler	Wellcomme Ultra (replaces Wellworth Elongated)	K-96053-0	not specified	
Toilet	Toilet	Sloan Valve Co.	WETS-2002.1002.1.6/1 WES DF	20021002	not specified	
Toilet	Toilet	Gerber	Ultra Dual-Flush Pressure-Assist Elongated	HE-21-312	not specified	
Toilet	Toilet Paper Dispenser	Georgia Pacific	Jumbo Jr. Bathroom Tissue Dispenser	59448	Stainless Steel	N/A
Toilet	Toilet Partitions	Bobrick	Sierra Series Solid Color Reinforced Comp.	1090	Forest Green SC04	N/A
Toilet	Toilet Partitions (Hardware)	Bobrick	DuraLine	1080	TBD	N/A
Toilet	Toilet Seat Cover Dispenser	Georgia Pacific	Safe-T-Gard 1/2 Fold Seat cover Dispenser	57725	Stainless Steel	N/A
Toilet	Toilet & Manual Flush Valve Combo	American Standard	Afwall	2856.016	White	N/A
Toilet	Urinal	American Standard	Maybrook 0.5-1.0 Washout Top Spud	6581.001	white	
Toilet	Urinal Partitions	Bobrick	Sierra Series Solid Color Reinforced Comp.	1090	Forest Green SC04	N/A
Toilet	Urinal & Manual Flush Valve Combo	Kohler	Bardon	K-4991-ET-0	White	N/A
Waste	Recycle Can	Uline	Office	H-1384	Green	N/A
Waste	Trash Can	Uline	Office	S-13527	Black	N/A
Furniture	Office Desk	Kimball				