

(A) ALUM. ENTRY DOOR SCALE: 1/4" = 1'-0"
 (B) FULL PANEL SCALE: 1/4" = 1'-0"
 (C) ALUMINUM SCALE: 1/4" = 1'-0"
 (D) HOLLOW METAL SCALE: 1/4" = 1'-0"

DOOR NOTES:

- VERIFY IN FIELD EXISTING OPENINGS.
- SHAW & FINISH TO FILL EXISTING OPENINGS.
- LABEL DOORS ARE TO HAVE LABEL DOOR FRAMES, LABEL FRAMES TO BE FILLED SOLID WITH:
 - CONSTRUCTION IS MASONRY.
 - MASONRY.
 - CONSTRUCTION OF DOORS & INSTALLATION METHODS.
 - SEE SPECIFICATIONS FOR ADDITIONAL INFORMATION ON HARDWARE.
 - VARIOUS WALL SIZES AND TYPES WILL FIT ASERS SHOWN - SEE PARTITION SCHEDULE, GORR SCHEDULE AND PLANS FOR COORDINATION.
 - UNDERCUT DOORS TO WHICH SCHEDULED SILL.

HARDWARE SCHEDULE :

- HDW-1 - HARDWARE SET 01 (GREENGLASS ENTRY)
 HEAVY DUTY FINNEXS, GAINN JOHNSON #16 9000R, PUPY/PULL LATCH, CONDUIT, DEADBOLT, SLOW, DOWN OPERATOR, DOOR SEAL, THRESHOLD, SURFACE DOOR CLOSER, WEATHER STRIPPING, KICK PLATE (ON INTERIOR SIDE)
- HDW-2 - HARDWARE SET 02 (PERIAC)
 HEAVY DUTY HINGES, SCHLAGE L 9040-06 EXTRA HEAVY DUTY MORPHE FRACRY SET 626 SAINN CHROME, KICK PLATE, WALL DOOR STOP, DOOR SEAL, SILENCER
- HDW-3 - HARDWARE SET 03 (RESTROOM)
 STANDARD HINGES, SCHLAGE LOCKSET 455P9 JUP STANDARD DUTY ENTRANCE CONVENTIONAL CYLINDER, KICK PLATE, WALL DOOR STOP, DOOR SEAL, SILENCER
- HDW-4 - HARDWARE SET 04 (CLASSROOM)
 HEAVY DUTY FINNEXS, GAINN JOHNSON #16 9000R, PUPY/PULL LATCH, MORPHE DOOR, KICK PLATE, WALL DOOR STOP, DOOR SEAL, SILENCER

1 DOOR AND FRAME TYPES
 SCALE: 1/4" = 1'-0"

4 NOTES
 SCALE: NOT TO SCALE

6 NOTES
 SCALE: NOT TO SCALE

DOOR & FRAME SCHEDULE

DOOR	ROOM NAME	DOOR NO	SIZE			MNT	ELEV	FRAME			REMARKS	
			W	H	THK			HEAD	JAMB	SILL		
ENTRY	001	3'-0"	7'-0"	1-3/4"	AL-CL	A	1	H#	J#	S#	1-HR	HDW-1
OFFICE	01	3'-0"	7'-0"	1-3/4"	HM	B	2	H#	J#	S#	--	HDW-2
OFFICE	02	3'-0"	7'-0"	1-3/4"	HM	B	2	H#	J#	S#	--	HDW-2
CORRIDOR	03	4'-0"	7'-0"	1-3/4"	HM	B	2	H#	J#	S#	--	HDW-4
MENS ROOM	04	3'-0"	7'-0"	1-3/4"	HM	B	2	H#	J#	S#	--	HDW-3
WOMEN'S ROOM	05	3'-0"	7'-0"	1-3/4"	HM	B	2	H#	J#	S#	--	HDW-3

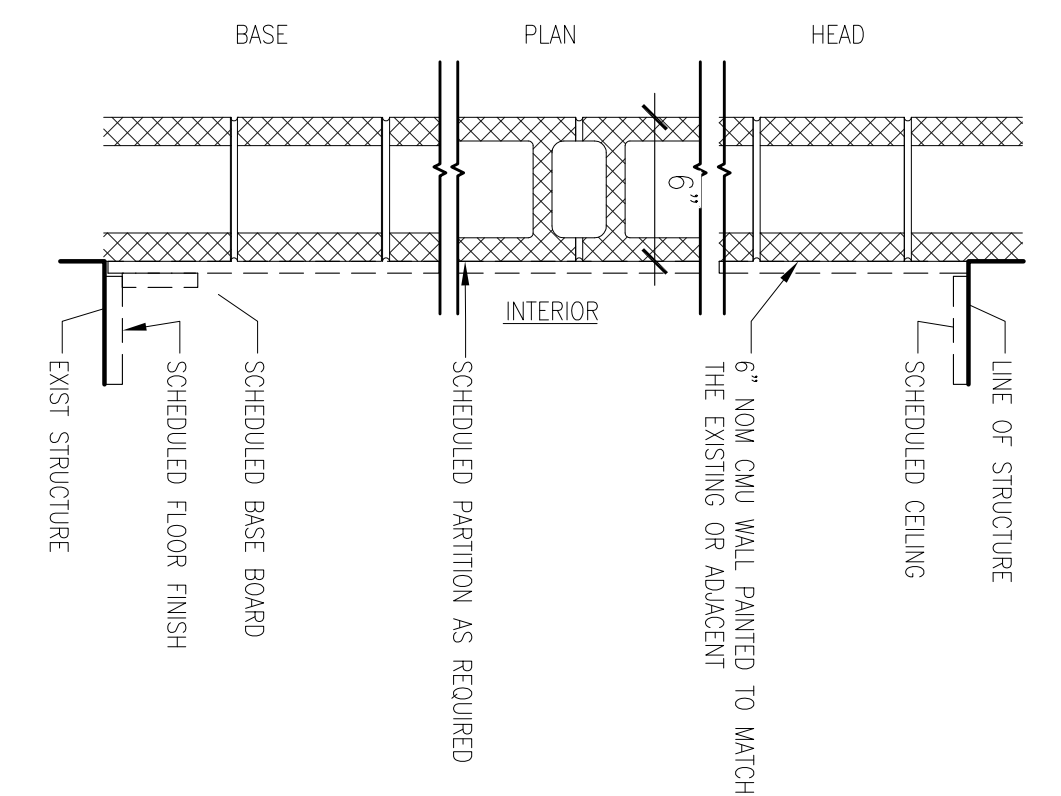
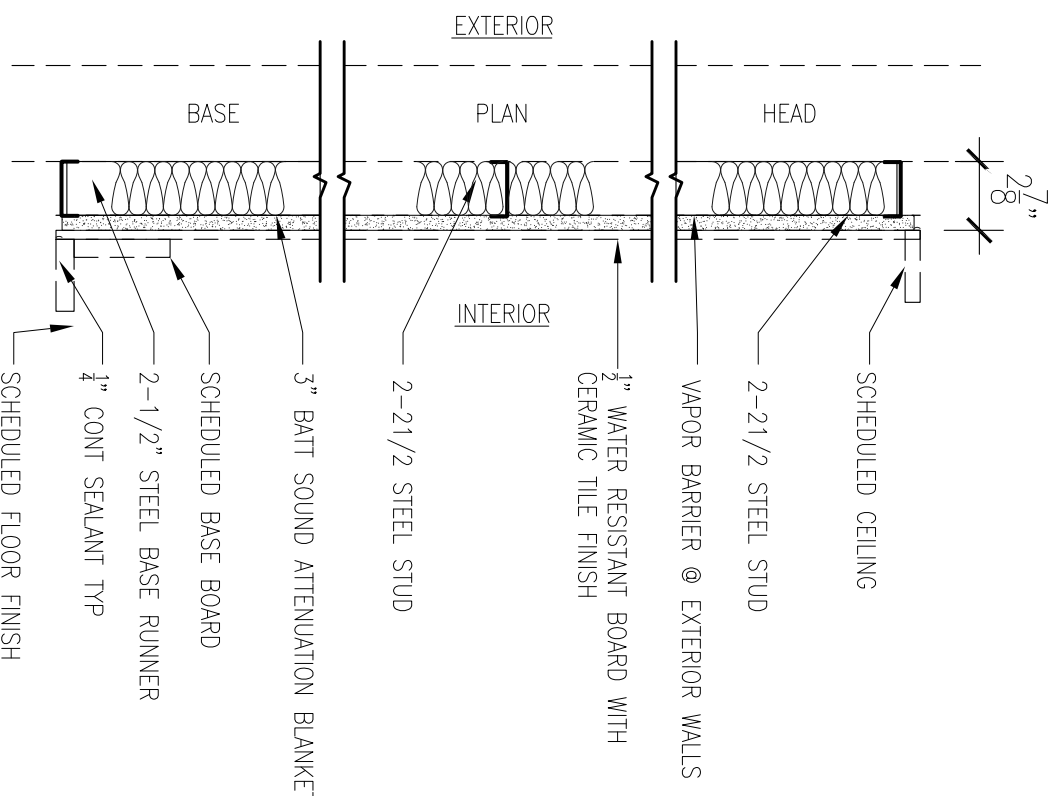
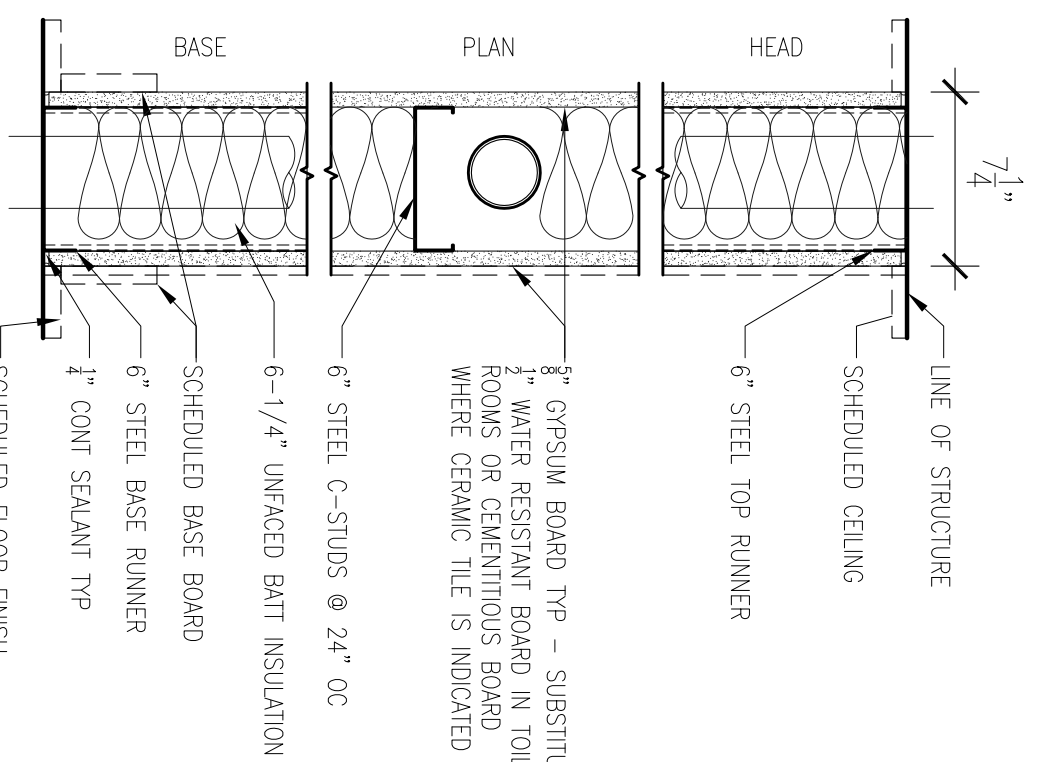
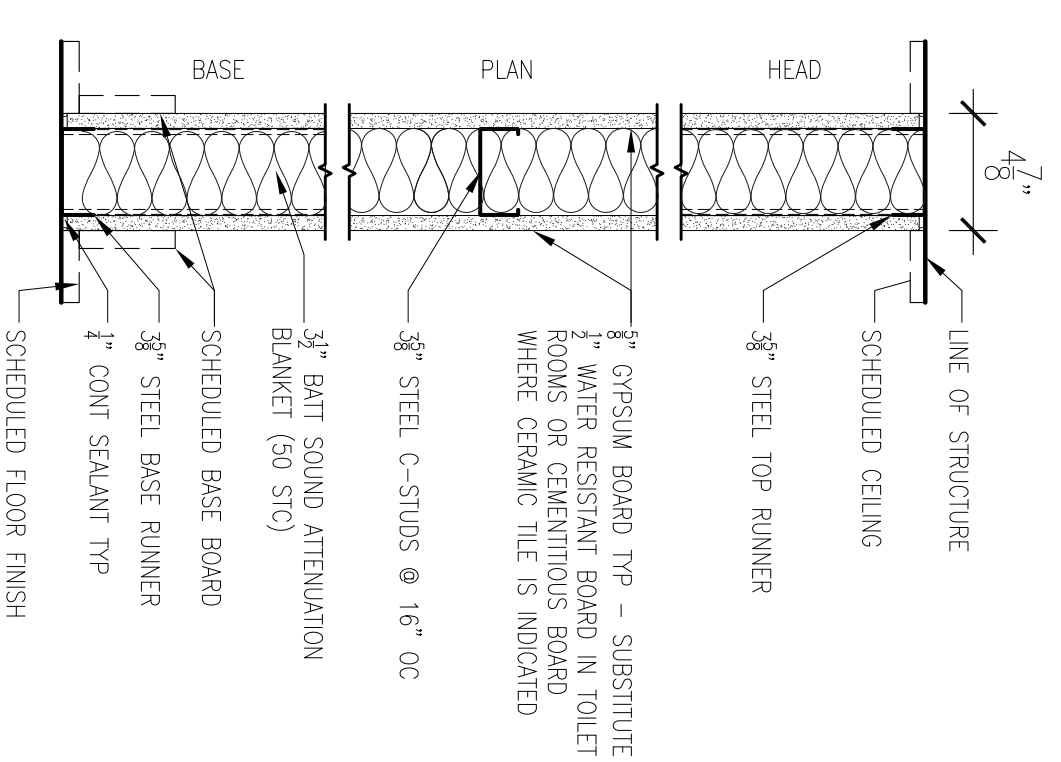
PARTITION NOTES:

- REFER TO THE FLOOR PLANS FOR FIRE RATED WALLS. IF ANY, FIRE RATED CONSTRUCTION SHALL BE CONTINUOUS AROUND NON FIRE RATED STRUCTURAL MEMBERS AND EXTEND TO EXTERIOR WALLS AND FIRE RATED STRUCTURE. USE TYPE X GYPSUM BOARD AT FIRE RATED WALLS.
- REFER TO FINISH SCHEDULE FOR CERAMIC TILE LOCATIONS. USE 20 GAUGE 3/8" METAL STUDS AT CERAMIC TILE LOCATIONS UNLESS MORE RESTRICTIVE REQUIREMENTS ARE SPECIFIED.
- WALL TYPES AND RATINGS INDICATED ON PLAN CONTINUE ABOVE ADJACENT DOOR AND/OR WINDOW OPENINGS.
- PROVIDE TWO (2) LAYERS OF 1/2" GYPSUM BOARD BEHIND CERAMIC TILE WALL FINISH. OUTER LAYER TO BE CERAMIC TILE SPECIFICALLY NOTED ON PLANS OR NOT.
- USE WATER RESISTANT WALL BOARD ON ENTIRE WALL, FULL-HEIGHT, IN TOILET ROOMS, IN AREAS NOT COVERED BY CERAMIC TILE.
- AT FULL HEIGHT PARTITIONS CUT OPENINGS FOR AIR RETURN IN CEILING PLenum. REFER TO MECHANICAL DRAWINGS FOR RETURN AIR REQUIREMENTS.
- VERTICAL PIPES AND DUCTS IN SPACES SHALL BE FURRED AS NECESSARY AND FINISHED IN THE SAME MATERIAL AS THE ADJACENT WALL OR AS NOTED ON THE ARCHITECTURAL DRAWINGS.
- METAL STUDS WITH WOOD BLOOMING TO BE 12" OC AT FIXTURES AND COUNTER TOPS.
- INSULATION MATERIALS IN WALL, ROOF, AND FLOOR ASSEMBLIES SHALL HAVE A FLAME SPREAD INDEX OF NOT MORE THAN 25 AND A SMOKE-DEVELOPED INDEX OF NOT MORE THAN 450 WHEN TESTED IN ACCORDANCE WITH ASTM E 84. (SEE IRC SECTION 318)
- CONTRACTOR SHALL REFER TO UL FIRE RESISTANCE DIRECTORY FOR RATED ASSEMBLY CONSTRUCTION.
- WALLS, PARTITIONS & FLOOR CEILING ASSEMBLIES SEPARATING SPACES SHALL HAVE AN STC RATING MIN OF 50 FOR AIR-BORNE NOISE. (IBC 2012: SECTION 1207.2 ASTM E90)
- FLOOR CEILING ASSEMBLIES SEPARATING SPACES SHALL HAVE AN IMPACT INSULATION CLASS (IIC) RATING OF MIN 50 FOR. (IBC 2012: SECTION 1207.2 ASTM E492)
- USE HIGH-DENSITY/IMPACT GYPSUM BOARD PANELS ON ENTIRE WALL, FULL HEIGHT IN CORRIDORS AND OTHER HIGH TRAFFIC AREAS

2 DOOR SCHEDULES
 SCALE: 1/4" = 1'-0"

AL-CL	WOOD	G-1	G-2	DOUBLE-PANE INSUL. GLASS	DOUBLE-PANE TEMPERED GL.	HM	HOLLOW METAL
-------	------	-----	-----	--------------------------	--------------------------	----	--------------

5 NOTES
 SCALE: NOT TO SCALE



INTERIOR WALL

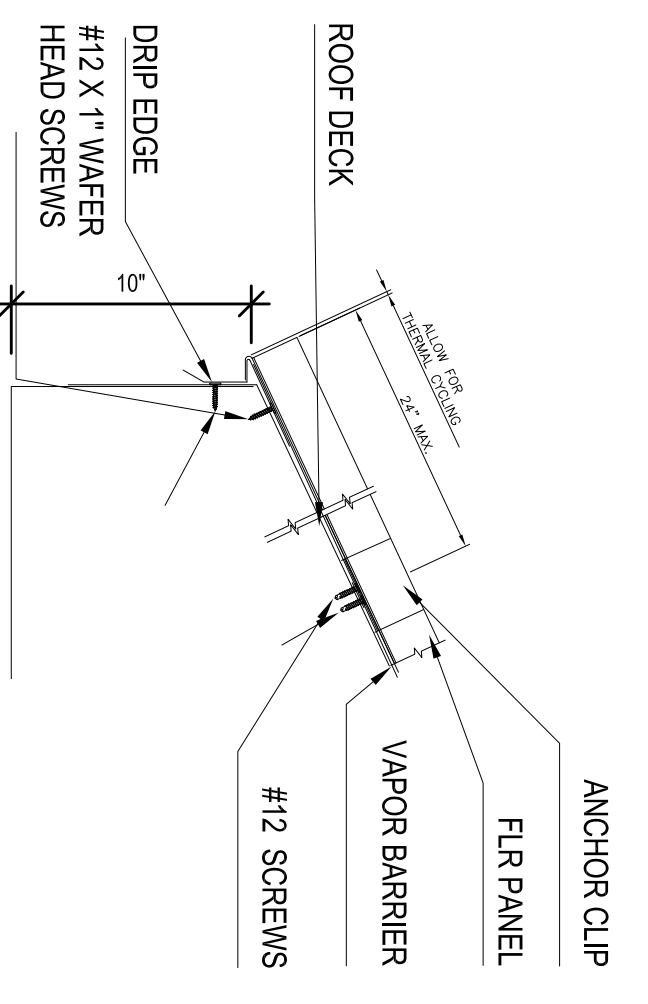
P1 PLUMBING WALL

P2 FURRING WALL (SOUND)

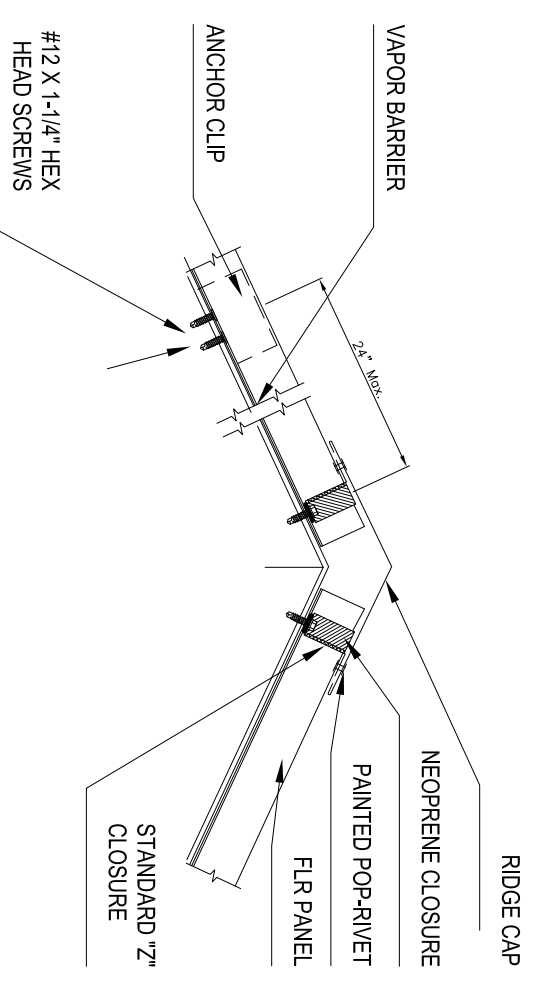
P3 CORRIDOR WALL

P4

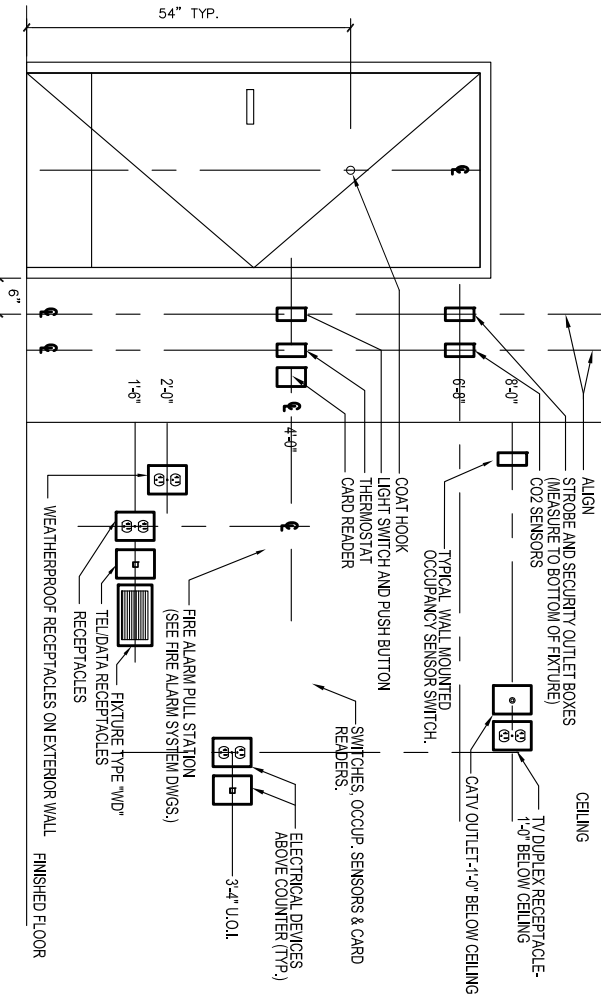
7 ADMIN: ROOF DETAILS - EDGE
 SCALE: 1-1/2" = 1'-0"



8 ADMIN: ROOF DETAILS - RIDGE
 SCALE: 1-1/2" = 1'-0"



9 DEVICE MOUNTING HEIGHTS
 SCALE: NOT TO SCALE



NOTES:

- ALL RECEPTACLES, IT AND LIGHT SWITCH ELEVATIONS ARE TO MATCH THE EXISTING. ALL OTHER ITEMS ARE TO ALIGN AS INDICATED ABOVE.
- ALL ADJACENT DEVICES TO BE GANGED UNDER THE SAME COVERPLATE WHENEVER FEASIBLE.
- GENERAL CONTRACTOR SHALL BE REQUIRED TO RELOCATE ITEMS AT NO ADDITIONAL COST TO EVENT, AS NOTED ON BUILDING OWNER.
- ALL DEVICES SHOWN COVERED TO BE WITH THE UNDESIGNED OTHERS. COVER TYPES STAINLESS OR ALUMINUM. SEE ARCHITECTURAL PLANS FOR FURTHER INFORMATION.
- MOUNT COAT HOOK ON WALL WHERE GLASS LITES IN DOORS PROHIBIT INSTALLATION OF COAT HOOKS ON DOORS. LOCATE HOOK IN FIELD WITH ARCHITECT.
- ALL MOUNTING HEIGHTS SHALL BE MEASURED FROM FINISHED FLOOR TO CENTERLINE OF DEVICES. NOT NECESSARILY THE ELECTRICAL BACK BOX. SHALL BE INSTALLED ON A COMMON VERTICAL CENTERLINE WHEREVER POSSIBLE.
- ALL DEVICES SHALL BE INSTALLED AT MOUNTING HEIGHTS AS INDICATED ON THIS DETAIL UNLESS OTHERWISE NOTED. SEE ARCHITECTURAL DWGS FOR EXACT INSTALLATION.
- DEVICES SHALL BE CENTERED HORIZONTALLY WHEN ON THE SAME HORIZONTAL PLANE.
- INDIVIDUAL MOTOR DISCONNECTING DEVICES MAXIMUM OF 5'0" ABOVE FINISHED FLOOR.

ARCHITECT
dp+partners, llc
 400 7TH STREET, NW SUITE 204
 WASHINGTON, D.C. 20001

M.E.P. FP ENGINEER
SEE MC CARTHY
 SUITE 220
 WASHINGTON, DC 20016

STRUCTURAL / CIVIL
DELTON HAMPTON & ASSOCIATES
 8402 COLLEVILLE RD SUITE 600
 SILVER SPRING MD 20910

Fort Totten Transfers Station Waste Facility
 4900 BATES ROAD NORTHEAST
 WASHINGTON DC 20011

WASHINGTON DC 20009

"The Preferred Choice"
DISTRICT OF COLUMBIA
DEPARTMENT OF
PUBLIC WORKS

WASHINGTON DC 20009

ISSUED 07/27/2018
REVISED :
ISSUED 07/27/2018
REVISED :
ISSUED 07/27/2018
REVISED :

REVISIONS

NO	DATE	AS NOTED
1	06.06.2018	
2	06.17.2018	
3	10.09.2018	
4	12.10.2018	

SCALE AS NOTED
CHECKED
JOB NO. BIDDING 06A

DRAWING TITLE S E A L
SCHEDULES: DOOR AND PARTITIONS

SHEET NO.
A.8