

Also available with 4 or 6 lamps.

FEATURES

- 4 1/4" deep fluorescent troffer eliminates lens shadowing
- Lamp-to-lens spacing is over 2"
- Contoured housing maximizes photometric performance with uniform lens brightness
- Mitered corners on door present a clean uninterrupted appearance
- Rolled edge housing on all four sides makes the fixture safer and easier to handle
- Heavy duty door frame enhances appearance from eye level
- Snug door fit eliminates light leaks
- Recessed, surface or cable mount
- UL listed 1598
- Available with exclusive wiHUBB technology preinstalled
 - Peer to peer, self-healing wireless mesh network
 - Integrated control system for 0-10VDC or step dimming, or On/Off

PROJECT INFORMATION

Project Name _____

Type _____

Catalog No. _____

Date _____

CONSTRUCTION

Housing is constructed of heavy gauge steel, die formed for extra rigidity. Standard flush door is formed steel with mitered corners. Doors are retained by cam action latches, are easily removed without tools, and hinge from either side. Regressed or flush aluminum doors with mitered corners are also available. End caps are hinged and screwed to the housing for extra rigidity. Four integral T-bar clips are located in the end caps. Wireway accessible from below for upgrades or maintenance.

BALLAST & ELECTRICAL

All luminaires are completely wired with class "P," thermally protected, resetting, HPF ballast, sound rated A. Lampholders are medium bi-pin with positive retention. Furnished with an access plate. CEE NEMA Premium compliant.

FINISH

All metal parts processed with a multi-stage phosphate bonding treatment and finished with a high reflectance baked white enamel. For a post painted housing finish suffix catalog number with PAF.

SHIELDING

Standard lens is a 100% prismatic virgin pattern 12. Other shielding media may be specified. If desired shielding media is not shown in ordering guide, contact your local Hubbell Lighting representative.

CEILING COMPATIBILITY

Designed for recessed installation in standard inverted tee grid ceilings (G), recessed installation in hard ceilings (G with FK accessory), Surface mount at ceiling plane (SM) or cable mount suspension below ceiling plane (CM). For compatibility with specific ceilings contact your Hubbell Lighting representative.

CERTIFICATION

All luminaires are built to UL 1598 standards and bear appropriate UL and cUL or CSA labels. Damp location labeling is standard. Emergency-equipped fixtures labeled UL 924.

ORDERING INFORMATION

EXAMPLE 4PS24-3326-FSA12-EU-SLL

4PS 24 -									
MODEL	NO. OF LAMPS	CEILING TYPE	SHIELDING	VOLTAGE	OPTIONS	SIZE	LAMP TYPE	DOOR STYLE	BALLAST
4PS Specification Grade Static Troffer	2 Two 3 Three	G Inverted T-bar (Std.) F Overlap Flange (4 1/2" overall fixture height) M Fit-in Flange (4 1/2" overall fixture height) SM Surface Mount CM Cable Mount ¹	A12 Acrylic Prismatic Pattern 12 A15 Acrylic Prismatic Pattern 15 A19 Acrylic Prismatic Pattern 19 PC1 1/2" x 1/2" x 1/2" Specular Silver Polystyrene Louver PC2 1 1/2" x 1 1/2" x 1" Specular Silver Polystyrene Louver <small>For thicker lens, specify - Example: A12125</small>	U 120V-277V 347 347V	F0735 35K 75 CM T8 Lamps Installed F0835 35K 80CRI T8 Lamps Installed F5835 35K 80CRI T5 Lamps Installed GLR Fast Blow Fuse EL Emergency Battery Pack ELS Emergency Battery Pack, T5 or T5HO PAF Paint After Fabrication SLL Spring Loaded Latches MS9 Master/Satellite Pair w/9' Harness NYC NYC Compliant NYCU NYC Compliant, Union Label WIH wiHUBB Enabled ^{2,3} EOR End of Row (SM or CM only) ⁴ INT Intermediate (SM or CM only) ⁴	24 2' x 4'	28 4', T5: 28 Watt 32 4', T8: 32, 30, 28 or 25 Watt 54 4', T5HO: 54 or 51 Watt	FS Flush Steel FA Flush Aluminum RA Regressed Aluminum SFA Silver Flush Aluminum SRA Silver Regressed Aluminum	E Electronic T8, Instant Start ELW 2-Lamp Electronic T8, 0.77 Ballast Factor, Low Wattage, Instant Start 3E 3-Lamp Electronic T8, Instant Start 3ELW 3-Lamp Electronic T8, 0.77 Ballast Factor, Low Wattage, Instant Start EP Electronic T5 or T8, Programmed Start 3EP 3-Lamp Electronic T5HO or T8, Programmed Start
ACCESSORIES (ORDER SEPARATELY)									
CM48Y2SC3F-KIT 48" Cable Mount Kit for 2' Wide CM ceiling type, 3 Wire Feed Cord									

¹Order hanger accessories separately.
²Not available with Surface Mount Ceiling Types.
³In-Fixture Module Antenna adds 2" to overall fixture height at power feed location.
⁴Provides end wiring access for continuous row mounting. Contact factory for 3-lamp configurations.

For specific ballast vendor, show as option.



#09j

e-conolight

PREMIUM LED WALL PACK – SMALL
38-WATT LED
(E-WP1L SERIES)

Applications: Security, pathway and perimeter lighting; ideal for entryways and other applications where control of spill light is important.

Typical Mounting Height: 8 to 15 feet

Typical Spacing: 1 to 2 times the mounting height



4-1/2"H x 6-3/4"W x 9-1/2"D

Catalog #	Description	Input Voltage	Delivered Lumen Output	CCT	CRI	Lifetime (L70 at 25°C)	Weight	Comparable To:
E-WP1L03CZ	38W LED Cool white	120V-277V	2000 Lumens	5700K	73	50,000 Hours	7 lbs	70W PSMH
E-WP1L03NZ	38W LED Neutral white	120V-277V	2000 Lumens	4100K	74	50,000 Hours	7 lbs	70W PSMH

Features

- 50,000 hours of maintenance-free operation to L70 at 25°C
- Non-dimmable
- Low copper, die-cast aluminum housing and lens frame
- Dark bronze polyester powder-coat finish
- Fixed cutoff glare shield to reduce light pollution
- Tempered glass lens, thermal shock and impact resistant
- Patented lens design delivers true IES Type III distribution
- Mounts over recessed Junction box or with conduit
- Die-cast detachable back box for easy mounting
- 75°C minimum supply wire required
- Universal voltage (120V through 277V)
- Minimum starting temperature: -40° F
- Heat dissipating fins
- Conduit entries on all sides of the fixture
- Two knockouts provided on back for conduit or J-box mounting
- RoHS compliant
- UL Listed for wet locations
- Cree® LEDs inside
- 3-year warranty

Accessories



Photocell is field installed.
Drilling of the back box
in the field is required.

CAT.#: E-ACP1 (120 volts)

CAT.#: E-ACP2 (208/240/277 volts)

Rubber Cord

Cord & Cordset

Super Vu-Tron[®] Supreme Types SJOOW/SOOW 105°C 300 and 600 Volt UL/CSA Portable Cord



Product Construction:

Conductors:

- 18 through 10 AWG fully annealed stranded tinned copper per ASTM B-174

Insulation:

- Premium-grade, color-coded, oil-resistant 105°C EPDM
- European color code: See chart below

Jacket:

- Super Vu-Tron[®] Supreme, yellow
- Temperature range: -50°C to +105°C UL/CSA
- Voltage rating: 300 volts Type SJOOW, 600 volts Type SOOW

Jacket Marking:

- CAROL SUPER VU-TRON[®] SUPREME (SIZE) (mm²) 105°C (UL) WATER RESISTANT SJOOW (OR SOOW) CSA -50°C FT-1 — P-123-103 MSHA (VOLTS) ROHS MADE IN USA

Applications:

- Machine tools
- Power tools
- Dockside power applications
- Motor leads
- Portable machinery
- Cranes
- Submersible pumps
- Where water immersion is required
- Severe environment OEM/MRO applications

Features:

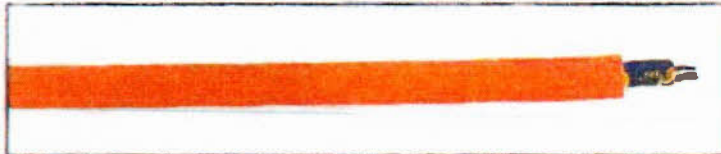
- Excellent flexibility in cold temperatures
- Lasts longer in flex applications (Class M stranding)
- Integral Flexfil[®]
- Ozone-sunlight (UV)- and weather-resistant
- UL Listed and CSA Certified for indoor and outdoor use
- Water-resistant
- Safety-colored, with high-visibility yellow jacket
- High heat and flame resistance
- Resistant to sunlight, oils, acids and chemicals
- Excellent abrasion and cut resistance
- TRU-Mark[®] sequential footage marking
- Tinned copper conductors — corrosion/oxidation-resistant

Industry Approvals:

- UL Flexible Cord - UL Subject 82
- CSA Flexible Cord - C22.2-49
- MSHA Approved
- OSHA Acceptable
- JCS80
- RoHS Compliant

Packaging:

- 250' (76.2 m), 500' (152.4 m), 1000' (304.8 m)
- Other put-ups available on special order



TYPE SJOOW - 300 VOLT - UL/CSA

CATALOG NUMBER	NO. OF COND.	AWG SIZE	COND. STRANDS	MIN. INS. THICKNESS		JACKET NOMINAL O.D.		CURRENT AMP-AC	APPROX. NET WT. LBS/100'	APPROX. COPPER WT. LBS/100'	STD. STL.
				INS.	JACKET	INS.	JACKET				
02801	2	18	41/34	.048*	0.030	0.76	0.910	7.87	10	80	10 1000'
02802	3	18	41/34	.048*	0.030	0.76	0.920	8.13	10	70	15 1000'
02803	4	18	41/34	.048*	0.030	0.76	0.945	8.78	7	85	20 250'
02804	2	16	65/34	.061*	0.030	0.76	0.918	8.00	13	87	16 1000'
02805	3	16	65/34	.061*	0.030	0.76	0.935	8.51	13	83	24 250'
02806	4	16	65/34	.061*	0.030	0.76	0.970	9.40	10	100	32 250'
02807	2	14	105/34	.078*	0.030	0.76	0.970	9.40	16	90	26 250'
02808	3	14	105/34	.078*	0.030	0.76	0.975	9.53	18	114	41 250'
02809	4	14	105/34	.078*	0.030	0.76	0.995	10.22	16	132	65 250'

TYPE SOOW - 600 VOLT - UL/CSA

CATALOG NUMBER	NO. OF COND.	AWG SIZE	COND. STRANDS	MIN. INS. THICKNESS		JACKET NOMINAL O.D.		CURRENT AMP-AC	APPROX. NET WT. LBS/100'	APPROX. COPPER WT. LBS/100'	STD. STL.
				INS.	JACKET	INS.	JACKET				
02811	2	18	41/34	0.030	0.76	0.365	9.27	10	75	10	250'
02812	3	18	41/34	0.030	0.76	0.375	9.53	10	84	15	250'
02813	4	18	41/34	0.030	0.76	0.400	10.16	7	110	21	250'
02814	2	16	65/34	0.030	0.76	0.370	9.40	13	88	16	250'
02815	3	16	65/34	0.030	0.76	0.395	10.03	13	105	24	250'
02816	4	16	65/34	0.030	0.76	0.425	10.80	10	127	32	250'
02817	5	16	65/34	0.030	0.76	0.515	13.08	8	181	40	250'
02818	2	14	105/34	0.045	1.14	0.510	12.95	16	155	28	250'
02819	3	14	105/34	0.045	1.14	0.525	13.34	18	176	41	250'
02820	4	14	105/34	0.045	1.14	0.575	14.61	15	218	55	250'
02821	5	14	105/34	0.045	1.14	0.675	17.15	12	285	68	250'
02822	2	12	188/34	0.045	1.14	0.590	14.99	25	200	41	250'
02823	3	12	188/34	0.045	1.14	0.600	15.24	25	243	67	250'
02824	4	12	188/34	0.045	1.14	0.650	16.61	20	295	80	250'
02825	5	12	188/34	0.045	1.14	0.730	18.54	16	315	103	250'
02826	3	10	259/34	0.045	1.14	0.660	16.78	30	299	99	250'
02827	4	10	259/34	0.045	1.14	0.710	18.09	26	413	132	250'
02828	5	10	259/34	0.045	1.14	0.770	19.58	20	432	168	250'

TOP PERFORMANCE IN THE TOUGHEST ENVIRONMENTS

Fluids (Group 1) at 250°F (121°C) for 24 hours	Fluids (Group 2) at 250°F (121°C) for 24 hours	Fluids (Group 3) at 250°F (121°C) for 24 hours
ACETIC ACID (50%)	+1000 ENGINE OIL	+1000
ALUMINUM HYDROXIDE	+132 LIME OIL	+100
ANTIFREEZE	+80 MILK	+400
FEAR	+400 WETTED ASPHALT	+200
BLEACH WATER	+200 SALTED OIL	+300
BUTYL ALCOHOL	+100 MOTOR OIL	+100
CORROSION	+100 POWER STEERING	+100
FORMALDEHYDE	+100 SULFURIC ACID (10%)	+200
GLYCOL (ANTI-FREEZE)	+100 TOLUENE	+200
HYDROCHLORIC ACID (10%)	+100 UNLEADED GAS	+200
JL-4	+100 WATER	+200
ACETONE	+1000	+200

* Non-stock item; minimum quantity purchase required.
† Green conductor for grounding only. Ampacities based on NEC table 400.5(A)
‡ Actual shipping weight may vary.

COLOR CODE CHART

NO. OF CONDUCTORS	COLOR
2	Black, White
3	Black, White, Green/Yellow
4	Black, White, Red, Green/Yellow
5	Black, White, Red, Orange, Green/Yellow



#10b

Electrical Drop Cords

The cable drop shall be Type SO with 3-12 AWG 90 Degree C wires Heavy Duty Type.

The outlet shall be a 20A Nylon/Lexan Straight blade female connector similar Hubbell HBL6334CCN.

The support grips shall be Hubbell Heavy Duty Universal Eye, Closed Mesh Multi Weave Support Grip or equal appropriate grip.

Provide Screw Hooks similar to Hubbell #203-03-001 or other types of support devices as needed.

Single Eye, Closed Mesh, Service Drop, Heavy Duty Support Grips, 0.75

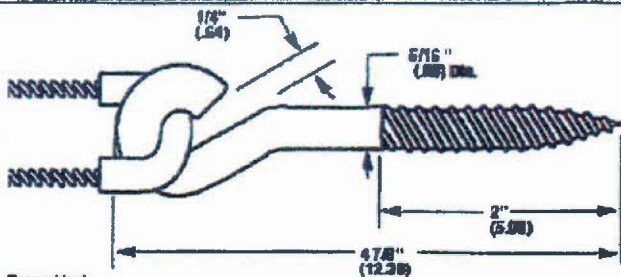


Product Information

Support Grip

Supporting Grips Provide Permanent Support Of Loads And Long Runs Of Vertical And Horizontal Cables.

20303001 -- S-Hook



Screw Hook
No. 203-03-001
Yield Strength 900 lbs (4000)



View Product Family

#10c



Plug, 5-20P, 20A, 125V

LEVITON

Price: \$35.30 / each

Deliver one time only

Auto-Reorder Every 1

Typically in Stock

☆☆☆☆☆

Item # 1PKN6

Mfr. Model # 8315-PLC

UNSPSC # 39121402

Catalog Page # 610

Shipping Weight 0.16

lbs.

Country of Origin United States Of AmericaCountry of Origin is subject to change.

Technical Specs

Item	Plug
Amps	20
NEMA Configuration	5-20P
Number of Poles	2
Number of Wires	3
Voltage	125VAC

HP	1
Color	Transparent
Grade	Hospital
Material of Construction	Super Tough Nylon
Cord Size	0.245 to 0.700"
Standards	UL/CSA/NOM 057/NEMA WD-8/ANSI C-73

Compliance and Restrictions

None

#10d

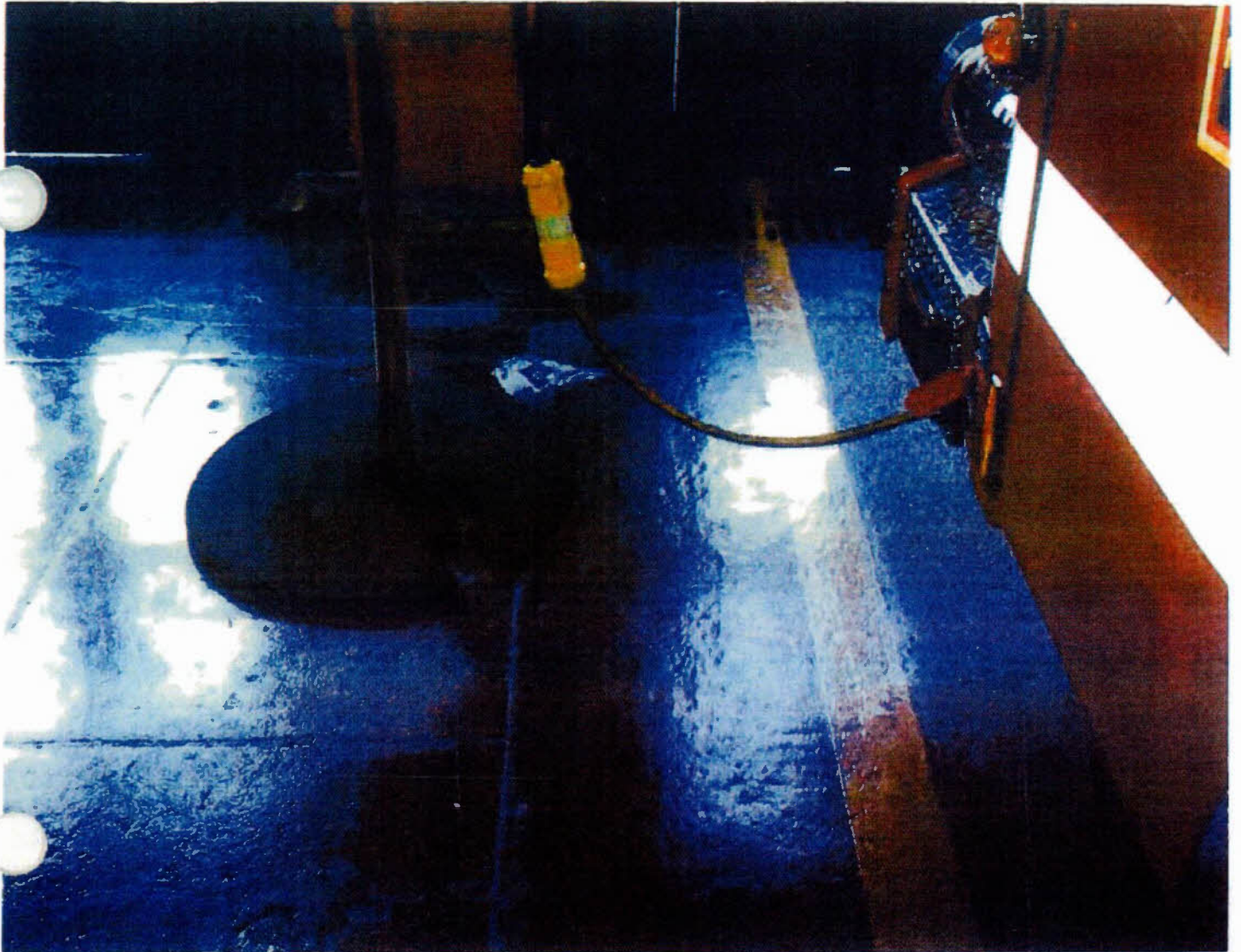
PIGTAILS FOR ELECTRICAL DROP CORDS

The PIGTAIL shall be 3' feet in length, of Type SO with 3-12 AWG 90 Degree C wire Heavy Duty Type. On one end shall be a 20A Nylon/Lexan Straight Blade male connector or similar Hubbell HBL5366C. On the other end a 20A Nylon/Lexan female connector similar Hubbell HBL6334CCN.

→ Leviton

After Installation Drop Cord should not come in contact with the floor

No cord reel
Hanging male should not be long enough to plug directly into vehicle
Pig tail should not touch the floor



Wall Switch Sensors

#11a

WSD



FEATURES

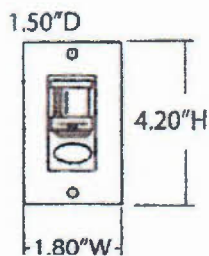
- No neutral required / no minimum load (even for dual technology)
- Mounting strap provides redundant grounding
- Reversible line and load connections (impossible to wire backwards)
- All-digital push-button programming; settings include Time Delay, Auto On or Manual On or Enable/Disable Switch
- Adjust all WSD series settings without removing wall plate or using tools
- WSD Series: 800W/1200W at 120/277 VAC detects hand motions to 20 ft

ORDERING INFORMATION

Catalog Number	UPC	Description	Pallet Qty.	Standard Carton Qty.
WSD WH	745975809714	Wall Switch Decorator Sensor - Passive Infrared (PIR), White	1728	1
WSD PDT WH	745975810048	Wall Switch Decorator Sensor - Dual Technology (PDT), White	1728	1
WSD 2P WH	745975809381	Wall Switch Decorator Sensor - Passive Infrared (PIR), 2-Pole, White	1728	1
WSD PDT 2P WH	745975810086	Wall Switch Decorator Sensor - Dual Technology (PDT), 2-Pole, White	1728	1
WSD IV	745975809664	Wall Switch Decorator Sensor - Passive Infrared (PIR), Ivory	1728	1
WSD PDT IV	745975809998	Wall Switch Decorator Sensor - Dual Technology (PDT), Ivory	1728	1
WSD 2P IV	745975809674	Wall Switch Decorator Sensor - Passive Infrared (PIR), 2-Pole, Ivory	1728	1
WSD PDT 2P IV	745975810024	Wall Switch Decorator Sensor - Dual Technology (PDT), 2-Pole, Ivory	1728	1

DIMENSIONS

WSD



CONTROLS

TYPICAL APPLICATIONS

- Private Offices where occupant turns back to sensor
- Restroom with Stalls
- Storage rooms with shelving

FEATURES

- Patented Dual Technology with PIR/Microphonics™ Detection
- Small Motion Detection to 20 Feet
- Time Delay: 30 sec. to 20 minutes, selectable in 2.5 min. increments
- Green LED Activity Indicator
- Push-Button Programmable

AVAILABLE OPTIONS

- Vandal-Resistant Lens (-V)
- Isolated Low Voltage Relay (-R)
- Low Temp/Hi Humidity (-LT)

SPECIFICATIONS

- Size: 4.2" H x 1.8" W x 1.5" D (10.67cm x 4.57cm x 3.81cm)
- Sensor Weight: 5 Ounces
- Colors: Ivory, White, Gray, Almond
- Mounting Height: 30 to 48 inches
- Relative Humidity: 20 to 90% non-condensing
- Operating Temp: 14° to 85° F (-10° to 29° C)
- Storage Temp: -14° to 160° F (-26° to 71° C)
- Operating Voltage: 12-24 VAC/VDC
- UL and CUL Listed
- 5 Year Warranty
- Made in U.S.A.

LOW TEMP/HI HUMIDITY(-LT)

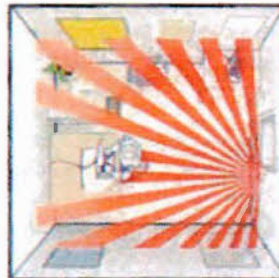
- Conformally coated Circuit Board is corrosion resistant from moisture
- Operates down to -4° F (-20° C)

WSD-PDT-LV Series

Programmable Edition!

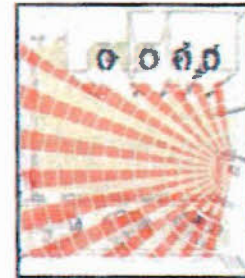


Dual Technology in a low voltage Wall Switch Sensor! The *WSD-PDT-LV Series* is by far the most powerful Decorator occupancy sensor ever invented. This sensor combines Passive Infrared (PIR) detection with patented Microphonics™; enabling it to literally "See & Hear" occupants in areas with or without obstructions. A user programmable time delay ensures that once the room is vacated the sensor will time out and turn off the lights. *WSD-PDT-LV* sensors also have additional On Modes and Switch Modes that are all fully programmable using the front push-button. Additionally, the *WSD-PDT-LV* offers a Vandal Resistant version for high abuse or public areas.



Small Office

- Sensors maintain effectiveness in obstructed locations
- Detects keyboard, phone, paper shuffling



Bathrooms

- Senses partitioned spaces
- Voice sound re-activation prevents lights out condition

SENSOR OPERATIONS

Sensors with Passive Dual Technology (PDT) first "See" motion using Passive Infrared (PIR) and then engage Microphonics™ to "Hear" sounds that indicate continued occupancy. This patented technology uses Automatic Gain Control (AGC) to dynamically self adapt a sensor to its environment by filtering out constant background noise and detecting only noises typical of human activity. When occupancy is detected, a DC output goes high and can drive up to 200 mA of connected load. The sensor is powered with 12-24 VAC/VDC and typically operates with a PP-20 or MP-20 Power Pack; enabling complete 20 Amp circuits to be controlled. An internal timer, factory set at 10 minutes, keeps the lights "On" during brief periods of no activity. This timer is selectable at 2.5 minute increments from 30 seconds to 20 minutes, and is reset every time occupancy is re-detected. If needed, a 10 second grace period also allows the lights to be voice reactivated after shutting off.

LOW VOLTAGE RELAY OPTION (WSD-PDT-LV-R)

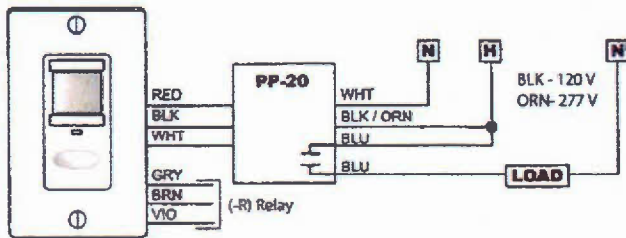
To enable a sensor to interface with a building management system, the -R option provides dry contact closure via a SPDT, 1 Amp, 40 Volt relay. The relay is energized while the sensor registers "Unoccupied". The relay is then de-energized when the sensor registers "Occupied".

MODEL NUMBERING SYSTEM: WSD-PDT-LV-[LENS]-[LV RELAY]-[COLOR*]-[TEMP/HUMIDITY]

SERIES #	LENS	LOW VOLTAGE RELAY	COLOR	TEMP/HUMIDITY
WSD-PDT-LV	Blank = Standard -V = Vandal Resistant	Blank = No Relay -R = w/ SPDT Relay, 1 Amp	-I = Ivory -W = White -G = Gray -A = Almond	Blank = 14° to 85° F -LT = -4° to 85° F

WIRING INSTRUCTIONS

Wire lead connections are Class II, 18 to 22 AWG.



STANDARD WSD-LV

RED – 12 to 24 VAC/VDC
 BLACK – Common
 WHITE – Output (High DC for Occupancy)

LOW VOLTAGE RELAY OPTION WIRING

GRAY / BROWN – Connected during Occupied state
 VIOLET / BROWN – Connected during Unoccupied state
 Note: Relay is energized during Unoccupied state and must have power at all times to function.

OPERATIONAL MODES

On Modes (*Default)

- Automatic On*** - The sensor automatically turns the lights on when the sensor detects occupancy.
- Manual On** - The occupant must push the sensor's button to turn the lights on.
- Reduced Turn-On** - The sensor is set to initially only detect large motions, effectively ignoring any reflected PIR signals while still sensing occupants when they enter the room. Once on, the sensor returns to maximum sensitivity.

Switch Modes

The default operation of the push-button switch will turn the lights off no matter what the occupancy state. The lights will stay off until the switch is pressed again, restoring the sensor to Automatic On.

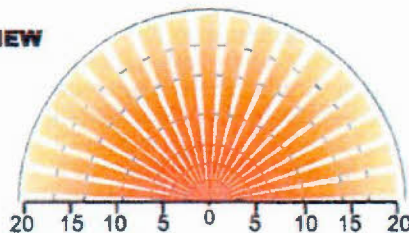
Other switch modes include:

- Switch Disable** - Prevents user from manually turning off the lights via the push-button.
- Predictive Off** - Pressing the switch overrides the lights off and disables the occupancy detection. After an exit time delay (default 10 seconds) the occupancy detection reactivates and monitors for an additional grace period time (default 10 seconds). If no occupancy is detected during this period, the sensor will revert to Automatic On operation. If occupancy is detected, the sensor will remain in permanent off mode requiring the switch to be pressed again in order to restore the sensor to Automatic On.

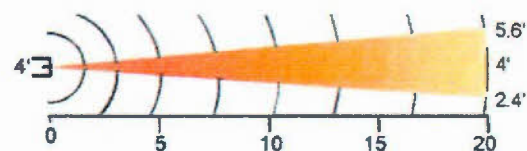
AREA OF COVERAGE:

The PIR collector beams view out horizontally in a wall-to-wall pattern. The beams will see out to 50 feet, however, their effectiveness with *Standard Lens* is 20 feet for small hand or body motions and 10 feet for the *Vandal Resistant lens*. The *Microphonics™* will detect normal human activity up to 20 feet, but will detect greater distances in spaces with hard floors or very quiet rooms with little or no background noise.

TOP VIEW



SIDE VIEW



STANDARD vs. VANDAL RESISTANT LENS

The Standard lens should be used in typical offices or rooms where occupants work for extended periods of time. The Vandal Resistant lens should be used in high abuse or public areas, where occupants simply come and go and make larger types of motions. Copy rooms, small public restrooms, storage or janitor's closets are ideal applications. A sensor with a Vandal Resistant lens will have its PIR detection range reduced by 50%, however the Microphonics™ range is not affected.

WARRANTY: Sensor Switch, Inc. warrants these products to be free of defects in manufacture and workmanship for a period of sixty months. Sensor Switch, Inc., upon prompt notice of such defect will, at its option, provide a Returned Material Authorization number and a replacement product.
LIMITATIONS AND EXCLUSIONS: This Warranty is in full lieu of all other representation and expressed and implied warranties (including the implied warranties of merchantability and fitness for use) and under no circumstances shall Sensor Switch, Inc. be liable for any incidental or consequential property damages or losses.



SENSOR SWITCH, INC.
 900 Northrop Rd., Wallingford, CT 06492
 (203) 265-2842 info@sensorswitch.com
 www.sensorswitch.com

revised 09/19/2005
 copyright Sensor Switch, Inc. 2005

TYPICAL APPLICATIONS

- Used with Low Voltage Sensors
- Multiple Sensors
- Multiple Loads
- AC Switching Only

HIGHLIGHTS

- Dual Voltage Transformer
- Self-Contained Relay
- Patented Relay Circuit Protection (Tested to over 400,000 cycles)
- Powers up to 14 sensors

SPECIFICATIONS

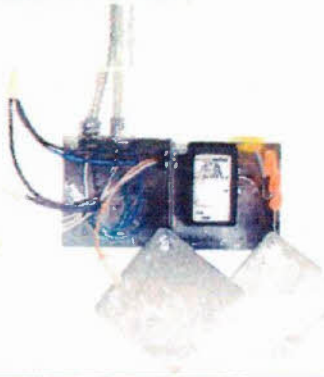
- Size: (1/2" inch chase nipple not inc.)
PP20 2P: 4 1/8 x 3" x 1 7/8"
PP20 & SP20: 3" x 2 1/4" x 1 7/8"
- Mounting: 1/2" inch chase nipple
- Operating Voltage: 120, 240, or 277 VAC (Single Phase only)
- Each Relay: 20 Amps
- 1 HP Motor Load
- Output Voltage: 15 VDC, 150 mA at 120 or 277 VAC
- Class II: 18 AWG, up to 2,000 ft.
- Plenum Rated
- Relative Humidity: 20 to 90% non-condensing
- Operating Temp: 14° to 160° F
- Storage Temp: -14° to 160° F
- UL and CUL Listed
- 5 Year Warranty
- Made in U.S.A.

LOW TEMP/HI HUMIDITY(-LT)

- Conformally Coated PCB
- Operates down to -40° F
- Corrosion resistant from moisture

PLENUM CONSIDERATIONS

Most local codes allow for small plastic controls in Return Air Plenums; *Some Do Not!* To meet local code, the Power Pack can be mounted inside an adjacent (Deep) junction box as shown below.



PP20 PP20 2P SP20



Plenum Rated

Power Packs are the heart of the Low Voltage Sensor System. The PP20 transforms 120, 240 or 277 Volts (single phase) to class II 15 VDC to power the remote sensors. Utilizing Patented Relay Circuit Protection the PP20 also switches the lighting load "On" and "Off": Tested to over 400,000 cycles at rated load! Although Plenum Rated, the elongated mounting nipple allows for the PP20 to be mounted either directly thru a 1/2" inch knockout in a junction box, or to be located inside an adjacent box for specific local code requirements. Up to 14 sensors may be connected to one PP20. Multi-circuit control can be handled by multiple PP20's, or 2-Pole Power Packs (PP20 2P) and Slave Packs (SP20) may be configured. PP20's can be wired continuously hot (line side), or on the switch leg (load side) without nuisance delays upon turn "On".

LOW VOLTAGE OPERATION AND TEST

The Low Voltage Wires or Terminal is color coded Red (15 VDC), Black (Common), and White (Occupancy Signal). With no sensors connected, using a small wire, connect the Red terminal to the White. The lights should turn "On". Remove the connection and the lights should turn "Off". With the sensors connected, the Red and Black wires provide DC power to the remote sensors, and when there is occupancy detected, the White wire produces a 15 VDC signal from the sensor to the power pack initiating the lights to "On". Upon initial power up, the Sensors automatically send an "On" signal until the sensors have stabilized and "Timed Out".

SIZING OF THE SYSTEM - VARIOUS COMBINATIONS

Combining Power Packs provides for additional power to drive remote devices. Maximum numbers of remote sensors are shown below based on the Power Pack/Slave Pack being used.

	Sensors	Sensors with Relay
1 PP20	14	8
1 PP20 2P	7	6
1 PP20 w/SP20	7	6
1 PP20 2P w/SP20	5	5
2 PP20	28	16
2 PP20 2P	14	12

Note 1: Only three relays may be controlled with one Power Pack. If more than three circuits are required, multiple Power Packs must be used.

Note 2: Only one "Sensor with Relay" is required in most cases. See Technical Datasheet on Low Voltage Sensors with R Interface Option.

SYSTEMS CONSIDERATIONS

The local override switch may be upstream or downstream of a PP20. However, if an SP20 Auxiliary Relay or a PP20 2P controller is being used, the switch(es) should be downstream on the load side of the relay. If power is disconnected to the Power Pack all subsequent relays will open, turning off all of the loads. If wiring the local switches before the Power Pack and Slave Pack, use multiple PP20's, one for each circuit. This will allow for one circuit to remain powered, keeping the system operational when the other is turned off. When controlling a dimming circuit, PP20 must be wired before dimmer, or SP20 may be wired after dimmer.

INTERFACING WITH ELECTRONIC CONTROL SYSTEMS

The Relay Switching System is designed to switch Alternating Currents Only. The relay will not switch DC signal inputs to EMS or Lighting Control Systems. Use model MP20, or "R" for signal relay located in Low Voltage Sensor Heads.

CATALOG INFORMATION

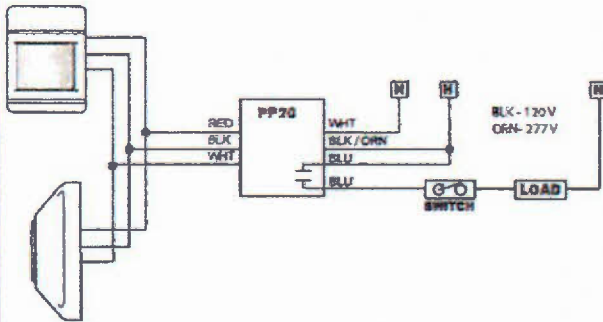
MODEL#	DESCRIPTION	OUTPUT VOLTAGE	OUTPUT CURRENT
PP20	Power Pack with 20 Amp Relay	15 to 24 VDC	70 to 110 mA
PP20 2P	Power Pack with two 20 Amp Relays	15 to 24 VDC	35 to 70 mA
SP20	Slave Pack with 20 Amp Relay	N/A	40 mA (consumption)

*Add suffix LT for Low Temp/Hi Humidity

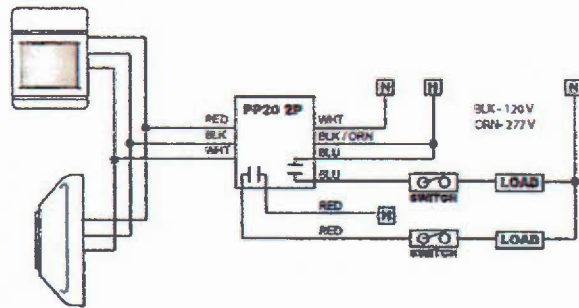
TYPICAL WIRING DIAGRAMS - DO NOT WIRE HOT

NOTE: The Power Pack must be connected to a single phase Hot and Neutral System. For 120 VAC, connect the Black wire to Hot, White wire to Neutral, and Cap off the Orange wire. For 240-277 VAC, connect the Orange to Hot, White to Neutral, and Cap off the Black wire. *Never connect both the Black and Orange wires!* Low Voltage wire can be 18 to 22 AWG; shielding is not necessary. Class II terminal Block on PP20 2P only accepts one conductor per terminal of 18 AWG stranded or smaller.

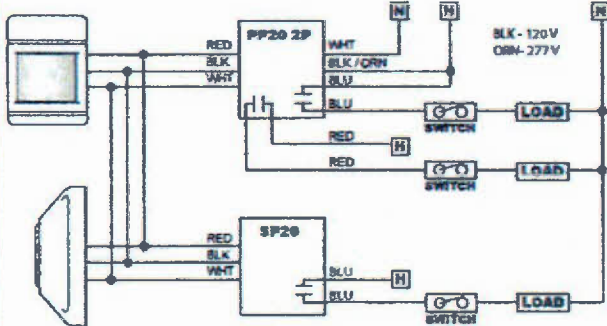
Multiple Sensors Controlling One Circuit



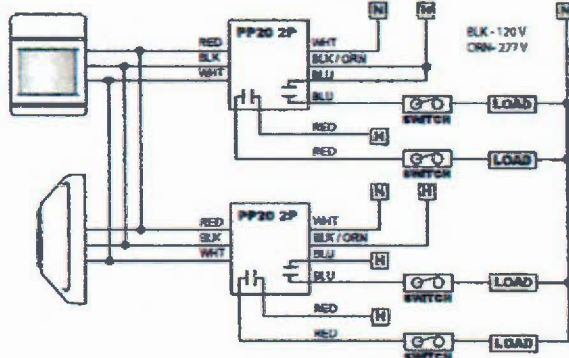
Multiple Sensors Controlling Two Circuits



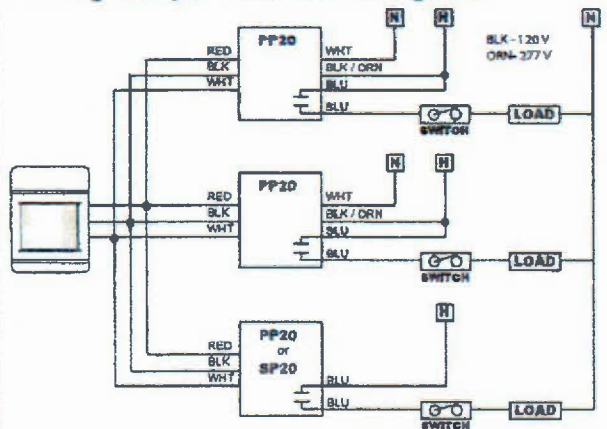
Multiple Sensors Controlling Three Circuits



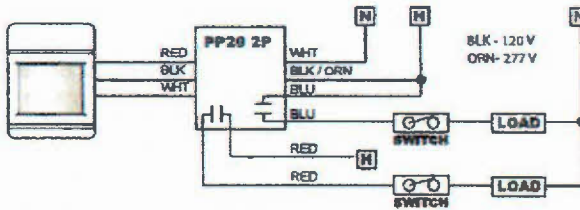
Multiple Sensors Controlling Four Circuits



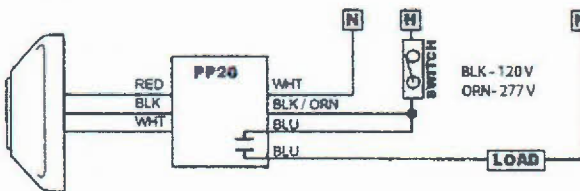
Wiring Multiple Power Packs Together



One Sensor Controlling Two Circuits



One Sensor Controlling One Circuit



WARRANTY: Sensor Switch, Inc. warrants these products to be free of defects in manufacture and workmanship for a period of sixty months. Sensor Switch, Inc., upon prompt notice of such defect will, at its option, provide a Returned Material Authorization number and repair or replace returned product. **LIMITATIONS AND EXCLUSIONS:** This Warranty is in full lieu of all other representation and expressed and implied warranties (including the implied warranties of merchantability and fitness for use) and under no circumstances shall Sensor Switch, Inc. be liable for any incidental or consequential property damages or losses.



SENSOR SWITCH, INC.
 900 Northrop Rd., Wallingford, CT 06492
 (203) 265-2842 info@sensorswitch.com
 www.sensorswitch.com

revised 02/04/2010
 copyright Sensor Switch, Inc. 2010

QT Series™ — Fans

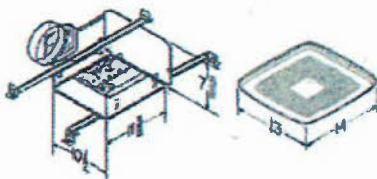
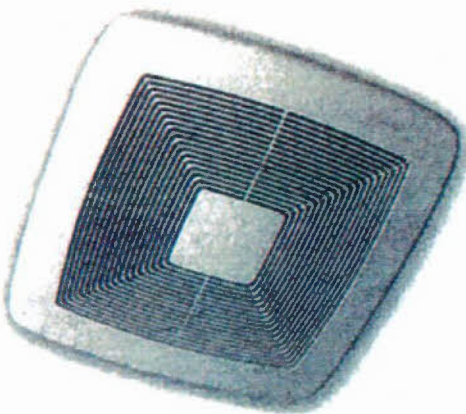
#12

Broan QT Series™ Bath Fans. A bath fan needn't call attention to itself, especially when you don't overpower the design of your bath or powder room. More important, it shouldn't call attention to itself when it's working. So we developed the QT Series™ to provide very relaxing ventilation. With an energy efficient option, it simply does its job quietly, in every sense of the word.

QTXE, QTRE and QTR Fan Features

- Very quiet operation <0.3 to 1.5 sones
- 50 CFM to 150 CFM
- QTXE features 6" ducting for superior performance
- QTRE and QTR models feature 4" ducting
- QTRE and QTXE models are ENERGY STAR® qualified
- HVI Certified
- QTXE, QTRE and Housing Project Packs include hanger bar system for fast, flexible installation for all types of construction
- Motor engineered for continuous operation
- UL Listed for use over bathtub or shower when connected to a GFCI protected branch circuit
- Fits 2" x 8" ceiling construction

QTXE Models

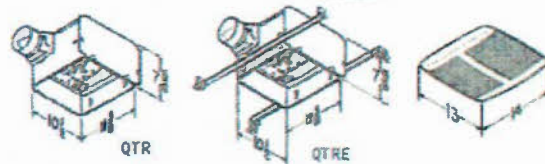


Fan Model	CFM	Sones	ENERGY STAR®	Bath Sq. Ft.	Ducting
QTXE050	50	<0.3	Yes	45	6"▲
QTXE080	80	0.3	Yes	75	6"▲
QTXE110	110	0.7	Yes	100	6"▲
QTXE150	150	1.4	Yes	140	6"▲

ENERGY STAR® fans use 65% less energy, on average, than standard models and may qualify for local utility rebates.
 ▲ See page 54 for 6" ducting (DT6W) product specifications.
 + Only available in project packs.



QTRE & QTR Models



QTRE080C2S QT Select Air™ ventilation fan

Many rooms in the home can benefit from extra ventilation — not just the bathroom. Kitchens, laundry rooms, media rooms and closets are just a few examples. Now you can provide these rooms with extremely quiet ventilation at a more continuous lower level or in a boost mode whenever needed.

- 80 CFM at 0.8 Sones in boost mode
- 40 CFM at <0.3 Sones in normal mode
- Energy Star® qualified
- 4" ducting
- HVI certified

Fan Model	CFM	Sones	ENERGY STAR®	Bath Sq. Ft.	Ducting
QTRE080C2S	80/40	0.8/<0.3	Yes	75	4"
QTRE080	80	0.8	Yes	75	4"
QTRE110	110	1.3	Yes	100	4"
QTR050+	50	0.4	—	45	4"
QTR080	80	1.0	—	75	4"
QTR110	110	1.5	—	100	4"

ENERGY STAR® fans use 65% less energy, on average, than standard models and may qualify for local utility rebates.
 ▲ See page 54 for 6" ducting (DT6W) product specifications.
 + Only available in project packs.



#13a

1. 34290 REV B

APPLICATION:

PRODUCT NAME:
**PRE-RINSE SPRING 4" C/C DECK M...
 WITH WALL BRACKET & ADD-ON FAUCET**

JOB NAME:

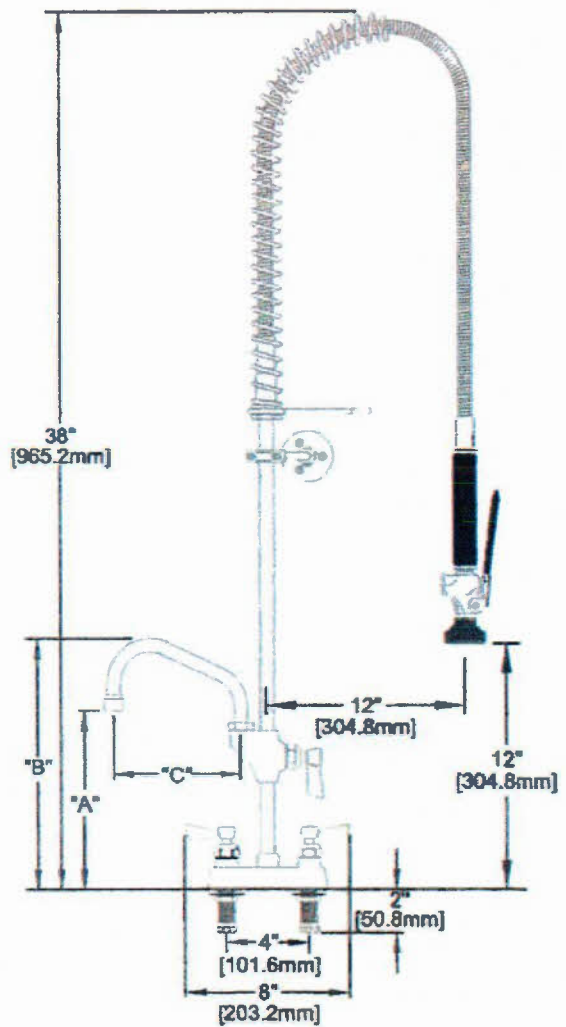
SPECIAL CONFIGURATION
 CHECK BASE MODEL AND OPTIONS

QUANTITY:

ITEM NO.

MODEL:

- 34290 WITH 6" SWING SPOUT
- 34304 WITH 8" SWING SPOUT
- 34312 WITH 10" SWING SPOUT
- 34320 WITH 12" SWING SPOUT
- 34339 WITH 14" SWING SPOUT
- 34347 WITH 16" SWING SPOUT



OPTIONS OR MODIFICATIONS:

- SUPPLY LINES (24" OR 36") CIRCLE LENGTH
- ADD-ON FAUCET (6", 8", 10", 12", 14", 16") CIRCLE
- IN-LINE DUAL CHECK VALVE
- BRUSH
- VANDAL RESISTANT KIT
- HANDLES (CROSS OR WRIST) CIRCLE STYLE
- OTHER _____

FEATURES:

- MAIN CONTROL VALVE**
- * 4" C/C DECK
 - * INTERNAL SPRING LOADED CHECK VALVES
 - * SWIVELLING SEAT DISKS
 - * HOT SIDE STEM - RIGHT HAND CHECK
 - * COLD SIDE STEM - LEFT HAND CHECK
 - * STAINLESS STEEL SEATS, SEAT SCREWS AND HANDLE SCREWS
- ADD-ON CONTROL VALVE**
- * STEM - RIGHT HAND SWIVEL
 - * HOT INDEX BUTTON
 - * SWIVELLING SEAT DISKS
 - * STAINLESS STEEL SEATS, SEAT SCREWS AND HANDLE SCREWS.
- HOSE**
- * 36" LENGTH
 - * STAINLESS STEEL END FITTINGS
 - * STAINLESS STEEL EXTERNAL JACKET
 - * 3-PLY FIBER REINFORCED INTERNAL RUBBER HOSE
 - * REPAIRABLE IN FIELD WITH SIMPLE TOOLS

- ULTRA SPRAY VALVE**
- * LOWEST ENERGY USER - 1.15 GPM @ 60 PSI
 - * CLEANS FASTER - TEST PROVEN
 - * ENGINEERED TO LAST - NO 'O' RINGS TO LEAK
 - * INTERCHANGEABLE - FITS ALL BRANDS

WALL BRACKET

- * ADJUSTS FROM 2" TO 12"

SYSTEM LIMITS

- * TEMP: 40°F MIN. TO 140°F MAX. STATIC
- * PRESSURE 200 PSI MAX. STATIC
- * SHIPPING WEIGHT: 14.0 LBS

ROUGH-IN	MODEL	DIM "A"	DIM "B"	DIM "C"
	34290	8-3/4" [221.3mm]	12-3/8" [313.3mm]	6" [152.4mm]
	34304	9" [227.6mm]	12-7/8" [326.0mm]	8" [203.2mm]
	34312	9-5/8" [243.5mm]	13-3/8" [340.3mm]	10" [254.0mm]
	34320	10-1/4" [259.4mm]	13-7/8" [351.4mm]	12" [304.8mm]
	34339	10-5/8" [275.0mm]	14-3/4" [373.7mm]	14" [355.6mm]
	34347	11-1/2" [292.1mm]	15-3/8" [389.5mm]	16" [408.4mm]

EPA 2005 Compliant



ANSI/A112.18.1M

FISHER
 FISHER MANUFACTURING COMPANY
 TOLL FREE: 800-421-6162 - FAX: 800-832-8238
 information@fisher-mfg.com - www.fisher-mfg.com



T&S BRASS AND BRONZE WORKS, INC.
 2 SADDLEBACK COVE / P.O. BOX 1088 / TRAVELERS REST, SC 29690
 PHONE 800-476-4103 FAX 864-834-3518



Model No.

B-0178

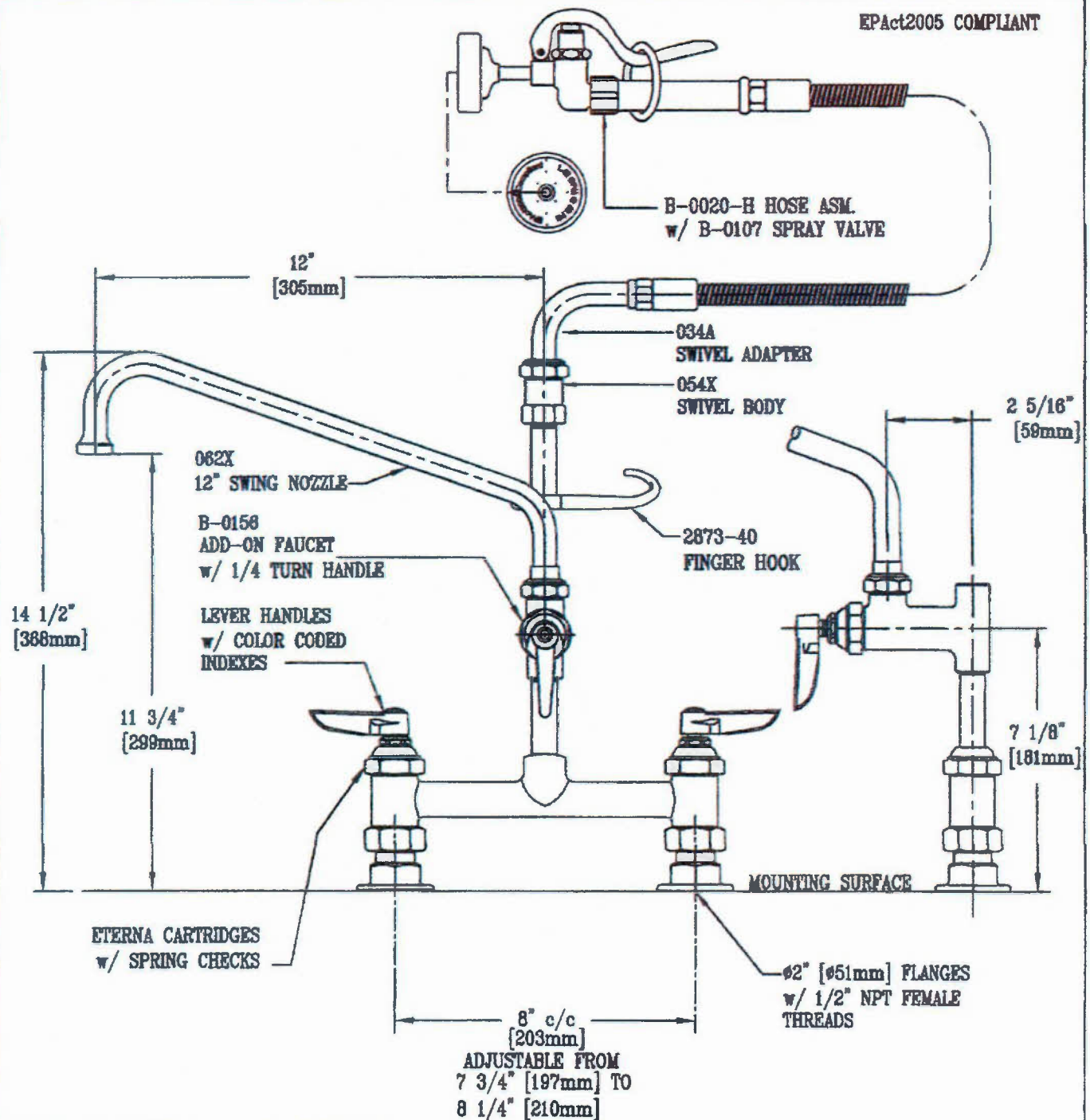
#13b

Job Name:

Architect/Engineer Approval:

Notes:

EPAct2005 COMPLIANT



Product Description:
 PRE-RINSE UNIT w/ DECK MOUNT FAUCET, LEVER HANDLES,
 12" SWING NOZZLE w/ B-PT STREAM REGULATOR OUTLET &
 B-0020-H FLEX HOSE w/ B-0107 SPRAY VALVE

Drawn:	Checked	Scale:
KJG	ARH	1 : 4
Approved	Date:	
JHB	01/22/09	



#14

SINK F

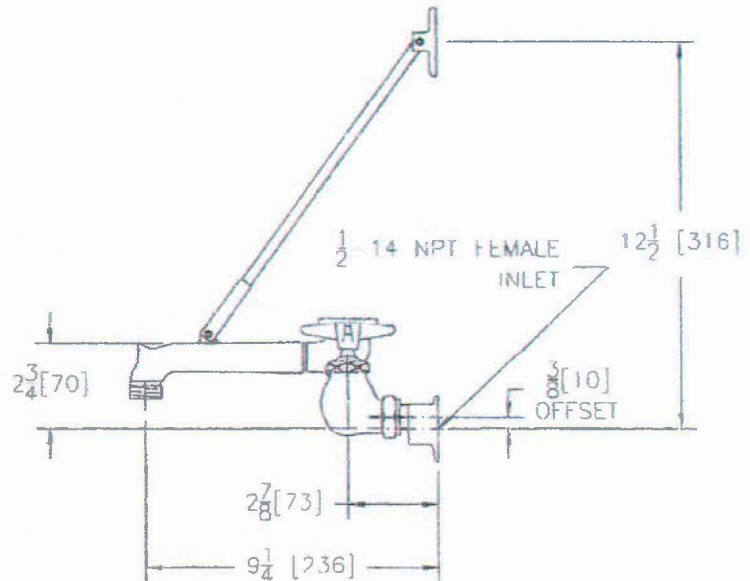
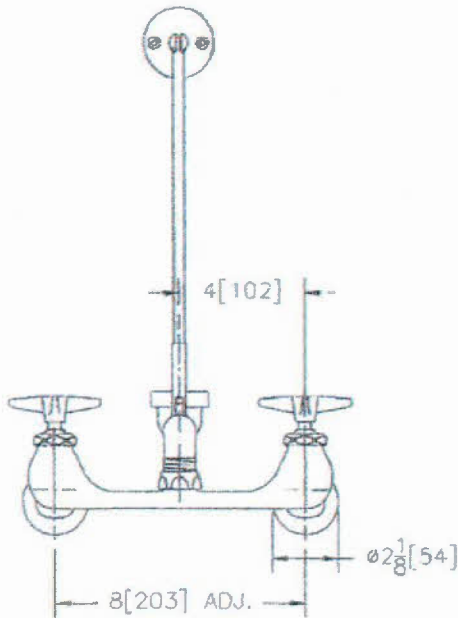
Z842M1-RC

TAG _____



Engineering Specifications: Zurn AquaSpec® Z842M1-RC

Rough chrome-plated cast brass 8" [203mm] sink faucet with quarter turn ceramic disc cartridges, 3/8" [10mm] short swivel inlets providing adjustable centers from 7-1/4" [184mm] to 8-3/4" [222mm] and a 6" [146mm] centerline cast brass vacuum breaker spout with 3/4" hose threaded outlet, pail hook and wall brace. Unit is furnished with 2-1/2" [64mm] vandal-resistant color-coded metal lever handles.



Note: All dimensions are for reference only. Do not use for pre-plumbing

OPTIONAL ACCESSORIES

Suffix Description

- ___HCT Hot/Cold Text Indexes
- ___LSI 2-1/2" [64mm] Long Swivel Inlets with Integral Stops
- ___WHK Wall Hook
- ___5H 5' [152cm] Vinyl Hose

ZURN INDUSTRIES, INC. ♦ COMMERCIAL BRASS OPERATION ♦ 2640 SOUTH WORK STREET ♦ FALCONER NY 14733
Phone: 1-716-665-1132 ♦ Fax: 1-716-665-1135 ♦ World Wide Web: www.zurn.com
In Canada: ZURN INDUSTRIES LIMITED ♦ 3544 Nashua Drive ♦ Mississauga, Ontario L4V1L2 ♦ Phone: 905/405-8272 Fax: 905/405-1292

AquaSpec® is a registered trademark of Zurn Industries, Inc.
©2007 Zurn Industries, Inc.

Rev. C Date: 3/14/07 C.N. No. 105947
Dwg. No. 65807 Product No. Z842M1-RC



#15a

Triumph 2-Handle 4" Centerset High-Arc Bathroom Faucet

WISH IT OWN IT WHERE TO BUY

AVAILABLE WHILE SUPPLIES LAST

★★★★★

Write a review

READ REVIEWS

MODEL NUMBERS

7034F

VIEW FIXTURE & COMPONENT DETAILS

Victory can be yours. This fluid and flared faucet with a tall crescent spout is a great choice for updating a casual bathroom. A pre-assembled Speed Connect® drain has one-third the parts and installs in one-third the time, making this a DIY project you can easily do yourself.

DISCOVER THIS PRODUCT'S FEATURES AND READ FULL DESCRIPTION

LEARN MORE ABOUT THIS PRODUCT

Full Product Description & Features

Downloads & Related Links

Fixtures & Components Details

Product Reviews

Ask An Expert

Repair Parts

Related Products

Image and Video Gallery



Available Colors & Finishes (Click to view product in color)



Images & Videos



TRIUMPH 2-HANDLE 4" CENTERSET HIGH-ARC BATHROOM FAUCET SHOWN IN POLISHED CHROME(002)

Like 108k

BACK TO TOP

About This Product

Victory can be yours. This fluid and flared faucet with a tall crescent spout is a great choice for updating a casual bathroom. A pre-assembled Speed Connect® drain has one-third the parts and installs in one-third the time, making this a DIY project you can easily do yourself.

Style and substance strike a perfect balance in the bathroom faucet collections from American Standard®. Our faucets are engineered to look beautiful and function flawlessly. Worry-free, drip-free and built to last, all of our bathroom faucets are covered by our Limited Lifetime Warranty on function and finish.

DOWNLOADS

- Spec Sheet
- Installation Instructions
- Repair Parts Diagram

PRODUCT SUPPORT

- Faucet Warranty
- Owner's Manual (French and English)
- Owner's Manual (Spanish and English)

TÉLÉCHARGEMENTS

- Instructions d'Installation
- Diagramme de pièces de réparation

KEY FEATURES & INNOVATIONS

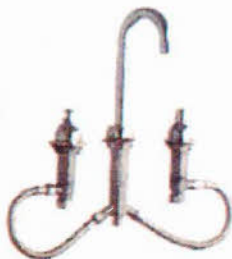
- ADA Compliant
- Speed Connect
- Water Efficient

RELATED LINKS

- Find Water Saving Rebates
- Learn About Water Efficiency
- Learn More About Lead Free
- Learn More About Speed Connect
- Learn More About WaterSense
- View All Water Efficient Products

#15b

heavy duty bathroom faucets



Elkay LK800GN04T6 8 Centerset Concealed Deck Mount Faucet

\$174 online

[Write a review](#) [Save to Shortlist](#) [Browse Faucets](#)

Elkay - Kitchen - Chrome

Quarter turn ceramic disc cartridge. Solid brass construction with chrome finish. Includes spout swing restriction pin. Complies with: ASME/ANSI A112.18.1, CSA B125-01, NSF/ANSI 61, ADA, UPC/CUPC, IAPMO Listed.

[Online stores](#) [Related items](#) [Reviews](#) [Details](#)

Online stores shipping to Potomac, MD

Free shipping Refurbished / used

Sellers	Seller Rating	Details Special Offers	Base Price	Total Price	Sponsored
Global Industrial	(3,122)	No tax	\$173.95 +\$14.16 shipping	\$188.11	Shop
National Builder Supply	(2,721)	Free shipping, No tax	\$176.89	\$176.89	Shop
eFaucets	(2,570)	Free shipping, No tax	\$176.80	\$176.80	Shop
FaucetDirect.com <small>Trusted Store</small>	(7,042)	Free shipping, No tax	\$204.00	\$204.00	Shop
ATG Stores <small>Trusted Store</small>	(1,934)	Free shipping 1 special offer	\$169.74 +\$10.18 tax	\$179.92	Shop
Home Perfect	(1,324)	Free shipping, No tax	\$163.20	\$163.20	Shop
PlumbersStock.com	(84)	No tax	\$156.32 +\$5.43 shipping	\$161.75	Shop
Build.com <small>Trusted Store</small>	(5,253)	Free shipping, No tax	\$204.00	\$204.00	Shop

1 - 8 of 8 < >

Other Faucets from Elkay



see what Delta can do

#16

[Repair Parts](#) [Smart Solutions](#) [Inspired Living](#) [Shopping Tools](#) [Support](#) [Commercial](#) [Company](#)

SUPPORT INFORMATION



Classic Monitor® 13 Series Shower - Complete Rough and Trim

View the Parts for this Product

[View Parts List](#) [View Parts Diagram](#) [Download/Print Parts Diagram](#)

Installation Instructions / Owner's Manual

[View Download/Print](#)

Technical Specifications

[View Download/Print](#)

★★★★★ [Write the first review](#)

[Product Q&A](#) 13 questions | 16 answers

[Read all Q&A](#) [Follow this product](#)

Own this product?

Registering it helps us provide the best service.

Want to save this product so you can quickly find it later?

View the Parts for this Product

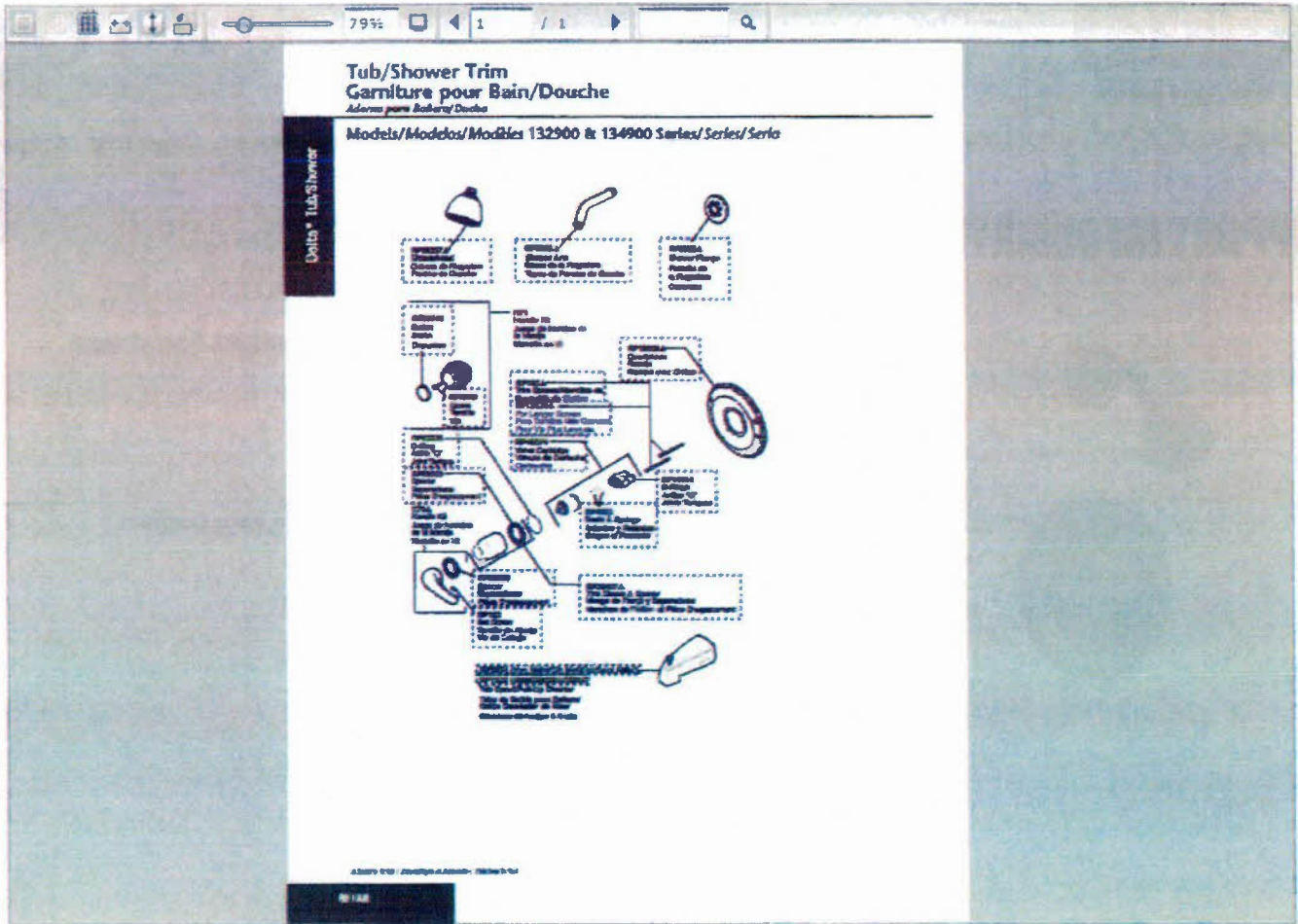
The diagram below identifies the parts and accessories for your product. If you would like to view more information about a specific repair part, type the repair part number into the repair part search to the right.

[Download](#)

Repair Part Search

Repair Part Number:

Please note that only our most common repair parts are available to view online.



Need help identifying the issue and finding related replacement parts?



#17a

Rondalyn Countertop Sink

[WISH IT](#) [OWN IT](#) [WHERE TO BUY](#)

MSRP: \$99 - \$141

★★★★★ 4.0 (1)

[Write a review](#)

[READ REVIEWS](#)

MODEL NUMBERS

0490.156, 0491.019, 0490.011

[VIEW FIXTURE & COMPONENT DETAILS](#)

Versatility all around. This classically designed, round countertop sink goes well with traditional or casual bathrooms. Made from high-gloss, stain-resistant Vitreous China. Available with a single hole, 4" or 8" center faucet holes, with or without a fourth hole for a liquid soap dispenser.

[DISCOVER THIS PRODUCT'S FEATURES AND READ FULL DESCRIPTION](#)

LEARN MORE ABOUT THIS PRODUCT

[Full Product Description & Features](#)

[Downloads & Related Links](#)

[Fixtures & Components Details](#)

[Product Reviews](#)

[Ask An Expert](#)

[Repair Parts](#)

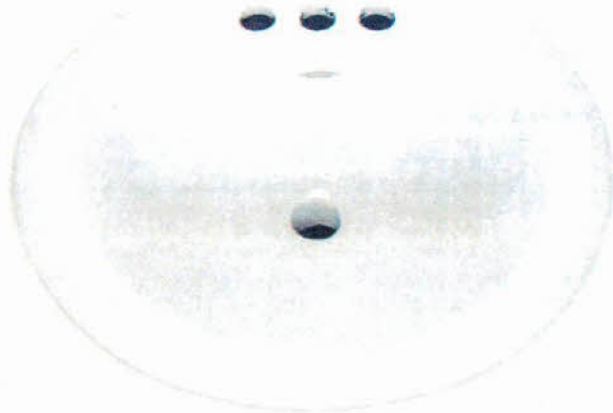
[Related Products](#)

Image and Video Gallery

Available Colors & Finishes (Click to view product in color)



Images & Videos



RONDALYN COUNTERTOP SINK SHOWN IN WHITE (020)

Like 108

[BACK TO TOP](#)

About This Product

Versatility all around. This classically designed, round countertop sink goes well with traditional or casual bathrooms. Made from high-gloss, stain-resistant Vitreous China. Available with a single hole, 4" or 8" center faucet holes, with or without a fourth hole for a liquid soap dispenser. Engineered to be both beautiful and durable, American Standard™ bathroom sinks gracefully face everyday use. Our bathroom sinks come in a variety of styles and installations to match any lifestyle.

- Self-rimming round countertop sink
- Tapered edges for style

DOWNLOADS
[Spec Sheet](#)
[Installation Instructions](#)

DOWNLOADS
CAD FILES
2D Symbols: 0490.011.DWG
2D Symbols: 0490.011.DXF
2D Symbols: 0490.156.DWG
2D Symbols: 0490.156.DXF
CAD files for Fixture: 417.L
Cut Out Template: 0490.011
Cut Out Template: 0490.156

KEY FEATURES & INNOVATIONS
[ADA Compliant](#)

RELATED LINKS
[How To Choose a Bathroom Sink](#)

#17b



Lucerne Wall Mounted Sink

[WISH IT](#) [OWN IT](#) [WHERE TO BUY](#)

MSRP: \$125 - \$193

★★★★★

[Write a review](#)

[READ REVIEWS](#)

MODEL NUMBERS

0356.028, 0356.015, 0355.027, 0355.012,
0356.041, 0356.421, 0355.056, 0355.034,
0356.037, 0356.115, 0356.137, 0355.041,
0356.915, 0356.921, 0356.939, 0356.928,
0355.927, 0356.941, 0356.966, 0355.912
[VIEW FIXTURE & COMPONENT DETAILS](#)

You'll find American Standard Commercial Sinks wherever durability, dependability and beauty are on call. In hospitals, prisons, schools, ballparks and hotels, from main street to industrial boulevard, American Standard stands proud.

[DISCOVER THIS PRODUCT'S FEATURES AND READ FULL DESCRIPTION](#)

LEARN MORE ABOUT THIS PRODUCT

- [Full Product Description & Features](#)
- [Downloads & Related Links](#)
- [Fixtures & Components Details](#)
- [Product Reviews](#)
- [Ask An Expert](#)
- [Repair Parts](#)
- [Related Products](#)

Image and Video Gallery



Available Colors & Finishes (Click to view product in color)



Images & Videos



LUCERNE WALL MOUNTED SINK SHOWN IN WHITE(020)

[Like](#) 108k

[BACK TO TOP](#)

About This Product

You'll find American Standard Commercial Sinks wherever durability, dependability and beauty are on call. In hospitals, prisons, schools, ballparks and hotels, from main street to industrial boulevard, American Standard stands proud.

- Wall-hung sink
- Front overflow
- D-shaped bowl

DOWNLOADS

[Spec Sheet](#)
[Installation Instructions](#)

DOWNLOADS

CAD FILES
2D Symbols: 0355.012.DWG
2D Symbols: 0355.012.DXF
2D Symbols: 0355.027.DWG
2D Symbols: 0355.027.DXF

KEY FEATURES & INNOVATIONS

ADA Compliant

Model
WETS-2002.1002 1.6/1.1 WES DF
Manual HET Dual Flush Flushometer and HET Dual Flush Water Closet

DESCRIPTION

Complete HET system with exposed manual Royal® dual flush Flushometer and HET vitreous china dual flush floor mount fixture.

Rush Cycle

Model WETS-2002.1002-1.6 / 1.1 WES
(Down 1.6 gpf/6.0 Lpf. Up 1.1 gpf/4.2 Lpf)
Code: 20021002



Meets the American Disabilities Guidelines and ANSI A117.1 requirements when installed according to these requirements.

NOTE:

- Plumbing System Requirements
- Minimum **Flowing** Pressure: 25 PSI
 - Minimum Flow Rate: 18 GPM
 - Maximum Static Pressure: 80 PSI

SPECIFICATIONS

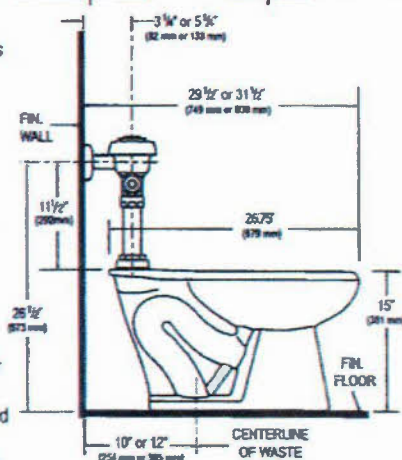
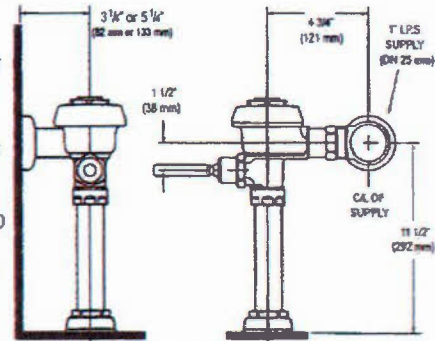
Quiet, exposed, diaphragm type, chrome plated dual flush HET Flushometer and vitreous china dual flush HET floor mount fixture with the following features:

Flushometer

- Lifting Handle UP initiates reduced flush (1.1 gpf/ 4.2 Lpf), eliminating liquid and paper waste, saving a ½-gallon of water
- Pushing Handle DOWN initiates full flush (1.6 gpf/ 6.0 Lpf), eliminating solid waste and paper
- Reduces water volume by up to 30% when activated UPWARDS
- Antimicrobial Coating on Handle protects against germs
- Distinctive Green ADA Compliant Metal Non-Hold-Open Handle with Triple Seal Handle Packing signifies Water Conserving Device
- PERMEX® Synthetic Rubber Diaphragm with Dual Filtered Fixed Bypass
- 1" I.P.S. Screwdriver Bak-Chek® Angle Stop
- High Back Pressure Vacuum Breaker Flush Connection with One-piece Bottom Hex Coupling Nut
- Sweat Solder Adapter w/Cover Tube and Cast Wall Flange with Set Screw
- High copper, low zinc brass castings for dezincification resistance
- Diaphragm, Handle Packing, Stop Seat and Vacuum Breaker molded from PERMEX® rubber compound for chloramine resistance
- Includes (2) adhesive backed Metal Wall Plates etched w/instructions
- Valve Body, Cover, Tailpiece and Control Stop shall be in conformance with ASTM Alloy Classification for Semi-Red Brass. Valve shall be in compliance to the applicable sections of ASSE 1037.

Fixture

- Vitreous china with Integral flushing rim
 - Floor mounted elongated bowl
 - 1 ½" I.P.S. top spud inlet
 - 2 ¼" trapway diameter
 - Siphon jet flush
 - Closet bolts and caps included
 - 100% factory flush tested
 - Toilet seat not included
- Recommended seats:
Bemis - 1955CT/1955SSCT & 2155CT/2155SSCT
Church - 295CT/295SSCT & 2155CT/2155SSCT
- Water closet shall be in compliance to the applicable sections of ASME A112.19.2/CSA B45.1
 - Compliant with Buy American Act when purchased as a combination



NOTE: All vitreous china dimensions shown in these drawings are nominal. Dimensions can vary within the tolerances established in the governing ASME A112.19.2/CSA B45.1 standard. Please take this into consideration when planning rough-in and plumbing layouts.



SLOAN

Sloan Valve Company
10500 Seymour Avenue
Franklin Park, IL 60131
Phone: 1-800-9-VALVE-9 (982-5839)
or 1-847-671-4300
Fax: 1-800-447-8329 or 1-847-671-4380
www.sloanvalve.com

Copyright © 2013 Sloan Valve Company
WETS-2002.1002 10-13

This space for Architect/Engineer approval

Job Name	Date
Model Specified	Quantity
Variations Specified	
Customer/Wholesaler	
Contractor	
Architect	

The information contained in this document is subject to change without notice.

ELONGATED TOILET BOWL K-4406

Features

- Vitreous china
- Elongated bowl
- With bedpan lugs (-L)
- 10" (254 mm) or 12" (305 mm) rough-in
- 1-1/2" top spud
- 2-1/4" (57 mm) passageway
- 11" (279 mm) x 9" (229 mm) water area
- 1.28 gpf (4.8 lpf) or 1.6 gpf (6.0 lpf) depending on flushometer specified
- 28-1/4" (718 mm) x 14-7/8" (378 mm) x 15" (381 mm)



Codes/Standards Applicable

Specified model meets or exceeds the following:

- ASME A112.19.2/CSA B45.1
- Energy Policy Act of 1992

Colors/Finishes

- 0: White
- CP: Polished Chrome
- Other: Refer to Price Book for additional colors/finishes

Specified Model

Model	Description	Colors/Finishes	
K-4406	Elongated toilet bowl (shown)	<input type="checkbox"/> 0	<input type="checkbox"/> Other _____
K-4406-L	Elongated toilet bowl - with bedpan lugs	<input type="checkbox"/> 0	<input type="checkbox"/> Other _____

Recommended Accessories

K-4654	Lustra™ open front seat with support arms and cover	<input type="checkbox"/> 0		
K-4654-A	Lustra open front seat with support arms and cover (with anti-microbial agent)	<input type="checkbox"/> 0		
K-4670-CA	Lustra open front seat (with anti-microbial agent)	<input type="checkbox"/> 0		
K-4731-C	Open front seat with check hinge	<input type="checkbox"/> 0		<input type="checkbox"/> Other _____
K-4731-SC	Open front seat with self-sustaining check hinge	<input type="checkbox"/> 0		<input type="checkbox"/> Other _____
K-10673	WAVE exposed toilet flushometer - 1.28 gpf (4.8 lpf)		<input type="checkbox"/> CP	
K-10956	Touchless DC toilet flushometer - 1.28 gpf (4.8 lpf)		<input type="checkbox"/> CP	
K-13517	Manual toilet flushometer - 1.28 gpf (4.8 lpf)		<input type="checkbox"/> CP	

For additional flushometer options, refer to the KOHLER price book.

Product Specification

The elongated toilet bowl shall be made of vitreous china. Bowl shall be 28-1/4" (718 mm) in length, 14-7/8" (378 mm) in width, and 15" (381 mm) in height. Bowl shall be 10" (254 mm) or 12" (305 mm) rough-in with 1-1/2" top spud. Bowl shall be 1.28 gpf (4.8 lpf) or 1.6 gpf (6.0 lpf) depending on flushometer specified. Bowl shall have 11" (279 mm) by 9" (229 mm) water area. Bowl shall have 2-1/4" (57 mm) passageway. Bowl shall have bedpan lugs (-L). Bowl shall be Kohler Model K-4406-_____ or K-4406-L-_____.

WELLWORTH®

Technical Information

Fixture:	
Configuration	top spud, elongated
Water per flush	1.28 gpf (4.8 lpf) or 1.6 gpf (6.0 lpf)*
Spud size	1-1/2" (38 mm)
Passageway	2-1/4" (57 mm)
Water area	11" (279 mm) x 9" (229 mm)
Water depth from rim	6" (152 mm)
Seat post hole centers	5-1/2" (140 mm)
Minimum static pressure required	35 psi (241.3 kPa)
Maximum static pressure	80 psi (551.6 kPa)
Minimum flowing pressure required	25 psi (172.4 kPa)
Required supply minimum	25 gal/min (94.6 l/min)
* Based upon use of a 1.28 gal (4.8 L) or 1.6 gal (6.0 L) flushometer.	

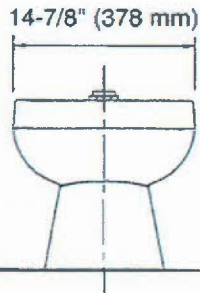
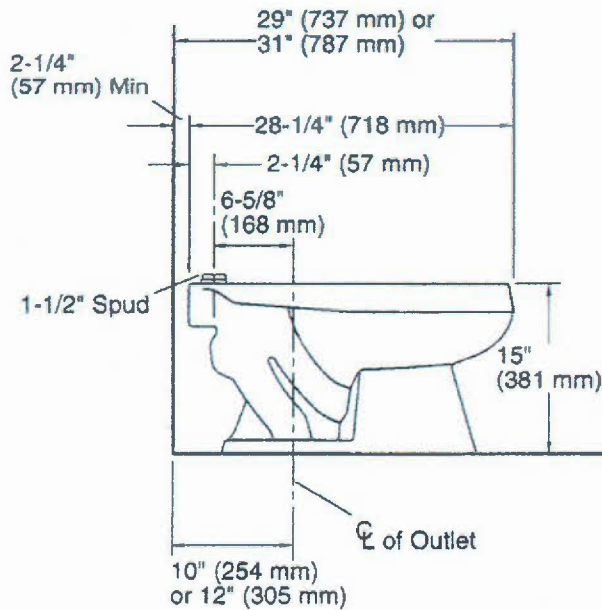
Included Components:

Spud	18357
Bolt cap accessory pack	1013092
Flushometer requirements: For 12" (305 mm) rough-in, sweat extension nipple is required. Refer to manufacturer and local codes.	

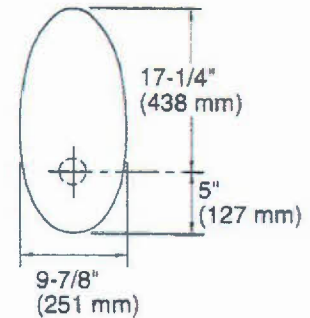
Installation Notes

Install this product according to the installation guide.

For back-to-back toilet installations: Use only a 45° double wye fitting.



Front of Bowl



Product Diagram



SEARCH

#18b

PRODUCTS GERBER GREEN SHOWCASES SUPPORT WHY GERBER CONTACT US PRESS ROOM

Resources For

- PLUMBERS
- WHOLESALEERS
- BUILDERS
- ARCHITECTS & ENGINEERS
- HOSPITALITY
- HOMEOWNER
- REMODELERS

TOILETS > ULTRA DUAL FLUSH



DF-21-312 Ultra Flush Pressure-Assist Dual-Flush Elongated 2 pc 1.1/1.6gpf
Pressure Assist Elongated/12" rough-in

List Price \$438.00

- HET High Efficiency Toilet
- 1.1/1.6 gpf Dual flush pressure assist
- Elongated rim
- Two-piece toilet
- bowl sku #0021372 - \$202.00
- tank sku #DF28380 - \$236.00
- 12" Rough-in
- WaterSense certified
- 3" Average trapway diameter
- Non corrosive solid brass tank-to-bowl bolts
- Double nut, multi-point tank-to-bowl mounting system for easy installation and tank stability
- Front mounted metal tank lever with brass arm
- Insulated tank
- Soft touch pneumatic activation
- Toilet seat not included
- Industry MaP Rating: 1,000g/1,250g

Also Available In
Note: Actual colors may vary

- White #DF-21-312 \$438.00
- Biscuit #DF-21-312-09 \$497.00
- Bone/Wheat #DF-21-312-25 \$497.00

[Send to Friend](#)
[Print This Page](#)

Height 28 1/4"
Width 20 1/4"
Depth 30"
Weight 90 lbs

Water Surface from Rim 4 1/2"
Trapway Min 2"
Water Surface 12 1/2" x 10 1/2"
Water Seal 2 1/2"

• Available in 14" rough in (#DF-21-314)



Search product and part

BY CATEGORY

Submit Query

Plumber / Showroom Locator

Plumber Showroom

ENTER ZIP CODE

5 miles

Sign up for our
Email Newsletter

Submit Email Address Below:

GO

Privacy by SafeSubscribe



[in](#) [f](#) [You](#) [Contact Us](#) [Jobs](#) [FAQ](#) [Press Room](#) [Privacy Statement](#) [Industry Links](#) [Gerber Wear](#) [Order Literature](#)

Copyright © 2014 Gerber Plumbing Fixtures

Powered by [PDSshop .Net Version 8 - Beta](#)



VITREOUS CHINA

TOILET
DF-21-312



ULTRA DUAL-FLUSH™ Pressure-Assist Toilet Elongated

12" Rough-in

Features:

- Low Consumption Dual-Flush (1.1/1.6 gpf) (4.0/6.0 Lpf)
- Elongated Bowl
- Pressurized Flushing Action
- Close Coupled Flushometer Tank
- Siphon Jet
- Front Tank Lever
- 2 Bolt Caps

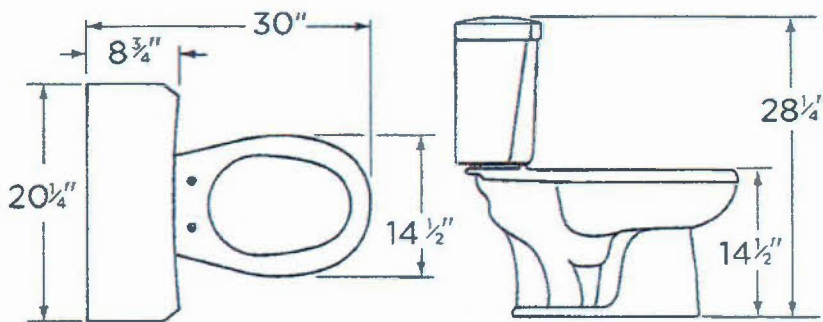
Dimensions:

Height.....	28 1/4"
Width.....	20 1/4"
Depth.....	30"
Rough-in.....	12"
Water Surface from Rim.....	4 1/2"
Trapway (ave)*.....	3 1/3"
Trapway (min).....	2"
Water Surface.....	12 1/2" x 10 1/2"
Water Seal.....	2 1/2"
Shipping Weight.....	90 lbs

*Average diameter of 26 equally spaced points throughout the trapway of 3 randomly selected bowls



Specifications: Bowl—#21-373 Elongated Bowl Tank—#DF-28-380
Seat not included



THIS FIXTURE QUALIFIES ACCORDING TO ASME TEST PROCEDURES AS A LOW CONSUMPTION WATER CLOSET WITH AN AVERAGE CONSUMPTION OF 1.6 gpf (6 Lpf) OR LESS.

HIGH EFFICIENCY TOILET
HET



www.gerberonline.com

Job Name	
Date	
Model Specified	
Quantity	
Customer	
Contractor	
Architect/engineer	

LAVATORIES

TOILETS

BIDETS / URINALS

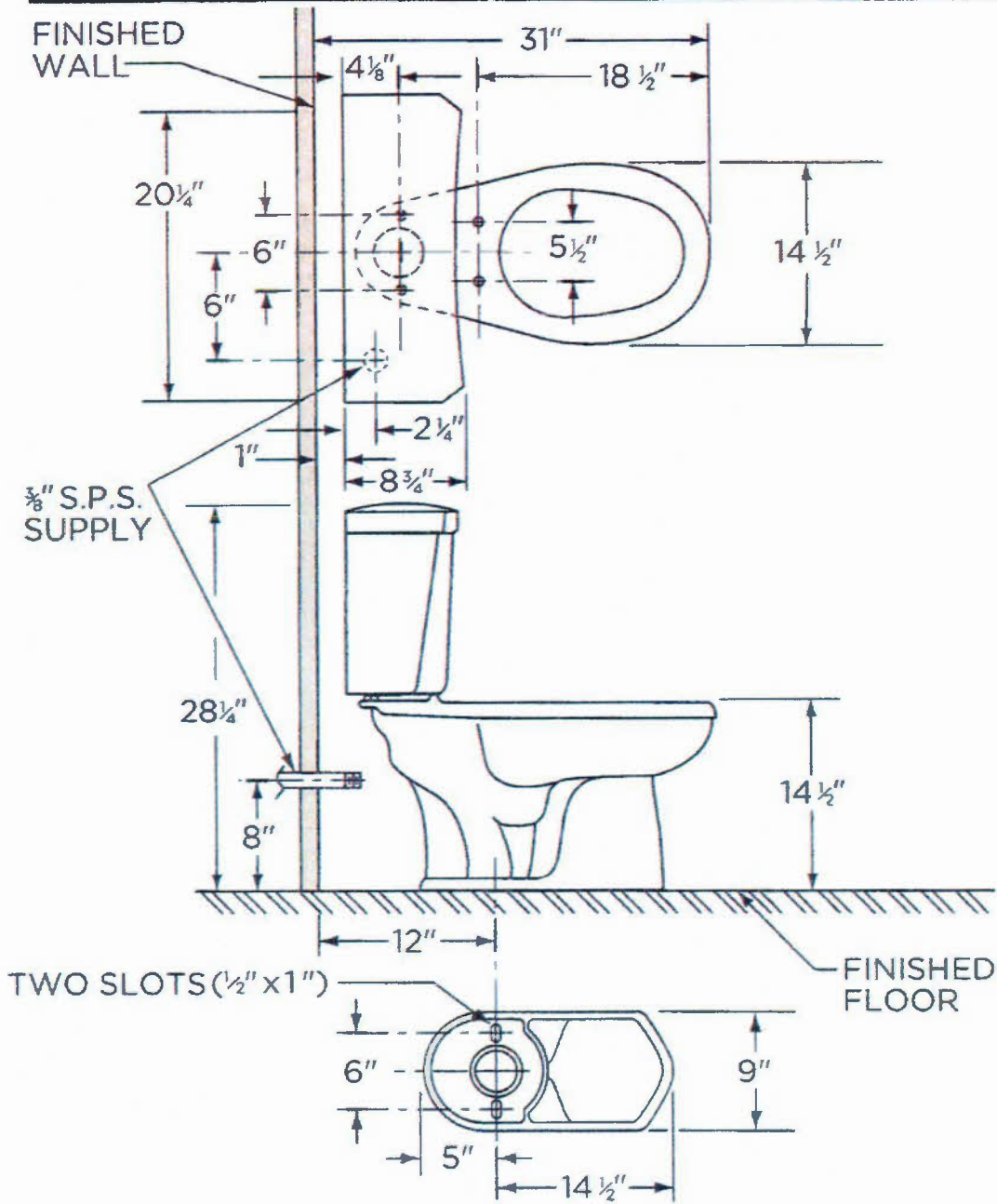
CAST IRON



1.1/1.6 gpf (4.0/6.0 Lpf) LOW
CONSUMPTION ULTRA DUAL-FLUSH™ TOILET

DF-21-312

Elongated, 12" Rough-in
(Bowl 21-372 with Tank DF-28-380)



NOTES:
All dimensions are in inches.
Illustrations may not be drawn to scale.

IMPORTANT:
Dimensions of fixtures are nominal and may vary within the range of tolerances established by ASME Standard A 112.19.2.
THIS FIXTURE QUALIFIES ACCORDING TO ASME TEST PROCEDURES AS A LOW CONSUMPTION WATER CLOSET WITH AN AVERAGE CONSUMPTION OF 1.6 gpf (6 Lpf) OR LESS.



#19

Maybrook 0.5 - 1.0 gpf Washout Top Spud Urinal

[WISH IT](#) [OWN IT](#) [WHERE TO BUY](#)

MSRP: \$218 - \$238

★★★★★

[Write a review](#)

[READ REVIEWS](#)

MODEL NUMBERS

6581.015

[VIEW FIXTURE & COMPONENT DETAILS](#)

This high-efficiency urinal uses just 0.5 gallons per flush, which is 50% less than a standard 1.0 GPF urinal. Features include a flushing rim and a washout flush action for effectiveness. This compact, low-consumption model is ideal for commercial applications where reducing water consumption is a priority.

[DISCOVER THIS PRODUCT'S FEATURES AND READ FULL DESCRIPTION](#)

LEARN MORE ABOUT THIS PRODUCT

[Full Product Description & Features](#)

[Downloads & Related Links](#)

[Fixtures & Components Details](#)

[Product Reviews](#)

[Ask An Expert](#)

[Repair Parts](#)

[Related Products](#)

Image and Video Gallery



Available Colors & Finishes (Click to view product in color)



White
(020)

MAYBROOK 0.5 - 1.0 GPF WASHOUT TOP SPUD URINAL
SHOWN IN WHITE (020)

Like 108k

[^](#) BACK TO TOP

About This Product

This high-efficiency urinal uses just 0.5 gallons per flush, which is 50% less than a standard 1.0 GPF urinal. Features include a flushing rim and a washout flush action for effectiveness. This compact, low-consumption model is ideal for commercial applications where reducing water consumption is a priority.

- High Efficiency, Low Consumption operates in the range of 0.5gpf to 1.0gpf (1.9Lpf to 3.8Lpf)
- Flushing rim
- Washout flush action
- Integral strainer

DOWNLOADS

[Spec Sheet](#)
[Repair Parts Diagram](#)

DOWNLOADS

CAD FILES
[2D Symbols: 6581.015.DWG](#)
[2D Symbols: 6581.015.DXF](#)

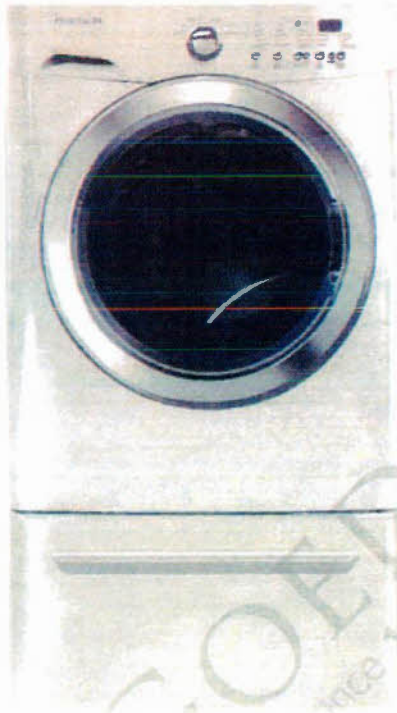
FRIGIDAIRE

#20

Front Load Washer

FFFW5100PW

7 Wash Cycles
3.9 Cu. Ft. D.O.E.



Optional SpaceWise® Pedestal Drawer Shown

Signature Features

Large Capacity

Finish more in less time with our 3.9 cu. ft. capacity — the washer can fit two baskets of laundry in a single load.

Tumble Action Cleaning System

By removing the agitator, you can count on the tumble action to wash gently and rinse completely, ensuring your clothes feel fresher and last longer.

Stainless Steel Drum

Smooth, durable interior is rust-proof and won't snag clothes.

Ready-Select® Controls

It's easy to get laundry started with just the touch of a button.

Product Dimensions

Height	36"
Width	27"
Depth	30-5/16"

More Easy To Use Features

Stain Clean Option
Fight against stains with our Stain Clean Option.

Delay Start
Begin your washing cycle at the time that works best with your schedule.

TimeWise® Technology
Wash time equals dry time — so you don't wait for clothes to dry.

End-Of-Cycle Signal

SilentDesign™
Designed for quiet operation.

Stay-Fresh™ Antimicrobial Seal

Auto Options

Automatic Water Level Control

Optional Pedestal Drawer

Cleaner, Fresher Laundry
Advanced rinse technology incorporates a fresh water rinse for whiter whites, brighter colors and clothing that feels fresher.

Vibration Control System
Advanced vibration control keeps even oversized loads balanced for smooth, quiet operation. Ideal for second floor installation.

Add-a-Garment

With just the touch of a button, easily add an extra piece to the washer once a cycle has started.

Costs Less to Operate

Front load efficiency reduces annual energy and water costs by nearly 70%.

ENERGY STAR®



Available in:



Classic White (W)

frigidaire.com

#21



where to buy

[home \(http://www.frigidaire.com/\)](http://www.frigidaire.com/) / [laundry & dryers \(http://www.frigidaire.com/washers-dryers/dryers/\)](http://www.frigidaire.com/washers-dryers/dryers/) / [ffqe5100pw](#)

[print \(/en-us/model/product/printview/FFQE5100PW\)](#)
[share](#)

Frigidaire 7.0 Cu.Ft Electric Dryer

27" W x 30-3/10" D x 36" H
FFQE5100PW

No retailers found in Potomac, MD

0 reviews

[Where to Buy \(/Where-To-Buy/?productCode=FFQE5100PW\)](#)

[Support \(/Owner-Center/Product-Support-Manuals/?productCode=FFQE5100PW\)](#)



Features

expand +

Specifications

expand +

Guides & Manuals

expand +

0 Reviews

expand +

* With SaharaDry™, there's no need to towel-dry before putting dishes away. Based on industry drying tests using SaharaDry™. March 2012.
* Quietest dishwasher, so it won't interrupt your time at home. In its class based on published manufacturer specifications for similar MSRP plastic interior dishwashers.
* There's room for over 180 items in our multi-compartment silverware basket. Among leading brands.

#21*

sears

Customer Service: 1-800-697-3277

Washer and Dryer Stacking Kit

0 Reviews Description Specifications

5



earn 300 points on this purchase

For 20854 change location

Get it as soon as 03/12/14

FREE Store Pickup

Sears Available in 8-10 days
Montgomery Mall
Bethesda, MD 20817

Quantity: 1

[Add to Cart](#)

Other offers available:

Get price matching help & more

[Chat with an expert](#)

[Have an expert call you](#)

[View Alaska/Hawaii Pricing](#)

Description

Item # 02610050000P Model # STACKIT4X

Stacking Kit 10050 (Stackit4x) works with select **Kenmore** models (41122, 81122, & 91122) and **all Frigidaire** branded front load washers and dryers.

- Save floor space by mounting the dryer to be mounted on top of the washer
- For select **Kenmore** models and **all Frigidaire** branded front load washers and dryers

#22



where to buy

home (<http://www.frigidaire.com/>) / kitchen appliances / refrigerators (<http://www.frigidaire.com/kitchen-appliances/refrigerators/>) / top freezer refrigerators (<http://www.frigidaire.com/kitchen-appliances/refrigerators/top-freezer-refrigerator/>) / ffht2126ps / [us/model/product/printview/FFHT2126PS](#) / share

Frigidaire 21 Cu. Ft. Top Freezer Refrigerator

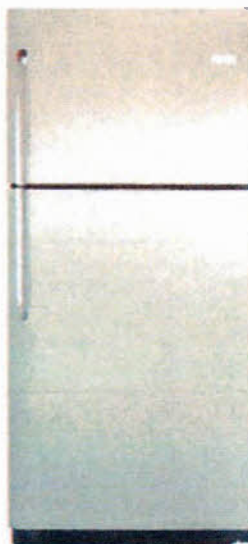
30" W x 32" D x 69-3/8" H
FFHT2126PS

Save up to \$250 from 4 rebates in Potomac, MD
[View Rebates](#)

★★★★ 2 reviews

[Where to Buy \(/Where-To-Buy/?productCode=FFHT2126PS\)](#)

[Support \(/Owner-Center/Product-Support-Manuals/?productCode=FFHT2126PS\)](#)



- <http://www.frigidaire.com/Kitchen-Appliances/Refrigerators/Top-Freezer-Refrigerator/FFHT2126PB/>
- <http://www.frigidaire.com/Kitchen-Appliances/Refrigerators/Top-Freezer-Refrigerator/FFHT2126PM/>
- <http://www.frigidaire.com/Kitchen-Appliances/Refrigerators/Top-Freezer-Refrigerator/FFHT2126PQ/>
- <http://www.frigidaire.com/Kitchen-Appliances/Refrigerators/Top-Freezer-Refrigerator/FFHT2126PS/>
- <http://www.frigidaire.com/Kitchen-Appliances/Refrigerators/Top-Freezer-Refrigerator/FFHT2126PW/>

- Features expand +
- Specifications expand +
- Guides & Manuals expand +
- 2 Reviews expand +

* With SaharaDry™, there's no need to towel-dry before putting dishes away. Based on industry drying tests using SaharaDry™. March 2012.
* Quietest dishwasher, so it won't interrupt your time at home. In its class based on published manufacturer specifications for similar MSRP plastic interior dishwashers.



#23

me (<http://www.frigidaire.com/>) / kitchen / microwaves (<http://www.frigidaire.com/kitchen-appliances/microwaves/>) / <http://www.frigidaire.com/kitchen-appliances/microwaves/counter-top-microwave/> / ffce2278ls
[us/modal/product/printview/FFCE2278LS](#)
/ [share](#)



[\(/Global/Products/FFCE22](#)

Frigidaire 2.2 Cu. Ft. Countertop Microwave

24" W x 21-3/8" D x 13-7/8" H
FFCE2278LS

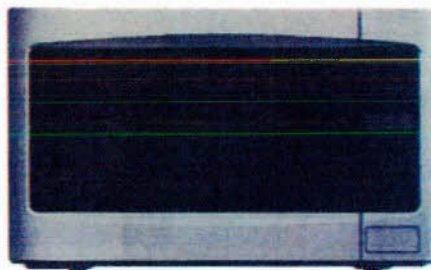
No rebates found in **Washington, DC**



5 reviews

[Where to Buy \(/Where-To-Buy/?productCode=FFCE2278LS\)](#)

[Support \(/Owner-Center/Product-Support-Manuals/?productCode=FFCE2278LS\)](#)



FEATURESEXPAND



10 COOKING POWER LEVELS

Offers versatility with different power levels so you have great cooking results from everything from frozen pizza to pot roast.



SENSOR ONE-TOUCH OPTIONS

Microwave automatically adjusts power levels and cooking times to cook a variety of items, effortlessly.

EASY-SET™ START

Quickly start cooking – one to six minutes – with just one touch.

CONTROL LOCK OPTION

#24

FREE SHIP TO STORE* OR HOME* ON OVER 400,000 ITEMS*. NEED IT NOW? BUY ONLINE AND



More saving.
More doing.

Your Store:
NE Washington DC #2583 [\(Change\)](#)

PRO Site Tool & Truck Rental Installation Services and Rep

Maytag JetClean Plus Front Control Dishwasher in Monochromatic Stainless Steel with Steam Cleaning

Model # MDB4709PAM Internet # 203249901 Store SO SKU # Z37246



★★★★☆ (366) [Write a Review](#) [Ask & Answer \(4\)](#)

...ent 10% off Appliance Offer.
...cludes discount. While
supplies last.
Price Valid 02/13/2014 - 03/05/2014

FREE Delivery & Haul Away
Order online or in-store

PRODUCT OVERVIEW

Clean dishes start with better parts. And with a motor that's tested to twice the average dishwasher life expectancy, this is an ENERGY STAR qualified dishwasher you can count on. The JetClean Plus wash system uses high pressure spray jets to remove tough food particles and a 4-blade stainless steel chopper to pulverize food. The Steam Sanitize option feature kills 99.999 percent of food soil bacteria, giving you confidence that your dishes are clean. Loading big dishes is simple because the tiered upper rack makes room in both racks for tall items. And not only does this hard-working dishwasher get dishes clean, the redesigned 2.5-in. flush console offers a sleek look.

California residents: see [Proposition 65 information](#).

- Touch pad controls offer seamless cycle selection with just a light press of the button
- Quiet Series sound package allows you to run the dishwasher without disrupting your home
- Oversize Capacity Plus tall tub allows you to wash more in each load and clean items like cookie sheets, pitchers and mixing bowls
- JetClean Plus wash system provides outstanding cleaning performance that powers away soil to make sure your dishes get their cleanest
- Steam Sanitize reduces 99.999% of harmful germs while helping reduce spots on glasses
- ENERGY STAR qualified to save energy, water and help reduce your utility bills
- Armor tub interior. This durable polymer interior reduces the appearance of stains that can develop in a dishwasher over time and keeps it looking clean longer
- Rinse-aid dispenser automatically adds a measured amount of rinse-aid to help reduce the potential for spots on your dishes
- Tiered upper rack makes room for tall items
- Lower rack easily accommodates tall and large items
- Industry's most powerful motor. Each cycle blasts away tough soils for clean dishes the first time, every time
- NSF Certified Sanitize option allows you to clean dishes with confidence. The wash cycle meets the criteria set forth by NSF International for eliminating 99.999% of food soil bacteria
- 4-blade stainless steel chopper pulverizes food, preventing particles from plugging the wash system and spray jets, providing optimal cleaning without the need to pre-rinse
- 2x Life Motor. This durable motor delivers years of dependable cleaning and has been tested to last twice as long as the average dishwasher life expectancy
- Designed, engineered and assembled in the USA. From Ohio to you, every Maytag dishwasher is designed, engineered and assembled in the U.S.A.
- New dishwasher connection kit is required for installation and will be offered during appliance checkout
- Dishwasher installation availability varies by location and can vary based on your home's plumbing. [Click Here](#) for details

SPECIFICATIONS

Amperage (amps)	15	Appliance Series	Maytag JetClean Plus
Appliance Type	Dishwasher	Assembled Depth (in.)	25.125 in
Assembled Height (in.)	34.5 in	Assembled Width (in.)	23.875 in
Certifications and Listings	1-UL Listed	Color/Finish	Monochromatic Stainless Steel
Color/Finish Family	Stainless	Control Type	Electronic
Custom Door Panel Ready	No	Cut-Out Front to Back Depth (in.)	24 in
Cut-Out Height (in.)	34 in	Cut-Out Left to Right Width (in.)	24 in
Decibel Rating	57 dBA	Delay Start Option	Yes

Q-210/270 Ice Cube Machines

Models

- | | | | | |
|-----------------------------------|-----------------------------------|-----------------------------------|-----------------------------------|-----------------------------------|
| <input type="checkbox"/> QD-0212A | <input type="checkbox"/> QY-0214A | <input type="checkbox"/> QD-0272A | <input type="checkbox"/> QY-0274A | <input type="checkbox"/> QR-0210A |
| <input type="checkbox"/> QD-0213W | <input type="checkbox"/> QY-0215W | <input type="checkbox"/> QD-0273W | <input type="checkbox"/> QY-0275W | <input type="checkbox"/> QR-0270A |



Q-210

- Up to 220 lbs. (100 kgs) daily ice production
- Only 26" (66.04 cm) wide, 26.50" (67.31 cm) deep, and 38.50" (97.79 cm) high on 6" (15.24 cm) legs
- 80 lb. (36.6 kg) ice storage capacity



Q-270

- Up to 290 lbs. (132 kgs) daily ice production
- Only 30" (76.2 cm) wide, 28.16" (71.52 cm) deep, and 38.50" (97.79 cm) high on 6" (15.24 cm) legs
- 100 lb. (45.45 kg) ice storage capacity

Features

- **New Super-Sized Cube** - Perfect for Premium Beverages and Specialty Bars
- **Updated Aesthetics** - Clean, crisp coordinated bin interior
- **Convenient Access to Ice** - Ergonomic angled bin door providing visibility and easy access to ice without bending over
- **Enhanced Function** - EZ slide door elevates the user experience and improves product reliability
- **Improved Sanitation** - AlphaSan® added to key internal components to extend time between cleanings
- **Simplified Installation** - New flat right angle plug for easier installation in tight spaces
- **Manitowoc proven vertical evaporator** using proprietary technology - made in Manitowoc, WI.
- **Bin door slides up and out of the way** for maximum access
- **Stainless steel exterior**
- **Patented cleaning and sanitizing technology**
- **R-404A CFC-free refrigerant**

Ice Machine Electric

115/60/1. (208-230/60/1 and 230/50/1 available.) 115/60/1 ice machines are factory pre-wired with a 6' (180 cm) power cord and NEMA 5-15P-plug configuration. 208-230/60/1 ice machines are factory pre-wired with a 6' (180 cm) power cord only, no plug is supplied.

Total Amps:

Q-210: 115/60/1: Air-cooled: 6.5 amps / Water-cooled: 6.1 amps
208-230/60/1: Air-cooled: 3.6 amps / Water-cooled: 3.1 amps

Q-270: 115/60/1: Air-cooled: 10.7 amps. / Water-cooled: 9.9 amps.
208-230/60/1: Air-cooled: 5.2 amps / Water-cooled: 4.7 amps

Maximum fuse size:

Air and Water-cooled: 15 amps

HACR-type circuit breakers can be used in place of fuses.

Ice Shape



Half Dice
3/8" x 1 1/8" x 7/8"
(.95 x 2.86 x 2.22 cm)



Dice
7/8" x 7/8" x 7/8"
(2.22 x 2.22 x 2.22 cm)



Regular
1 1/8" x 1 1/8" x 7/8"
(2.86 x 2.86 x 2.22 cm)



Specifications

BTU Per Hour:

Q-210: 2,400 (average)
3,400 (peak)

Q-270: 3,800 (average)
6,000 (peak)

Compressor:
Nominal rating: 1/3 HP

Cupra-Nickel Condenser:
(Water-cooled models)
Adds protection from
corrosive water elements.

Operating Limits:

• Ambient Temperature Range:
40° to 110°F (4.4° to 43.3°C)

• Water Temperature Range:
45° to 90°F (4.4° to 32.2°C)

• Water Pressure Ice Maker
Water In:
Min. 20 psi (137.9 kPa)
Max. 80 psi (551.1 kPa)

• Condenser Inlet Water In:
(Water-cooled only)
Min. 20 psi (137.9 kPa)
Max. 150 psi (1,034.2 kPa)





404-472-0398
 Fax 404-472-0399 or [eMail Us](mailto:info@restaurant-services.com)
 International Sales of Commercial Restaurant Equipment, Supplies, and Furniture

Financing

Standard Stocked Stainless Work Tables & Custom Stainless Steel Work Tables

Stock of Stainless Steel Work Tables w/ Galvanized Legs & Under Shelving

- 2' x 24" Stainless Table w/ Galv. Legs Under Shelving \$150
- 3' x 24" Stainless Table w/ Galv. Legs Under Shelving \$160
- 4' x 24" Stainless Steel Table w/ Galvanized Legs Under Shelving \$170
- 5' x 24" Stainless Steel Table w/ Galvanized Legs Under Shelving \$185
- 6' x 24" Stainless Steel Table w/ Galvanized Legs Under Shelving \$210
- 8' x 24" Stainless Steel Table w/ Galvanized Legs Under Shelving \$275



We Can Fabricate Custom Stainless Tables to Any Size [Request a Quote](#)
 Call us at 404-472-0398 or [eMail Us](mailto:info@restaurant-services.com)

30" Wide Stainless Steel Kitchen Work Tables

- 18" x 30" Stainless Steel Table w/ Galvanized Legs Under Shelving \$130
- 2' x 30" Stainless Steel Table w/ Galvanized Legs Under Shelving \$150
- 30" x 30" Stainless Steel Table w/ Galvanized Legs Under Shelving \$155
- 3' x 30" Stainless Steel Table w/ Galvanized Legs & Under Shelving \$160
- 4' x 30" Stainless Steel Table w/ Galvanized Legs & Under Shelving \$165
- 5' x 30" Stainless Steel Table w/ Galvanized Legs & Under Shelving \$185
- 6' x 30" Stainless Steel Table w/ Galvanized Legs & Under Shelving \$220
- 8' x 30" Stainless Steel Table w/ Galvanized Legs & Under Shelving \$285



[Request a Quote](#)
 Call us at 404-472-0398 or [eMail Us](mailto:info@restaurant-services.com) We also do Custom Stainless Fabrication

All Stainless Steel Kitchen Work Tables

These Sizes are Stock but we offer more options with a 2 week lead time

- 2' x 24" All Stainless Steel Work Table, Stainless Legs & Under Shelving \$281
- 2' x 24" All Stainless Steel Work Table, Stainless Legs & Under Shelving \$281
- 3' x 24" All Stainless Steel Work Table, Stainless Legs & Under Shelving \$293
- 4' x 24" All Stainless Steel Work Table, Stainless Legs & Under Shelving \$316
- 5' x 24" All Stainless Steel Commercial Work Bench Table S/S Legs & Under Shelf \$360
- 6' x 24" All Stainless Steel Work Table, Stainless Legs & Under Shelving \$385
- 8' x 24" Stainless Table Top, Stainless Legs, & Stainless Undershelf Kitchen Table \$622



30" Wide Stainless Steel Kitchen Work Tables

- 18" x 30" Stainless Work Table with Stainless Steel Legs & Stainless Undershelf \$290
- 2' x 30" Stainless Work Table with Stainless Steel Legs & Stainless Undershelf \$340
- 3' x 30" Stainless Work Table with Stainless Steel Legs & Stainless Undershelf \$392
- 4' x 30" All Stainless Steel Work Table, Stainless Legs & Under Shelving \$340
- 5' x 30" Stainless Work Table with Stainless Steel Legs & Stainless Undershelf \$431
- 6' x 30" All Stainless Steel Work Table, Stainless Legs & Under Shelving \$448

Name:

Email:

[Join]

Enter your eMail to receive our bi-weekly specials

not a friend yet?



Seasonal Specials

Home

Stainless Kitchen Tables

Stainless Steel Countertops

Butchers Block Tables

Stainless Folding Tables

Veterinary Tables

Aprons

Bar Equipment

Bar Sinks

Bar Supplies

Bases

Beer Equipment

Beverage Equipment

Blenders

Booths

Carts

Casters

Catering Equipment

Chairs

Cocktail Equipment

Coffee Equipment

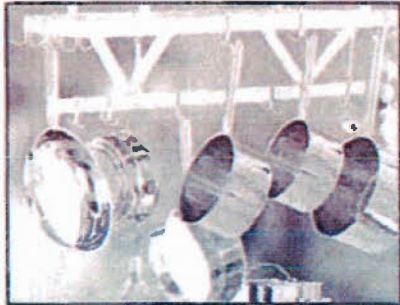
STAINLESS STEEL POT RA

Item #: _____ Qty #: _____

Model #: _____

Project #: _____

Ceiling Mounted Pot Racks



FEATURES:

36" stainless steel chain hangers
Includes 18 plated double pot hooks.

MATERIAL:

2" x 1/4" stainless steel bar.
All welded construction and blended to a satin finish.

Length	Model #	Wt
36"	SN-KPR1901	23 lbs.
48"	SN-KPR1902	26 lbs.
60"	SN-KPR1903	29 lbs.
72"	SN-KPR1904	32 lbs.

Wall Mounted Single Bar Pot Rack



FEATURES:

Secured to wall by means of bolts through end return (Hardware not included)
Includes 6 plated single sided pot hooks

MATERIAL:

2" x 1/4" stainless steel bar.
All welded construction and blended to a satin finish.

Length	A	Model #	Wt
41"	36"	SN-KPR1905	12 lbs.
53"	48"	SN-KPR1906	15 lbs.
65"	60"	SN-KPR1907	18 lbs.
77"	72"	SN-KPR1908	21 lbs.

Wall Mounted Pot Racks



FEATURES:

Secured to wall by means of bolts through welded brackets (Hardware not included).
Includes 18 plated single sided pot hooks.

MATERIAL:

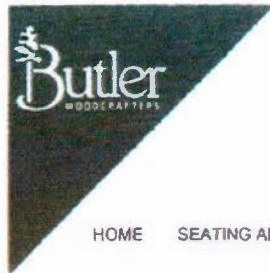
All welded construction and blended to a satin finish.

Length	Model #	Wt
36"	SN-KPR1909	14 lbs.
48"	SN-KPR1910	16 lbs.
60"	SN-KPR1911	18 lbs.
72"	SN-KPR1912	21 lbs.

Stainless Craft at

::potracks.com

powered by ::kitchensource.com



[Milan](#)

[Mason Beds](#)

Fiero Beds

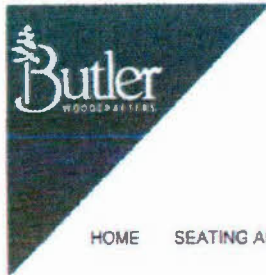
[Ask a question about this product](#)



[View Full-Size Image](#)



Features and Benefits	Solid Wood Construction
<ul style="list-style-type: none"> • Solid wood construction allows the beds to withstand the effects of constant use and makes it durable and long-lasting • Three different finishes available • The Fiero Beds provide additional storage without using any additional floor space • Wood Bed Platforms and Wedgelock Spring Base Options available • Beds are secured with 5 1/2-inch steel lag bolts. 	<p>We manufacture the highest quality solid wood furniture using a variety of hard yellow and radiata pine designed to best suit each product application. The woods we use come from renewable resources. All wood is select, contract furniture grade free of splits, checks and any other defects that might affect structural integrity, and kiln-dried to the proper moisture content. The majority of our pieces employ a two and three ply panel construction providing maximum durability and endurance.</p>



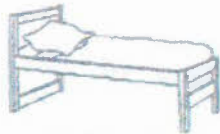
About Butler Download Catalogs New Products Contact Us Request Printed Catalogs search

HOME SEATING AREAS BEDROOM AREAS DINING/STUDY AREAS FABRICS/FINISHES QUICKSHIP CLEARANCE SALE

Home Bedroom Areas Bedroom Fiero Bed Bedroom Fiero Bed w/o Storage

Milan

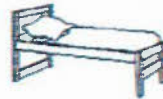
Mason Beds



View Full-Size Image

Fiero Bed w/o Storage

[Ask a question about this product](#)



Fiero Captains Bed without storage units

Item No.: 6072
Dimensions: 80 x 42 x 38
Weight: 240 lbs.

Fiero Captains Bed without storage units XL

Item No.: 6073
Dimensions: 85 x 42 x 38
Weight: 246 lbs.

*Mattresses, spring and bed platforms sold separately

<p>Fiero Bed w/Storage</p> <p>1 <input type="checkbox"/></p> <p>Wood Finish: None <input type="button" value="v"/></p> <p>Length: Regular <input type="button" value="v"/></p> <p>Add to Quote</p>	<p>Fiero Bed w/o Storage</p> <p>1 <input type="checkbox"/></p> <p>Wood Finish: Honey <input type="button" value="v"/></p> <p>Length: Regular <input type="button" value="v"/></p> <p>Add to Quote</p>	<p>Fiero Storage Unit</p> <p>1 <input type="checkbox"/></p> <p>Wood Finish: Honey <input type="button" value="v"/></p> <p>Add to Quote</p>
--	---	--

Recently Viewed Products

- [Fiero Beds](#) (Category: [Bedroom](#))
- [Fiero Beds](#) (Category: [Bedroom](#))

Last Updated: Monday, 04 March 2013 08:22

Dual Firm Innerspring Mattresses

#28b

Dimensions

Twin XL Mattress - 80" L x 38" D x 7 1/4" H

Description

This unit shall consist of dual face sleep surface supported by coil springs that is insulated with padding and enclosed in a treated breathable cover.

Material

The innerspring coils and link springs shall be steel.

Components

The Bonnell shall be 308-13-6. The coils shall be fabricated from 13 gauge wire.

The coils shall be joined together with tie wires that shall be retained with clips that shall be machine crimped.

Each surface of the coil unit shall be fitted with 1.8 pound density foam.

One side shall be firm.

One side shall be extra firm.

Ticking shall be moisture resistant nylon woven to resist tearing and cracking.

Seams shall be inverted lock-stitch eliminating any tape edges and spaces for bed bugs to hide. This construction also prevents and fluids from penetrating the mattress interior construction.

The mattress shall contain Integrity Fire Block to pass Federal Standard 16CFR part 1633, California technical Bulletin 129.

The coil spring mattress shall have a five year non-prorated warranty.

Soap, water and mild cleaners are recommended as a method of cleaning the ticking surface of the mattress.

Mattresses shall be wrapped and sealed in a plastic bag for shipping.

Butler Woodcrafters Product Specifications For more information call 877 852-0784

#29



PENCO PRODUCTS, INC. • 2024 Cressman Road, P.O. Box 158, Skippack, PA 19474-0158
800-562-1000 • 610-866-0500 • Voice Mail: 800-441-5352 • FAX: 610-866-7581

Gear Lockers

Penco Heavy Duty All-Welded Gear Lockers

- Locker body and door frame color: 722 Patriot Red
- Locker door color: 949 Jet Black

- Single tier, 18" wide X 21" deep X 76" high
- 4" High welded legs
- Coat rod with coat hooks
- Helmet shelf
- 14 Gauge diamond perforated door with continuous hinge and stainless steel recessed handle
- 16 Gauge body with diamond perforated sides
- Number plate
- Name card holder
- 2mil Power coat plus pain finish

EMS Personnel Lockers

35a

Penco Heavy Duty All-Welded Gear Locker

- Locker color: 052 Reflex Blue
- Double tier, 18" wide X 21" deep X 76" height
- Coat rod and coat hooks in each tier
- Master Lock Built-In Combination Locks, Master keyed with Control Chart

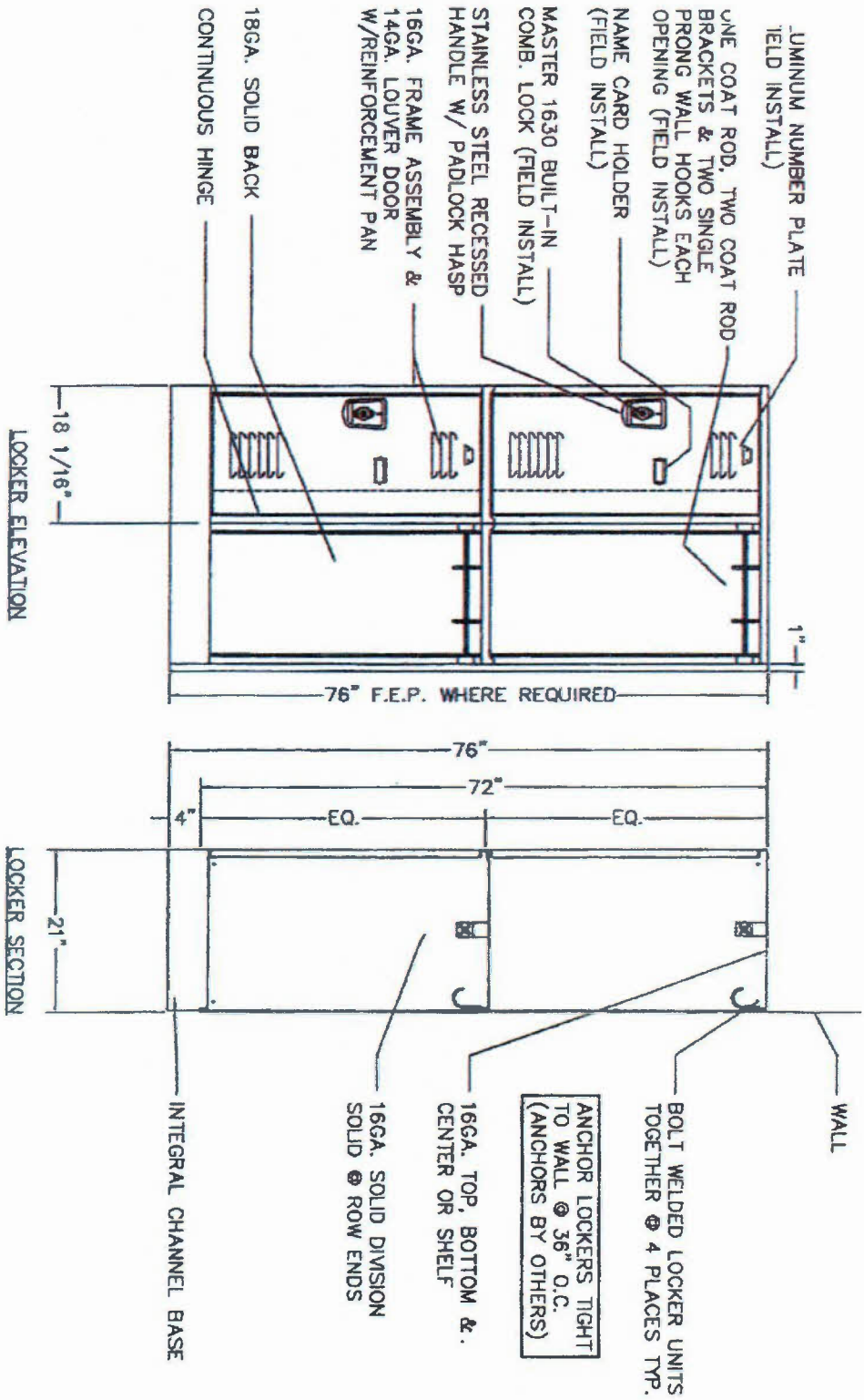


www.pencoproducts.com

Storage and Work Area Planning Specialists

Locker Spec.doc

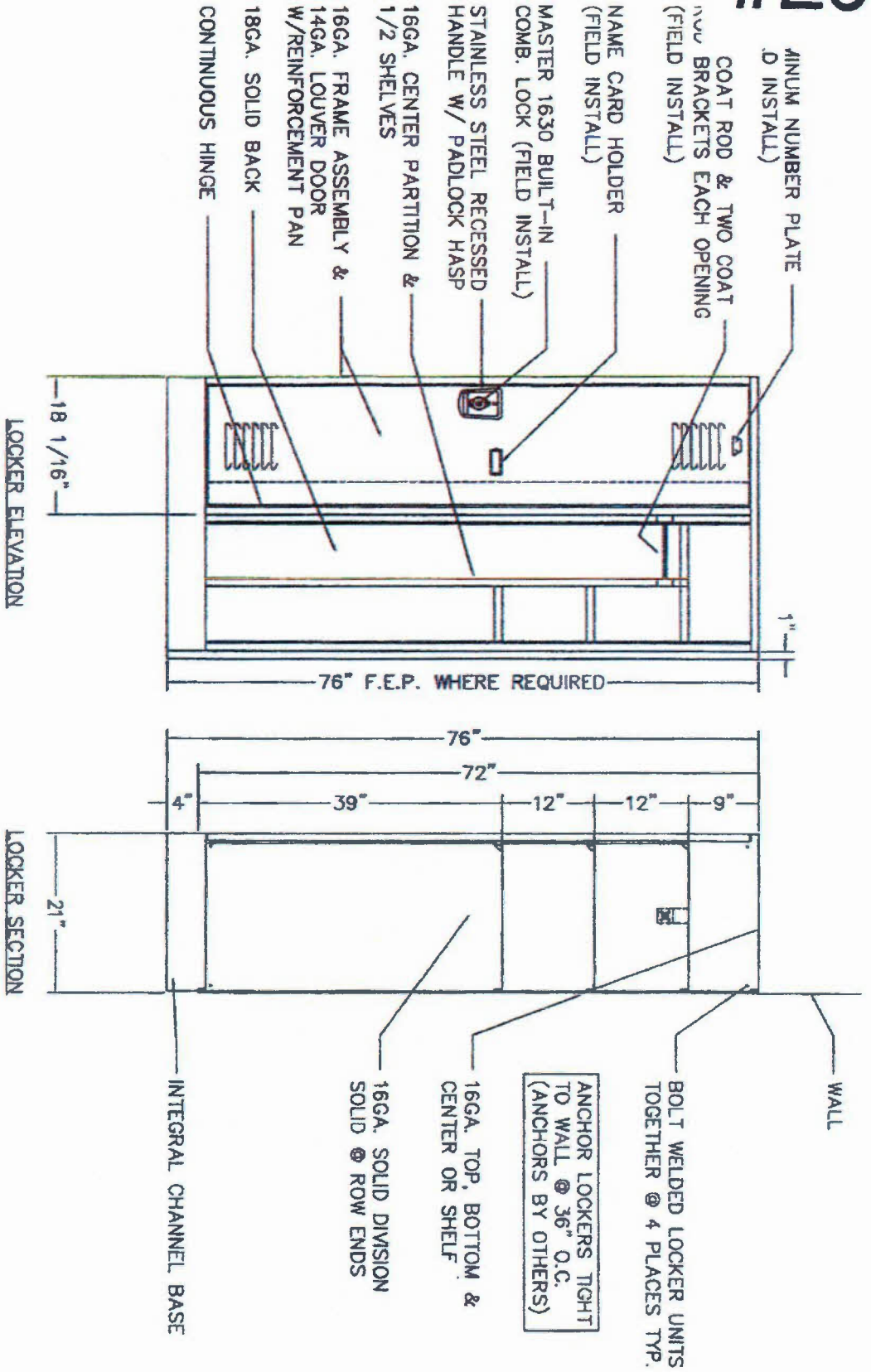
#29a



TYPE-E 18"x21"x36"/72" DOUBLE TIER, ALL-WELDED LOCKER

EMS Personnel Locker Drawing (color not specified)

#29b

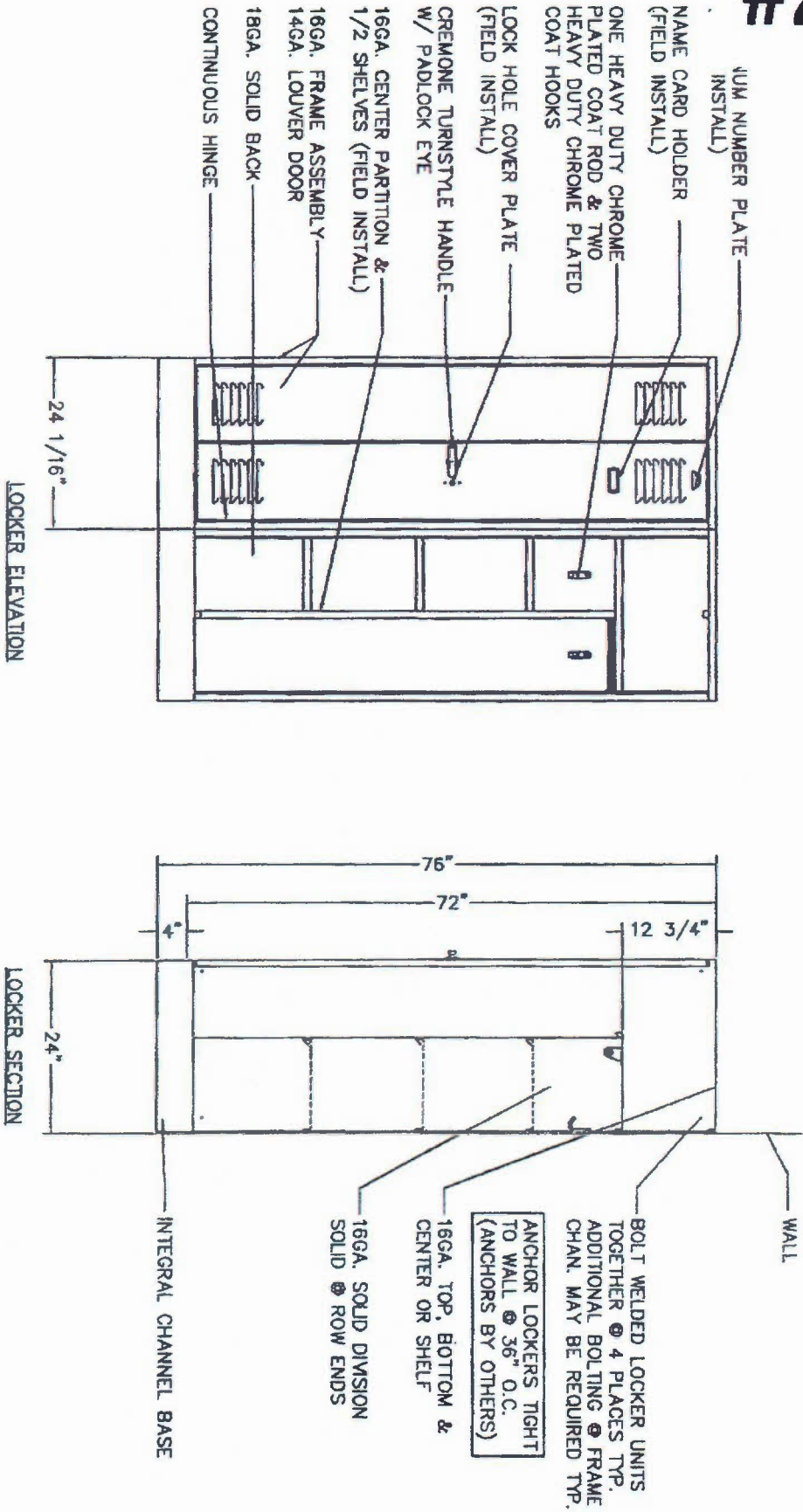


TYPE-B 18" x 21" x 72" SINGLE TIER, ALL-WELDED LOCKER

Men or Women Personnel Locker Drawing (color not specified)

32c

#29c



TYPE-D 24" X 24" X 76" ALL-WELDED PATRIOT GEAR LOCKER

Officers Personnel Locker Drawing (color not specified)

MINI-BLINDS

#30



The quality of our Deluxe Mini-Blinds becomes obvious the moment they're installed. First, they're made from high-quality aluminum magnesium composite that's spring tempered for added durability. They feature 8mil* slat thickness and all have a high-quality baked enamel finish, guaranteed not to blister, corrode or peel. Add the room-darkening feature to eliminate the visible route holes and increase slat overlap by up to 20%. The room-darkening Deluxe Mini-Blind significantly reduces outside sunlight, resulting in a beautiful uniform appearance. *Room-darkening Mini-Blinds will not completely darken a room, but will block more light than a typical Mini-Blind.*

20

*As defined by industry standards.

1" Lightlines® and Décor® Product Specifications

MODERN PRECIOUS METALS™ ALUMINUM BLINDS

APPLICATIONS

- Fits rectangular window openings.
- 1" Lightlines® blinds come standard with *de-Light™* feature for maximum light control and privacy.
- 1" Décor® blinds are traditional routed and available with optional LitoRise® cordless lift system (see page MPM-15)
- Available with wand tilt only

Size Standards

See Size Standards on page MPM-2

Mounting Requirements

Inside (IB) Mount	
Minimum required depth	7/8"
Minimum required depth, flush mount	1 3/8"
Outside (OB) Mount	
Minimum required mounting surface	5/8"
Rail-to-mount surface clearance	5/16"
Slat end-to-mount surface clearance	5/16"
Recommended width overlap per side	1 1/2"

Finished Dimensions

(All allowances are taken from ordered dimensions and may vary slightly.)

Inside (IB) Mount	
Headrail width	- 1/8"
Slat width	- 1/2"
Blind height	ordered height
Outside (OB) Mount	
Headrail width	+ 1/4"
Slat width	ordered width
Blind height	ordered height

Note: Measurements represent difference of total headrail or slat length (including end caps) from ordered width.

Installation Brackets

Blind Width	Number of Brackets Under 60 sq. ft.	Number of Brackets 60 sq. ft. and Over
Up to 60"	2	3
60 1/8" to 120"	3	4
Over 120"	4	5

Optional Features

No Charge — Specify on Order
Bracket shims
Cord length
End (EB) mount brackets*
Extension brackets
Hold-down brackets
Spacer blocks (1/2" or 3/8")
Wand length (12", 20", 30", 40", 50", 60", 70", 78" or 90")
Surcharge — Specify on Order
Cut-outs
LitoRise (Décor only)
Multi-color blinds
Multiple blinds on one headrail

*End (EB) mount brackets are not available on center tilt/no tilt blinds.

Control Options

Standard
Wand tilt left (L), pull cord right (R)
Optional
Wand tilt right (R), pull cord left (L)
Wand tilt right (R), pull cord right (R)
Wand tilt left (L), pull cord left (L)
Standard Wand Tilt Control Positions
8 1/8" to 10 1/2" wide (FINISHED), (no tilt) center tilt or no tilt
10 5/8" to 18 1/8" wide (FINISHED), must be split L/R or R/L
18 1/4" wide (FINISHED) or greater, controls can be L/R, R/L, L/L or R/R

Note: Unless otherwise specified, pull cord length will match wand length. Minimum pull cord and wand length is 12".

Wand Length Standards

Blind Height	Wand Length
8" to 26"	12"
26 1/8" to 36"	20"
36 1/8" to 48"	30"
48 1/8" to 60"	40"
60 1/8" to 75"	50"
75 1/8" to 90"	60"
90 1/8" to 108"	70"
105 1/8" to 117"	78"
117 1/8" to 126"	90"

Notes:

- Any wand length listed above may be chosen to override the supplied standard wand length.
- A non-standard length of 120" is also available

Stacking Heights (Approx.)

Blind Height	Stacks to
36"	3"
48"	3 1/2"
60"	4"
72"	4 1/2"
84"	5"
96"	5 1/2"
108"	6"
120"	6 1/2"
126"	6 3/4"

Ladder Standards

Finished Width	Number of Ladders
Up to 36"	2
36 1/8" to 60"	3
60 1/8" to 84"	4
84 1/8" to 108"	5
108 1/8" to 132"	6
132 1/8" to 144"	7

HOW TO PRICE

- **Important Note!** All base prices are predicated on Ordered Dimensions, not Finished Dimensions
- Base prices for 1" Lightlines blinds shown on charts A3 and A4 (see page MPM-5) and 1" Décor blinds shown on charts A5 and A6 (see page MPM-6).
- Add any optional surcharges to the base price (see pages MPM-5 and MPM-6).

ORDERING CHECKLIST

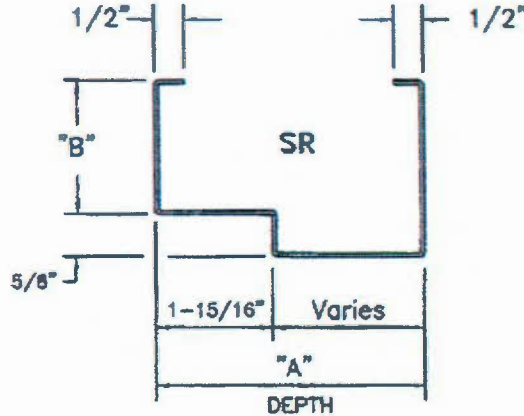
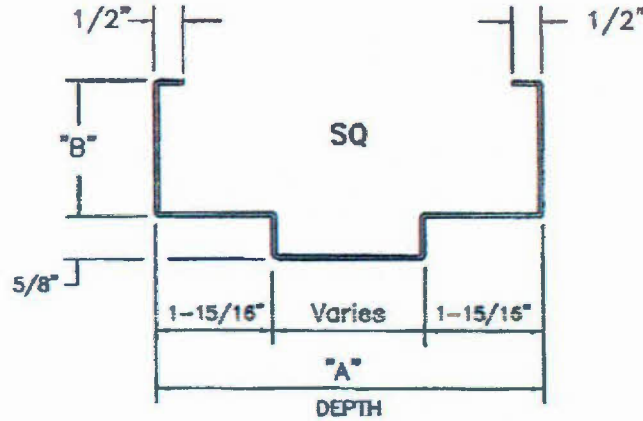
- ✓ Specify inside (IB) or outside (OB) mount
- ✓ Specify control positions.
- ✓ Specify any other optional features, if desired.

Note

- A Lightlines blind is a *de-Light* product designed to achieve optimal light and privacy control when the slats are rotated in the *downward* position. Light control and privacy are limited when the slats are rotated in the *upward* position.

SERIES SQ, 12 GAGE STEEL FRAMES

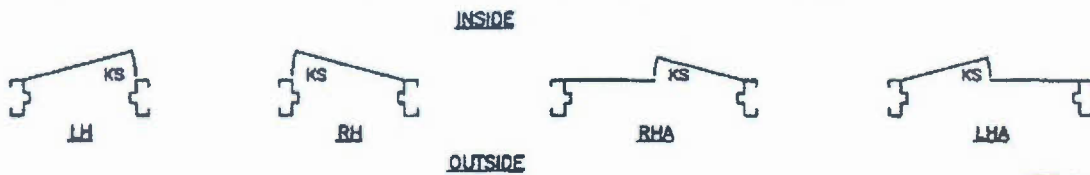
FOR 1-3/4" THICK DOORS
STANDARD WALL APPLICATION, HANDED



DEPTHS	Dim A
DOUBLE RABBET	5-1/4" THRU 11-7/8"
SINGLE RABBET	3-3/4" THRU 6"

FACES	Dim B
JAMB	1", 2" or 8"
HEAD	2" or 4"

8-18-08



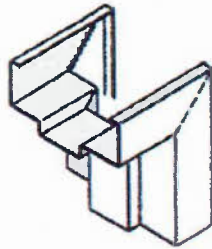
KS = KEY SIDE

TECH-DATA

SERIES SQ 12 GAGE STEEL FRAMES

WELDED CORNERS TYPE V5

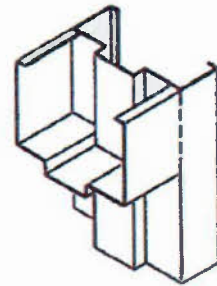
MITERED AND WELDED
CORNER --- HEAD
AND JAMB FACES
MUST BE EQUAL



①

WELDED CORNERS TYPE V6

BUTTED AND WELDED
CORNER --- HEAD AND
JAMB HAVE UNEQUAL
FACES. JAMB RUNS
THROUGH AND HEAD
IS COPED.



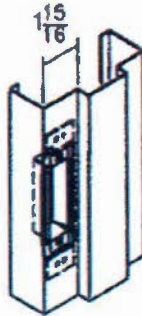
②

LOCK STRIKE PREPARATION



UNIVERSAL (4-7/8")
ANSI A115.1 & 2 TEMPLATE
12 GAGE STEEL REINFORCING

PREPARATIONS FOR VARIOUS
MECHANICAL AND ELECTRONIC
SECURITY DEVICES ARE ALSO
AVAILABLE. ASK FOR DETAILS.

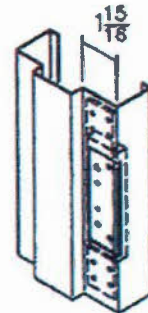


③

HINGE PREPARATION

5" x .190"
ANSI A156.7 TEMPLATE
7 GAGE STEEL
REINFORCING

BACKSET: 5/16"

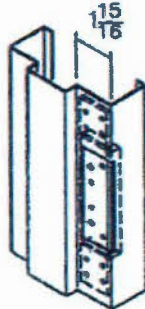


④

HINGE PREPARATION

4-1/2" x .180"
ANSI A156.7 TEMPLATE
7 GAGE STEEL
REINFORCING

BACKSET: 5/16"

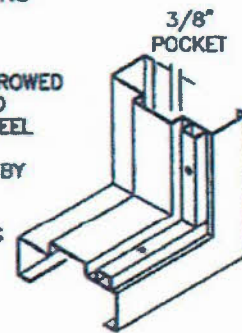


④

GLAZING PROVISIONS

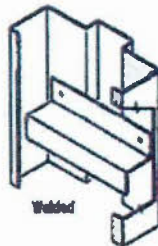
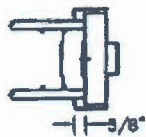
SIDELITES AND BORROWED
LITES ARE PROVIDED
WITH 5/8" HIGH STEEL
GLAZING BEAD.
BEAD IS ATTACHED BY
#10 FHSMS.

GLASS AND GLAZING
IS BY GLAZING
CONTRACTOR.



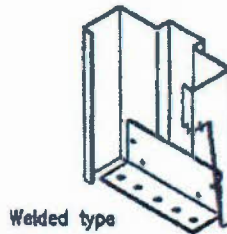
⑥

METAL STUD "Z" ANCHOR MSZ1



⑤

FIXED FLOOR ANCHOR SA



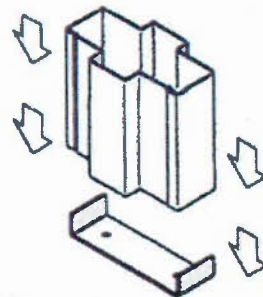
Welded type

ONE PIECE

⑤

SIDELITE FLOOR ANCHOR SLFA

IN-FIELD:
FASTEN
ANCHOR
TO FLOOR.
SLIP-FIT
FRAME
OVER
ANCHOR



⑦

ASSA ABLOY, the global leader
in door opening solutions.

CecoDoor

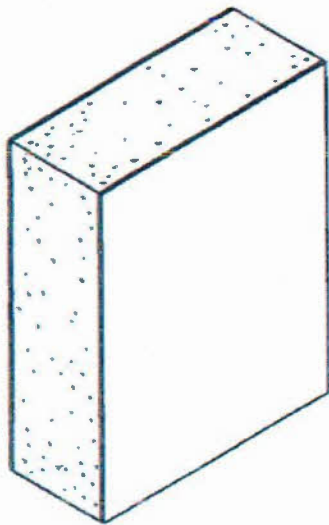
ASSA ABLOY

ASSA ABLOY

03A-1

1-3/4" IMPERIAL MAXIM (IU) 14 GAGE STEEL

POLYURETHANE FOAM CORE, SEAMLESS, CUSTOM TYPE
BEVELED LOCK EDGE, HANDED



*Designed to Take Extreme
People Punishment, Insulated ...*

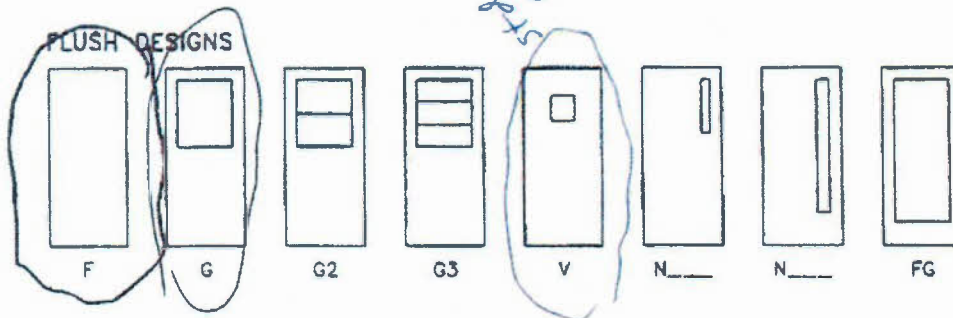
*Foamed-in-Place Polyurethane core
fills entire cavity. Core is chemically
bonded to all interior surfaces.
High impact resistance. Excellent
insulation Characteristics. Heavy
weight hinge preparations.*

Suggested Use:

- Interior or Exterior ...*
- * Primary Schools*
- * Middle Schools/High Schools*
- * College/Universities*
- * Vocational Training Centers*
- Rehabilitation Centers*
- Mental Health Care Facilities*

** Door has Full Lifetime Warranty when used in Schools*

08/07/08



TECH-DATA

IMPERIAL MAXIM DOORS

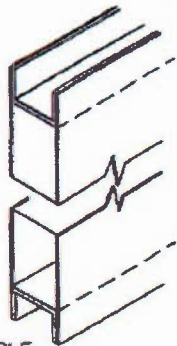
DSK-3

16 GAGE STEEL
END CHANNELS

WELDED
TO BOTH
FACE SHEETS

INVERTED
TOP AND
BOTTOM

OPTIONAL TOP AND
BOTTOM CAPS ARE AVAILABLE



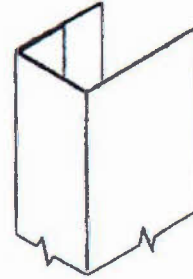
①

VERTICAL EDGES

②

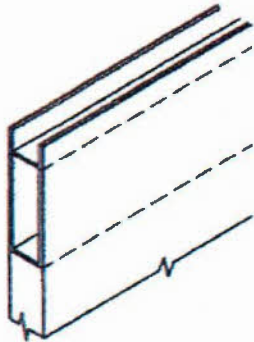
SEAMLESS
VERTICAL
EDGES

CONTINUOUS
SEAM WELDED
FULL HEIGHT
AND GROUND
SMOOTH



CLOSER
REINFORCEMENT
(OPTIONAL)

14 GAGE STEEL
CHANNEL 20" LONG

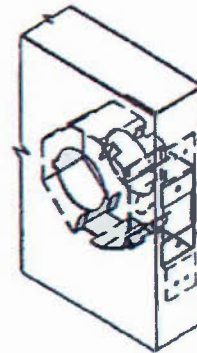


③

LOCK PREPARATION
GOV. 160/161
CYLINDRICAL TYPE

④

(LC1)
(ANSI A115.2)
2-3/4"
BACKSET



LOCK EDGE IS BEVELED
1/8" in 2" (1:16)

HINGE
PREPARATION

4-1/2 OR 5 IN.
HIGH HEAVY WEIGHT,
FULL MORTISE
HINGES

HINGE EDGE IS HANDED
AND NOT BEVELED.



ANSI A156.7
TEMPLATE

⑤

LOCK
PREPARATION
GOV. B6-4
MORTISE TYPE

⑥

(LM1) (ANSI A115.1)
2-3/4" BACKSET

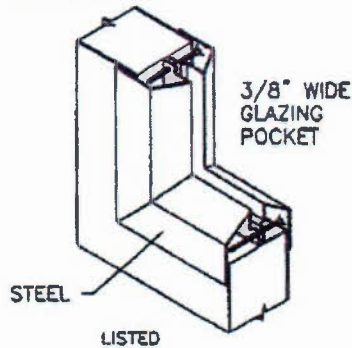
(LM0) SIMILAR TO DETAIL
LESS FACE CUTOUT

(LP0) SIMILAR TO DETAIL
LESS ALL CUTOUTS
AND REINFORCEMENT



GLAZING TRIM
SlimTrim
FOR ALL
FIRE DOORS

⑧



3/8" WIDE
GLAZING
POCKET

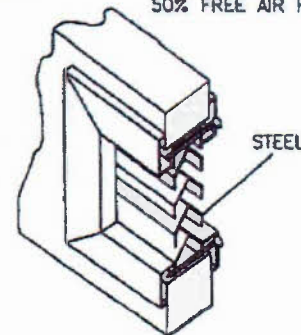
STEEL

LISTED

FIXED SLAT TYPE LOUVER
4634
FOR 1-3/4" THICK
DOORS

⑨

50% FREE AIR FLOW



STEEL

3/08/11

Ceco Door

ASSA ABLOY

LS-1 & 2 Series Family

LS-1

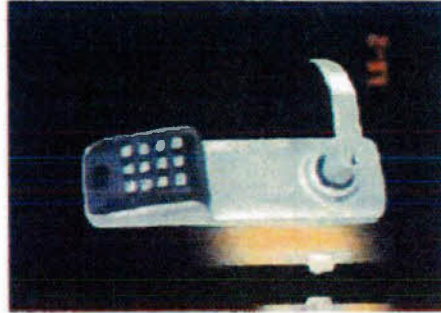
Stand Alone Keypad
 Access Control Lockset.

LS-2

Computer and wireless
 PDA managed Access
 Control Lockset with
 audit trail.

LS-2P

Computer and wireless
 PDA managed Access
 Control Lockset with
 audit trail and proximity.



LS-1 FEATURES

- Keypad programmable with Master Code
- 120 individual user codes including Master, Supervisor and Emergency

LS-2 & LS-2P FEATURES

- 2,000 individual users per lockset
- 2,000 transactions stored per lockset
- Wireless lockset programming and audit trail retrieval with PDA running Palm® OS version 4.1 or lower
- Managed with HubMan Professional Software version 4 or newer
- Unlimited Access Levels including Time Zones and Holidays
- 10,000 users per system
- Unlimited Sites
- Import user names

LS-2P FEATURES

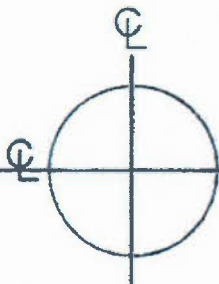
- Read most HID proximity cards and fobs
- Users can be Code, Card, Code and Card, Code or Card



©2001 INTERNATIONAL ELECTRONICS, INC.
427 TURNPIKE STREET, CANTON, MA 02021
(800) 343-9502 • FAX INFO CENTER:
(781) 821-0734 • www.ieib.com
DOC. #8108004
REV. 1.0

MARK FOR RACEWAY HOLE
3/4" (19.05 mm)

6-1/2" (165.1 mm)



Mark for
1" dia. (25 mm)
Latch Hole
at Center Line
of Door Thickness

DETACH ON DOTTED LINE

2-3/4" (70 mm) BACKSET

**IMPORTANT
PLACE TEMPLATE
ON HIGH EDGE OF
DOOR BEVEL**

5/16" Hole

5/16" Hole

MARK
CENTER
FOR
2-1/8"
(54 mm)
HOLE

DOOR THICKNESS GAUGE

OUTSIDE
MOUNTING
PLATE

CENTER OF
RETRACTOR

1-5/8" DOOR

1-3/4" DOOR

1-7/8" DOOR