

DETAIL #	TITLE	REV	DATE
TC0.00	LIST OF DETAILS	A	7/30/2010
DD1.01	SINGLE DOOR W/DOOR POSITION SENSOR	A	7/30/2010
DD1.02	SINGLE DOOR W/CARD READER & ELECTRIC STRIKE	A	7/30/2010
DD1.03	SINGLE DOOR W/CARD READER & ELECTRIC LOCK	A	7/30/2010
DD1.04	SINGLE DOOR W/CARD READER & ELECTRIFIED PANIC BAR	A	7/30/2010
DD1.05	SINGLE DOOR W/CARD READER & ELECTROMAGNETIC LOCK	A	7/30/2010
DD1.06	SINGLE DOOR W/CARD READER & UNLOCKED PASSAGE SET	A	7/30/2010
DD2.01	DOUBLE DOOR W/DOOR POSITION SENSOR	A	7/30/2010
DD2.02	DOUBLE DOOR W/CARD READER & ELECTRIC STRIKE	A	7/30/2010
DD2.03	DOUBLE DOOR W/CARD READER & ELECTRIC LOCK	A	7/30/2010
DD2.04	DOUBLE DOOR W/CARD READER & ELECTRIFIED PANIC BAR	A	7/30/2010
DD2.05	DOUBLE DOOR W/CARD READER & ELECTROMAGNETIC LOCK	A	7/30/2010
DD2.06	DOUBLE DOOR W/CARD READER & UNLOCKED PASSAGE SET	A	7/30/2010
DD3.01	OVERHEAD DOOR W/DOOR POSITION SENSOR	A	7/30/2010
DD3.02	MOTORIZED OHD W/CARD READER & SAFETY LOOPS	A	7/30/2010
DD4.01	REVOLVING DOOR WITH DOOR POSITION SENSORS	A	7/30/2010
DD4.02	REVOLVING DOOR WITH CARD READER	A	7/30/2010
DD5.01	MOTORIZED SINGLE ROLLING GATE	A	7/30/2010
DD5.02	MOTORIZED WIDE ROLLING GATE	A	7/30/2010
DD5.03	MOTORIZED DOUBLE SWING GATE	A	7/30/2010
DD6.01	PERSONNEL GATE WITH DOOR POSITION SENSOR	A	7/30/2010
DD6.02	PERSONNEL GATE WITH CARD READER	A	7/30/2010
ES0.01	STANDARD EQUIPMENT LIST	A	7/30/2010
GS0.01	GENERAL STANDARDS	A	7/30/2010
GS0.02	CABLE & CONDUIT STANDARDS	A	7/30/2010
GS0.03	DEVICE DESCRIPTORS	A	7/30/2010
ID1.01	FIRE ALARM DOOR RELEASE TO LOCK POWER SUPPLY	A	7/30/2010
ID1.03	FIRE ALARM SYSTEM PANIC BAR DOOR RELEASE	A	7/30/2010
ID1.04	MECHANIZED OHD INTERFACE	A	7/30/2010
ID1.05	MOTORIZED GATE INTERFACE	A	7/30/2010
ID9.01	INTERCOM DOOR RELEASE INTERFACE	A	7/30/2010
MD1.01	CARD READER PEDESTAL FOR AUTOMATIC GATE OR OHD	A	7/30/2010
MD2.01	PANEL LAYOUT GE & CONVERSION	A	7/30/2010
MD2.02	PANEL LAYOUT NEW SYSTEM	A	7/30/2010
MD3.01	FIXED CCTV CAMERA	A	7/30/2010
MD3.02	PTZ CCTV CAMERA	A	7/30/2010
WD1.01	DOOR POSITION SENSOR WIRING	A	7/30/2010
WD1.02	CARD READER WIRING	A	7/30/2010
WD1.03	REX PIR WIRING	A	7/30/2010
WD1.04	ELECTRIC STRIKE OR ELECTRIC LOCK WIRING	A	7/30/2010
WD1.05	ELECTRIFIED PANIC BAR WIRING	A	7/30/2010
WD1.07	ELECTROMAGNETIC LOCK WITH PNEUMATIC REX WIRING	A	7/30/2010
WD1.08	EMERGENCY EXIT ALARM	A	7/30/2010
WD2.02	EP1502 CONVERSION WIRING	A	7/30/2010
WD2.05	MR-50 CONVERSION WIRING	A	7/30/2010
WD8.01	ANALOG CAMERAS WITH LOCAL MONITORING	A	7/30/2010
WD8.02	ANALOG CAMERAS WITH MONITORING OVER THE INTERNET	A	7/30/2010



DISTRICT OF COLUMBIA



STANDARD SECURITY DETAIL

TITLE:

LIST OF DETAILS

DATE:
7/30/2010

PROJ #:
912101

DWG #:
TC0.00

DRAWN BY:
SDA

SCALE:
NTS

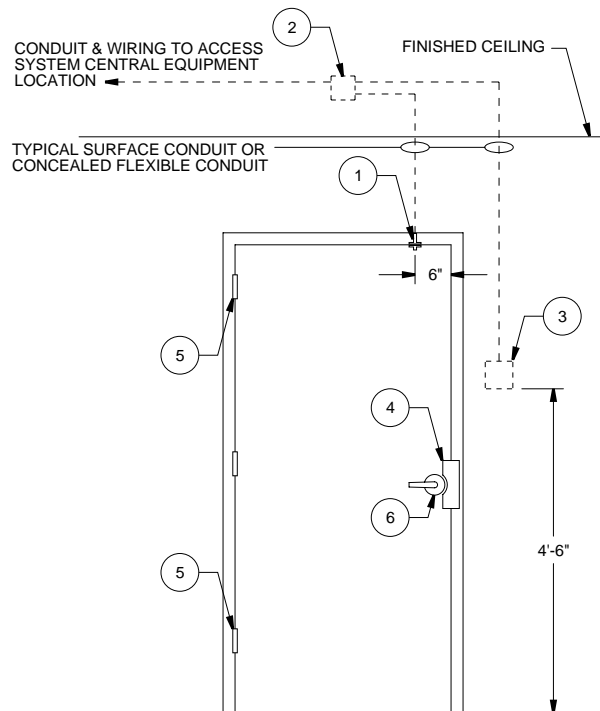
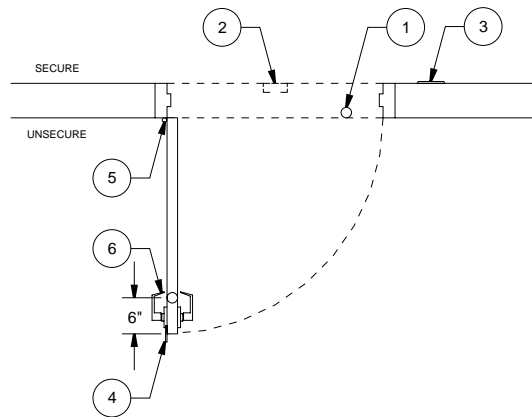
REV:
A

GENERAL NOTES:

1. BEST ENGINEERING JUDGEMENT SHALL BE UTILIZED IN APPLYING THESE DETAILS IN ORDER TO MEET THE DESIGN INTENT.
2. ALL DIMENSIONS ARE APPROXIMATE.
3. ALL CONDUIT SHALL BE SIZED IN ACCORDANCE WITH THE NATIONAL ELECTRICAL CODE AND LOCAL CODES.
4. JUNCTION BOXES AND CONDUIT SHALL BE MOUNTED OR FASTENED ON THE SECURE SIDE OF THE DOOR.
5. ALL CONDUIT AND WIRING TO BE INSTALLED PER DETAILS GS0.01 AND GS0.02.
6. SEE DETAIL ES0.01 FOR SPECIFIC DEVICE MODEL NUMBERS TO SUIT.
7. DOOR TO BE EQUIPPED WITH AUTOMATIC CLOSING DEVICE (SUPPLIED BY OTHERS PRIOR TO INSTALLATION) WITH ALL AUTO HOLD OPEN FUNCTIONS DISABLED.
8. DOOR TO BE PROVIDED WITH PLACARD (SUPPLIED BY OTHERS PRIOR TO INSTALLTION) SHOWING DOOR NUMBER.

EMERGENCY EXIT ALARM SEQUENCE OF OPERATION:

1. EMERGENCY EXIT ALARM SHALL SOUND WHEN DOOR IS OPENED.
2. EMERGENCY EXIT ALARM SHALL SOUND UNTIL RESET MANUALLY WITH A KEY.



DEVICE	DEVICE DESCRIPTION	COMMENTS
1	DOOR POSITION SENSOR	
2	4" x 4" JUNCTION BOX	
3	EMERGENCY EXIT ALARM	SEE DETAIL WD1.08, USE ONLY ON EMERG. EXIT DOOR
4	LATCH GUARD	OUTSWING DOOR ONLY
5	SECURITY HINGE	EXTERIOR OUTSWING DOOR ONLY SUPPLIED BY OTHERS PRIOR TO INSTALL
6	STOREROOM FUNCTION LOCK SET	SUPPLIED BY OTHERS PRIOR TO INSTALL
ALARM SIGNAGE DESCRIBING AUDIBLE ALARM OPERATION AS REQUIRED		



DISTRICT OF COLUMBIA



STANDARD SECURITY DETAIL

TITLE: **SINGLE DOOR W/DOOR POSITION SENSOR**

DATE: 7/30/2010

PROJ #: 912101

DWG #: **DD1.01**

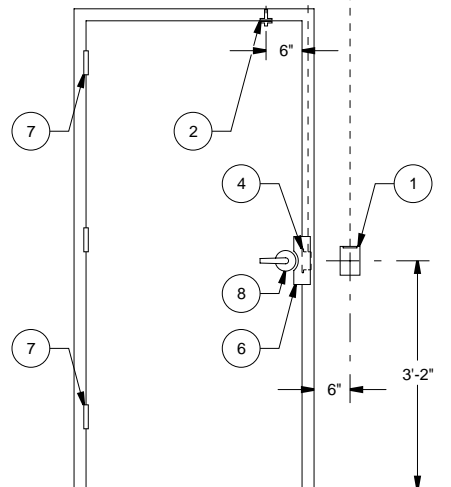
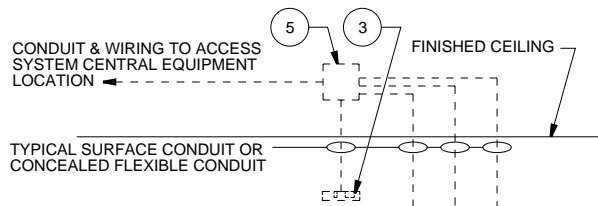
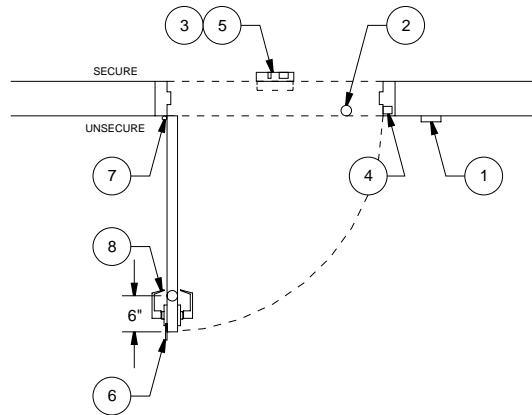
DRAWN BY: SDA

SCALE: NTS

REV: A

GENERAL NOTES:

1. BEST ENGINEERING JUDGEMENT SHALL BE UTILIZED IN APPLYING THESE DETAILS IN ORDER TO MEET THE DESIGN INTENT.
2. ALL DIMENSIONS ARE APPROXIMATE.
3. ALL CONDUIT SHALL BE SIZED IN ACCORDANCE WITH THE NATIONAL ELECTRICAL CODE AND LOCAL CODES.
4. JUNCTION BOXES AND CONDUIT SHALL BE MOUNTED OR FASTENED ON THE SECURE SIDE OF THE DOOR.
5. ALL CONDUIT AND WIRING TO BE INSTALLED PER DETAILS GS0.01 AND GS0.02.
6. SEE DETAIL ES0.01 FOR SPECIFIC DEVICE MODEL NUMBERS TO SUIT.
7. DOOR TO BE EQUIPPED WITH AUTOMATIC CLOSING DEVICE (SUPPLIED BY OTHERS PRIOR TO INSTALLATION) WITH ALL AUTO HOLD OPEN FUNCTIONS DISABLED.
8. DOOR TO BE PROVIDED WITH PLACARD (SUPPLIED BY OTHERS PRIOR TO INSTALLTION) SHOWING DOOR NUMBER.



DEVICE	DEVICE DESCRIPTION	COMMENTS
1	CARD READER	
2	DOOR POSITION SENSOR	
3	REX PIR	
4	ELECTRIC STRIKE	
5	6" x 6" JUNCTION BOX	USED ON ALL NEW INSTALLATIONS
5	DOOR INTERFACE UNIT	USED ON ALL GE CONVERSIONS
6	LATCH GUARD	OUTSWING DOOR ONLY
7	SECURITY HINGE	EXTERIOR OUTSWING DOOR ONLY SUPPLIED BY OTHERS PRIOR TO INSTALL
8	STOREROOM FUNCTION LOCK SET	SUPPLIED BY OTHERS PRIOR TO INSTALL



DISTRICT OF COLUMBIA



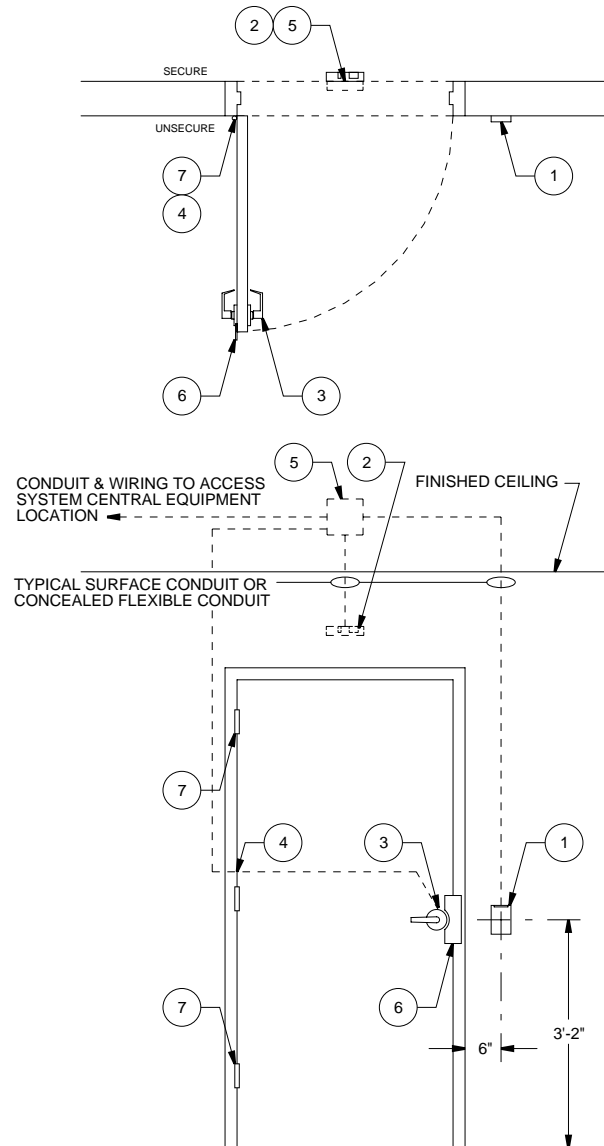
STANDARD SECURITY DETAIL

TITLE: **SINGLE DOOR W/CARD READER & ELECTRIC STRIKE**

DATE: 7/30/2010	PROJ #: 912101	DWG #: DD1.02
DRAWN BY: SDA	SCALE: NTS	REV: A

GENERAL NOTES:

1. BEST ENGINEERING JUDGEMENT SHALL BE UTILIZED IN APPLYING THESE DETAILS IN ORDER TO MEET THE DESIGN INTENT.
2. ALL DIMENSIONS ARE APPROXIMATE.
3. ALL CONDUIT SHALL BE SIZED IN ACCORDANCE WITH THE NATIONAL ELECTRICAL CODE AND LOCAL CODES.
4. JUNCTION BOXES AND CONDUIT SHALL BE MOUNTED OR FASTENED ON THE SECURE SIDE OF THE DOOR.
5. ALL CONDUIT AND WIRING TO BE INSTALLED PER DETAILS GS0.01 AND GS0.02.
6. SEE DETAIL ES0.01 FOR SPECIFIC DEVICE MODEL NUMBERS TO SUIT.
7. DOOR TO BE EQUIPPED WITH AUTOMATIC CLOSING DEVICE (SUPPLIED BY OTHERS PRIOR TO INSTALLATION) WITH ALL AUTO HOLD OPEN FUNCTIONS DISABLED.
8. DOOR TO BE PROVIDED WITH PLACARD (SUPPLIED BY OTHERS PRIOR TO INSTALLTION) SHOWING DOOR NUMBER.



DEVICE	DEVICE DESCRIPTION	COMMENTS
1	CARD READER	
2	REX PIR	
3	ELECTRIC LOCK	
4	POWER TRANSFER DEVICE	
5	6" x 6" JUNCTION BOX	USED ON ALL NEW INSTALLATIONS
5	DOOR INTERFACE UNIT	USED ON ALL GE CONVERSIONS
6	LATCH GUARD	OUTSWING DOOR ONLY
7	SECURITY HINGE	EXTERIOR OUTSWING DOOR ONLY SUPPLIED BY OTHERS PRIOR TO INSTALL



DISTRICT OF COLUMBIA



STANDARD SECURITY DETAIL

TITLE: **SINGLE DOOR W/CARD READER & ELECTRIC LOCK**

DATE: 7/30/2010

PROJ #: 912101

DWG #: **DD1.03**

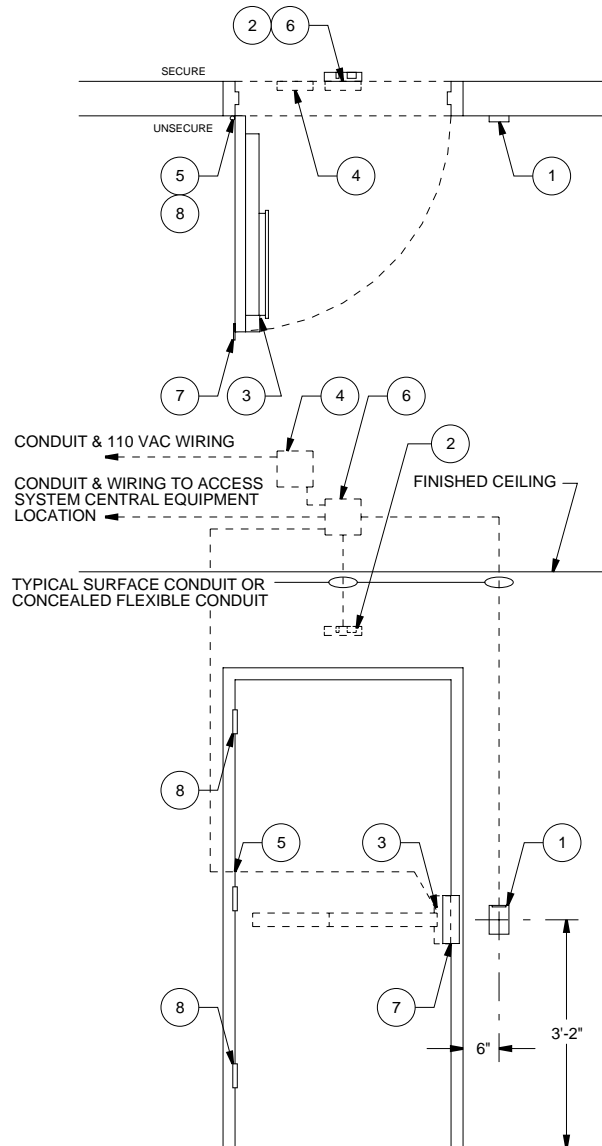
DRAWN BY: SDA

SCALE: NTS

REV: A

GENERAL NOTES:

1. BEST ENGINEERING JUDGEMENT SHALL BE UTILIZED IN APPLYING THESE DETAILS IN ORDER TO MEET THE DESIGN INTENT.
2. ALL DIMENSIONS ARE APPROXIMATE.
3. ALL CONDUIT SHALL BE SIZED IN ACCORDANCE WITH THE NATIONAL ELECTRICAL CODE AND LOCAL CODES.
4. JUNCTION BOXES AND CONDUIT SHALL BE MOUNTED OR FASTENED ON THE SECURE SIDE OF THE DOOR.
5. ALL CONDUIT AND WIRING TO BE INSTALLED PER DETAILS GS0.01 AND GS0.02.
6. SEE DETAIL ES0.01 FOR SPECIFIC DEVICE MODEL NUMBERS TO SUIT.
7. DOOR TO BE EQUIPPED WITH AUTOMATIC CLOSING DEVICE (SUPPLIED BY OTHERS PRIOR TO INSTALLATION) WITH ALL AUTO HOLD OPEN FUNCTIONS DISABLED.
8. DOOR TO BE PROVIDED WITH PLACARD (SUPPLIED BY OTHERS PRIOR TO INSTALLTION) SHOWING DOOR NUMBER.
9. ALL 110VAC SUPPLY TO BE INSTALLED BY OTHERS IN ACCORDANCE WITH DETAIL GS0.02.



DEVICE	DEVICE DESCRIPTION	COMMENTS
1	CARD READER	
2	REX PIR	
3	ELECTRIFIED PANIC BAR	
4	ELECTRIFIED PANIC BAR PWR SUPPLY	
5	POWER TRANSFER DEVICE	
6	6" x 6" JUNCTION BOX	USED ON ALL NEW INSTALLATIONS
6	DOOR INTERFACE UNIT	USED ON ALL GE CONVERSIONS
7	LATCH GUARD	OUTSWING DOOR ONLY
8	SECURITY HINGE	EXTERIOR OUTSWING DOOR ONLY SUPPLIED BY OTHERS PRIOR TO INSTALL



DISTRICT OF COLUMBIA



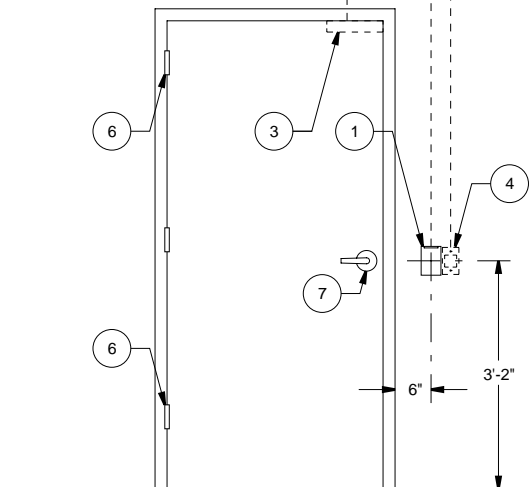
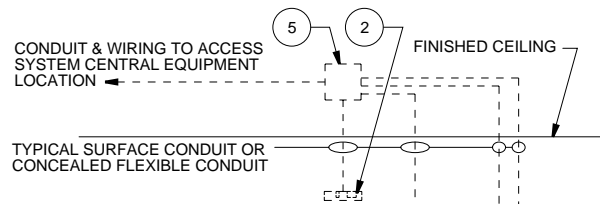
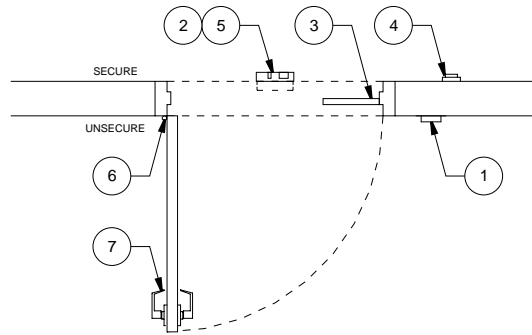
STANDARD SECURITY DETAIL

TITLE:
**SINGLE DOOR W/CARD READER
& ELECTRIFIED PANIC BAR**

DATE: 7/30/2010	PROJ #: 912101	DWG #: DD1.04
DRAWN BY: SDA	SCALE: NTS	REV: A

GENERAL NOTES:

1. BEST ENGINEERING JUDGEMENT SHALL BE UTILIZED IN APPLYING THESE DETAILS IN ORDER TO MEET THE DESIGN INTENT.
2. ALL DIMENSIONS ARE APPROXIMATE.
3. ALL CONDUIT SHALL BE SIZED IN ACCORDANCE WITH THE NATIONAL ELECTRICAL CODE AND LOCAL CODES.
4. JUNCTION BOXES AND CONDUIT SHALL BE MOUNTED OR FASTENED ON THE SECURE SIDE OF THE DOOR.
5. ALL CONDUIT AND WIRING TO BE INSTALLED PER DETAILS GS0.01 AND GS0.02.
6. SEE DETAIL ES0.01 FOR SPECIFIC DEVICE MODEL NUMBERS TO SUIT.
7. DOOR TO BE EQUIPPED WITH AUTOMATIC CLOSING DEVICE (SUPPLIED BY OTHERS PRIOR TO INSTALLATION) WITH ALL AUTO HOLD OPEN FUNCTIONS DISABLED.
8. DOOR TO BE PROVIDED WITH PLACARD (SUPPLIED BY OTHERS PRIOR TO INSTALLTION) SHOWING DOOR NUMBER.



DEVICE	DEVICE DESCRIPTION	COMMENTS
1	CARD READER	
2	REX PIR	
3	ELECTROMAGNETIC LOCK	NOT TO BE USED ON EXTERIOR DOOR
4	EMERGENCY EXIT BUTTON	
5	6" x 6" JUNCTION BOX	USED ON ALL NEW INSTALLATIONS
5	DOOR INTERFACE UNIT	USED ON ALL GE CONVERSIONS
6	SECURITY HINGE	EXTERIOR OUTSWING DOOR ONLY SUPPLIED BY OTHERS PRIOR TO INSTALL
7	DUMMY TRIM (NO LOCK, NO LATCH)	SUPPLIED BY OTHERS PRIOR TO INSTALL



DISTRICT OF COLUMBIA



STANDARD SECURITY DETAIL

TITLE:
**SINGLE DOOR W/CARD READER
& ELECTROMAGNETIC LOCK**

DATE: 7/30/2010 PROJ #: 912101 DWG #: **DD1.05**

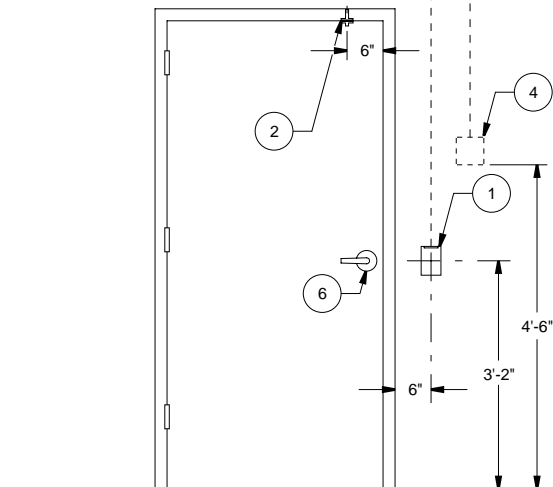
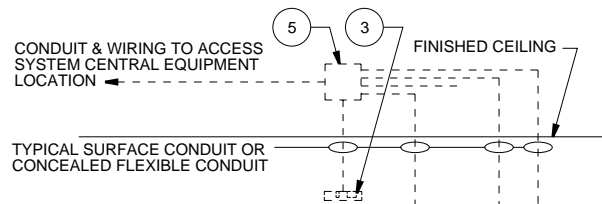
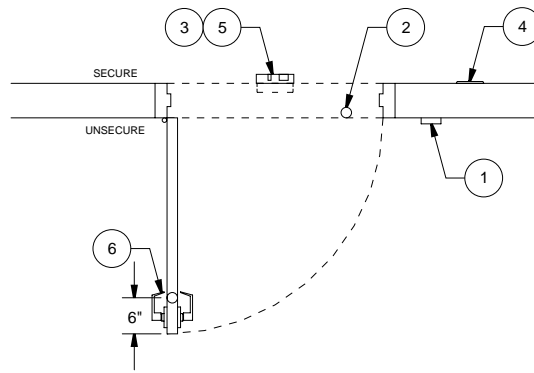
DRAWN BY: SDA SCALE: NTS REV: A

GENERAL NOTES:

1. BEST ENGINEERING JUDGEMENT SHALL BE UTILIZED IN APPLYING THESE DETAILS IN ORDER TO MEET THE DESIGN INTENT.
2. ALL DIMENSIONS ARE APPROXIMATE.
3. ALL CONDUIT SHALL BE SIZED IN ACCORDANCE WITH THE NATIONAL ELECTRICAL CODE AND LOCAL CODES.
4. JUNCTION BOXES AND CONDUIT SHALL BE MOUNTED OR FASTENED ON THE SECURE SIDE OF THE DOOR.
5. ALL CONDUIT AND WIRING TO BE INSTALLED PER DETAILS GS0.01 AND GS0.02.
6. SEE DETAIL ES0.01 FOR SPECIFIC DEVICE MODEL NUMBERS TO SUIT.
7. DOOR TO BE EQUIPPED WITH AUTOMATIC CLOSING DEVICE (SUPPLIED BY OTHERS PRIOR TO INSTALLATION) WITH ALL AUTO HOLD OPEN FUNCTIONS DISABLED.
8. DOOR TO BE PROVIDED WITH PLACARD (SUPPLIED BY OTHERS PRIOR TO INSTALLTION) SHOWING DOOR NUMBER.

EMERGENCY EXIT ALARM SEQUENCE OF OPERATION:

1. EMERGENCY EXIT ALARM SHALL SOUND WHEN DOOR IS OPENED WITHOUT VALID CARD READ OR REQUEST TO EXIT.
2. EMERGENCY EXIT ALARM SHALL SOUND WHEN DOOR IS HELD BEYOND PROGRAMMED TIME LIMIT.
3. EMERGENCY EXIT ALARM SHALL SOUND UNTIL RESET MANUALLY WITH A KEY.



DEVICE	DEVICE DESCRIPTION	COMMENTS
1	CARD READER	
2	DOOR POSITION SENSOR	
3	REX PIR	
4	EMERGENCY EXIT ALARM	
5	6" x 6" JUNCTION BOX	USED ON ALL NEW INSTALLATIONS
5	DOOR INTERFACE UNIT	USED ON ALL GE CONVERSIONS
6	UNLOCKED PASSAGE LOCK SET	SUPPLIED BY OTHERS PRIOR TO INSTALL
ALARM SIGNAGE DESCRIBING AUDIBLE ALARM OPERATION AS REQUIRED		



DISTRICT OF COLUMBIA



STANDARD SECURITY DETAIL

TITLE:
**SINGLE DOOR W/CARD READER
& UNLOCKED PASSAGE SET**

DATE: 7/30/2010 | PROJ #: 912101 | DWG #: **DD1.06**

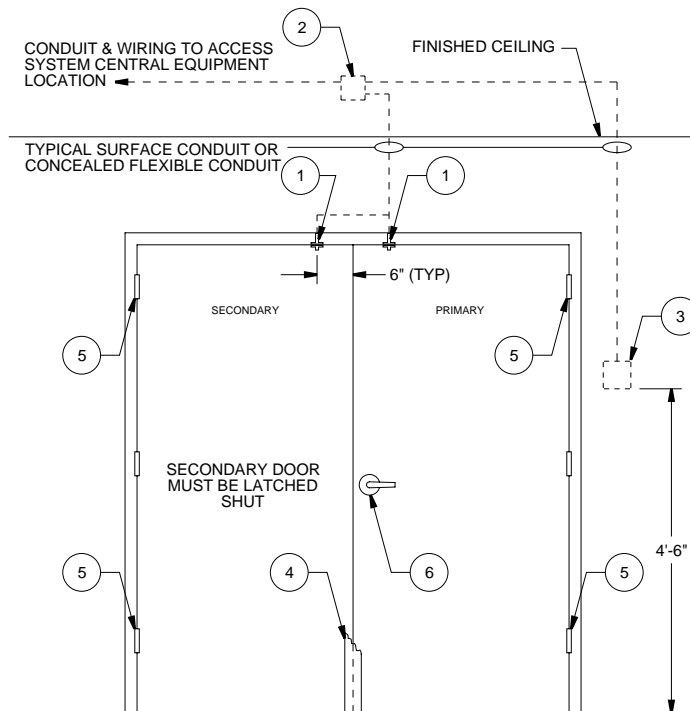
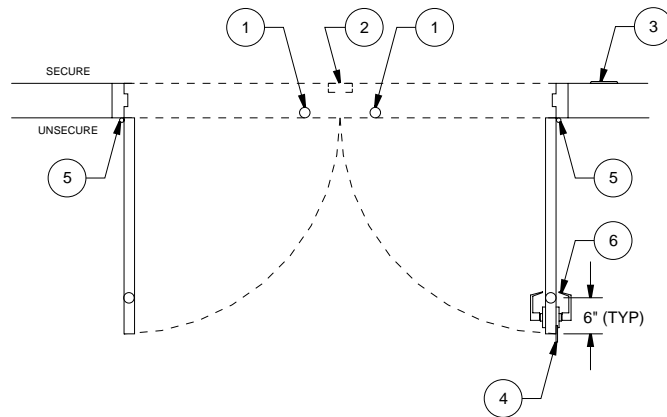
DRAWN BY: SDA | SCALE: NTS | REV: A

GENERAL NOTES:

1. BEST ENGINEERING JUDGEMENT SHALL BE UTILIZED IN APPLYING THESE DETAILS IN ORDER TO MEET THE DESIGN INTENT.
2. ALL DIMENSIONS ARE APPROXIMATE.
3. ALL CONDUIT SHALL BE SIZED IN ACCORDANCE WITH THE NATIONAL ELECTRICAL CODE AND LOCAL CODES.
4. JUNCTION BOXES AND CONDUIT SHALL BE MOUNTED OR FASTENED ON THE SECURE SIDE OF THE DOOR.
5. ALL CONDUIT AND WIRING TO BE INSTALLED PER DETAILS GS0.01 AND GS0.02.
6. SEE DETAIL ES0.01 FOR SPECIFIC DEVICE MODEL NUMBERS TO SUIT.
7. DOOR TO BE EQUIPPED WITH AUTOMATIC CLOSING DEVICE (SUPPLIED BY OTHERS PRIOR TO INSTALLATION) WITH ALL AUTO HOLD OPEN FUNCTIONS DISABLED.
8. DOOR TO BE PROVIDED WITH PLACARD (SUPPLIED BY OTHERS PRIOR TO INSTALLTION) SHOWING DOOR NUMBER.
9. ASTRAGAL TO BE LOCATED ON UNSECURE SIDE OF PRIMARY DOOR FOR OUTSWING OR UNSECURE SIDE OF SECONDARY DOOR FOR INSWING SITUATIONS.

EMERGENCY EXIT ALARM SEQUENCE OF OPERATION:

1. EMERGENCY EXIT ALARM SHALL SOUND WHEN DOOR IS OPENED.
2. EMERGENCY EXIT ALARM SHALL SOUND UNTIL RESET MANUALLY WITH A KEY.



DEVICE	DEVICE DESCRIPTION	COMMENTS
1	DOOR POSITION SENSOR	
2	4" x 4" JUNCTION BOX	
3	EMERGENCY EXIT ALARM	SEE DETAIL WD1.08, USE ONLY ON EMERG. EXIT DOOR
4	ATRAGAL	
5	SECURITY HINGE	EXTERIOR OUTSWING DOOR ONLY SUPPLIED BY OTHERS PRIOR TO INSTALL
6	STOREROOM FUNCTION LOCK SET	SUPPLIED BY OTHERS PRIOR TO INSTALL
ALARM SIGNAGE DESCRIBING AUDIBLE ALARM OPERATION AS REQUIRED		



DISTRICT OF COLUMBIA



STANDARD SECURITY DETAIL

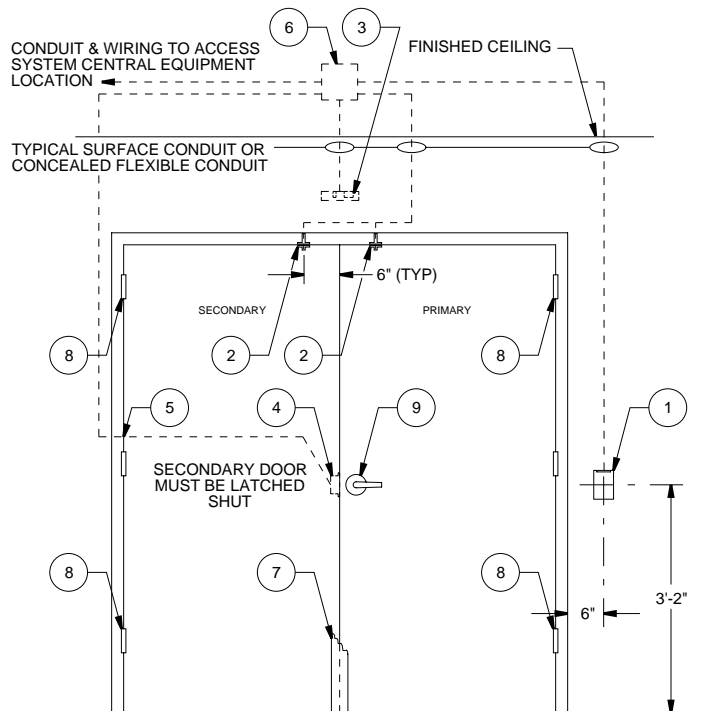
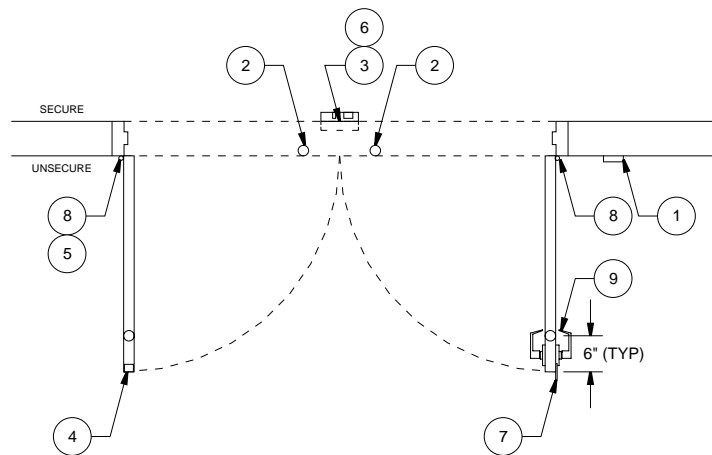
TITLE: **DOUBLE DOOR W/DOOR POSITION SENSOR**

DATE: 7/30/2010 PROJ #: 912101 DWG #: **DD2.01**

DRAWN BY: SDA SCALE: NTS REV: A

GENERAL NOTES:

1. BEST ENGINEERING JUDGEMENT SHALL BE UTILIZED IN APPLYING THESE DETAILS IN ORDER TO MEET THE DESIGN INTENT.
2. ALL DIMENSIONS ARE APPROXIMATE.
3. ALL CONDUIT SHALL BE SIZED IN ACCORDANCE WITH THE NATIONAL ELECTRICAL CODE AND LOCAL CODES.
4. JUNCTION BOXES AND CONDUIT SHALL BE MOUNTED OR FASTENED ON THE SECURE SIDE OF THE DOOR.
5. ALL CONDUIT AND WIRING TO BE INSTALLED PER DETAILS GS0.01 AND GS0.02.
6. SEE DETAIL ES0.01 FOR SPECIFIC DEVICE MODEL NUMBERS TO SUIT.
7. DOOR TO BE EQUIPPED WITH AUTOMATIC CLOSING DEVICE (SUPPLIED BY OTHERS PRIOR TO INSTALLATION) WITH ALL AUTO HOLD OPEN FUNCTIONS DISABLED.
8. DOOR TO BE PROVIDED WITH PLACARD (SUPPLIED BY OTHERS PRIOR TO INSTALLTION) SHOWING DOOR NUMBER.
9. ASTRAGAL TO BE LOCATED ON UNSECURE SIDE OF PRIMARY DOOR FOR OUTSWING OR UNSECURE SIDE OF SECONDARY DOOR FOR INSWING SITUATIONS.



DEVICE	DEVICE DESCRIPTION	COMMENTS
1	CARD READER	
2	DOOR POSITION SENSOR	
3	REX PIR	
4	ELECTRIC STRIKE	
5	POWER TRANSFER DEVICE	
5	6" x 6" JUNCTION BOX	USED ON ALL NEW INSTALLATIONS
6	DOOR INTERFACE UNIT	USED ON ALL GE CONVERSIONS
7	ASTRAGAL	
8	SECURITY HINGE	EXTERIOR OUTSWING DOOR ONLY SUPPLIED BY OTHERS PRIOR TO INSTALL
9	STOREROOM FUNCTION LOCK SET	SUPPLIED BY OTHERS PRIOR TO INSTALL



DISTRICT OF COLUMBIA



STANDARD SECURITY DETAIL

TITLE: **DOUBLE DOOR W/CARD READER & ELECTRIC STRIKE**

DATE: 7/30/2010

PROJ #: 912101

DWG #: **DD2.02**

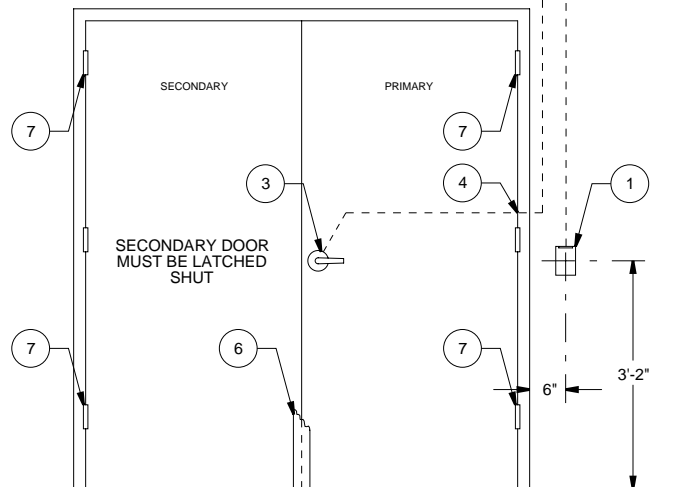
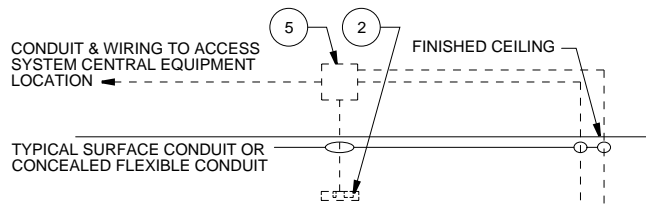
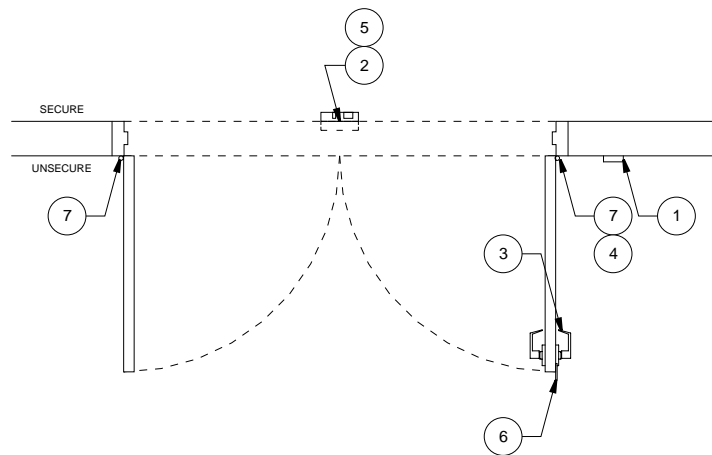
DRAWN BY: SDA

SCALE: NTS

REV: A

GENERAL NOTES:

1. BEST ENGINEERING JUDGEMENT SHALL BE UTILIZED IN APPLYING THESE DETAILS IN ORDER TO MEET THE DESIGN INTENT.
2. ALL DIMENSIONS ARE APPROXIMATE.
3. ALL CONDUIT SHALL BE SIZED IN ACCORDANCE WITH THE NATIONAL ELECTRICAL CODE AND LOCAL CODES.
4. JUNCTION BOXES AND CONDUIT SHALL BE MOUNTED OR FASTENED ON THE SECURE SIDE OF THE DOOR.
5. ALL CONDUIT AND WIRING TO BE INSTALLED PER DETAILS GS0.01 AND GS0.02.
6. SEE DETAIL ES0.01 FOR SPECIFIC DEVICE MODEL NUMBERS TO SUIT.
7. DOOR TO BE EQUIPPED WITH AUTOMATIC CLOSING DEVICE (SUPPLIED BY OTHERS PRIOR TO INSTALLATION) WITH ALL AUTO HOLD OPEN FUNCTIONS DISABLED.
8. DOOR TO BE PROVIDED WITH PLACARD (SUPPLIED BY OTHERS PRIOR TO INSTALLTION) SHOWING DOOR NUMBER.
9. ASTRAGAL TO BE LOCATED ON UNSECURE SIDE OF PRIMARY DOOR FOR OUTSWING OR UNSECURE SIDE OF SECONDARY DOOR FOR INSWING SITUATIONS.



DEVICE	DEVICE DESCRIPTION	COMMENTS
1	CARD READER	
2	REX PIR	
3	ELECTRIC LOCK	
4	POWER TRANSFER DEVICE	
5	6" x 6" JUNCTION BOX	USED ON ALL NEW INSTALLATIONS
5	DOOR INTERFACE UNIT	USED ON ALL GE CONVERSIONS
6	ASTRAGAL	
7	SECURITY HINGE	EXTERIOR OUTSWING DOOR ONLY SUPPLIED BY OTHERS PRIOR TO INSTALL



DISTRICT OF COLUMBIA



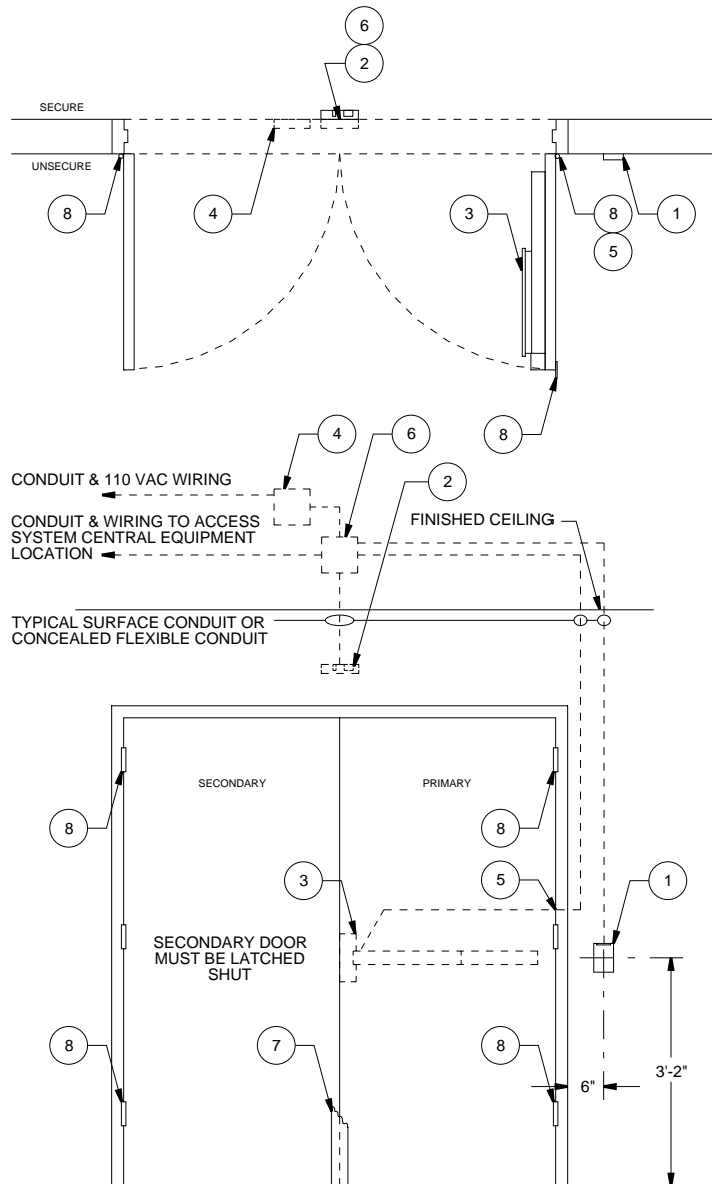
STANDARD SECURITY DETAIL

TITLE: **DOUBLE DOOR W/CARD READER & ELECTRIC LOCK**

DATE: 7/30/2010	PROJ #: 912101	DWG #: DD2.03
DRAWN BY: SDA	SCALE: NTS	REV: A

GENERAL NOTES:

1. BEST ENGINEERING JUDGEMENT SHALL BE UTILIZED IN APPLYING THESE DETAILS IN ORDER TO MEET THE DESIGN INTENT.
2. ALL DIMENSIONS ARE APPROXIMATE.
3. ALL CONDUIT SHALL BE SIZED IN ACCORDANCE WITH THE NATIONAL ELECTRICAL CODE AND LOCAL CODES.
4. JUNCTION BOXES AND CONDUIT SHALL BE MOUNTED OR FASTENED ON THE SECURE SIDE OF THE DOOR.
5. ALL CONDUIT AND WIRING TO BE INSTALLED PER DETAILS GS0.01 AND GS0.02.
6. SEE DETAIL ES0.01 FOR SPECIFIC DEVICE MODEL NUMBERS TO SUIT.
7. DOOR TO BE EQUIPPED WITH AUTOMATIC CLOSING DEVICE (SUPPLIED BY OTHERS PRIOR TO INSTALLATION) WITH ALL AUTO HOLD OPEN FUNCTIONS DISABLED.
8. DOOR TO BE PROVIDED WITH PLACARD (SUPPLIED BY OTHERS PRIOR TO INSTALLTION) SHOWING DOOR NUMBER.
9. ASTRAGAL TO BE LOCATED ON UNSECURE SIDE OF PRIMARY DOOR FOR OUTSWING OR UNSECURE SIDE OF SECONDARY DOOR FOR INSWING SITUATIONS.
10. ALL 110VAC SUPPLY TO BE INSTALLED BY OTHERS IN ACCORDANCE WITH DETAIL GS0.02.



DEVICE	DEVICE DESCRIPTION	COMMENTS
1	CARD READER	
2	REX PIR	
3	ELECTRIFIED PANIC BAR	
4	ELECTRIFIED PANIC BAR PWR SUPPLY	
5	POWER TRANSFER DEVICE	
6	6" x 6" JUNCTION BOX	USED ON ALL NEW INSTALLATIONS
6	DOOR INTERFACE UNIT	USED ON ALL GE CONVERSIONS
7	ASTRAGAL	
8	SECURITY HINGE	EXTERIOR OUTSWING DOOR ONLY SUPPLIED BY OTHERS PRIOR TO INSTALL



DISTRICT OF COLUMBIA



STANDARD SECURITY DETAIL

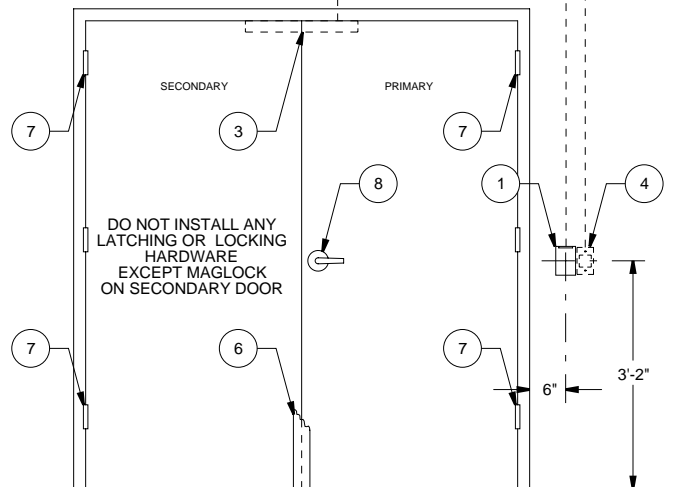
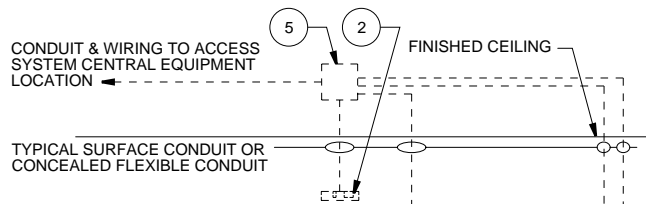
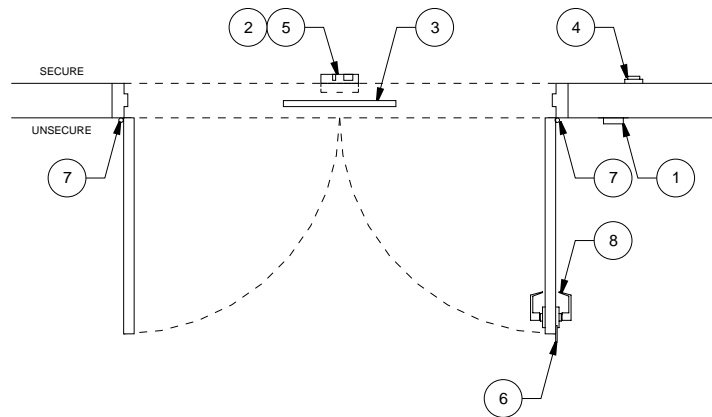
TITLE:
**DOUBLE DOOR W/CARD READER
& ELECTRIFIED PANIC BAR**

DATE: 7/30/2010 PROJ #: 912101 DWG #: **DD2.04**

DRAWN BY: SDA SCALE: NTS REV: A

GENERAL NOTES:

1. BEST ENGINEERING JUDGEMENT SHALL BE UTILIZED IN APPLYING THESE DETAILS IN ORDER TO MEET THE DESIGN INTENT.
2. ALL DIMENSIONS ARE APPROXIMATE.
3. ALL CONDUIT SHALL BE SIZED IN ACCORDANCE WITH THE NATIONAL ELECTRICAL CODE AND LOCAL CODES.
4. JUNCTION BOXES AND CONDUIT SHALL BE MOUNTED OR FASTENED ON THE SECURE SIDE OF THE DOOR.
5. ALL CONDUIT AND WIRING TO BE INSTALLED PER DETAILS GS0.01 AND GS0.02.
6. SEE DETAIL ES0.01 FOR SPECIFIC DEVICE MODEL NUMBERS TO SUIT.
7. DOOR TO BE EQUIPPED WITH AUTOMATIC CLOSING DEVICE (SUPPLIED BY OTHERS PRIOR TO INSTALLATION) WITH ALL AUTO HOLD OPEN FUNCTIONS DISABLED.
8. DOOR TO BE PROVIDED WITH PLACARD (SUPPLIED BY OTHERS PRIOR TO INSTALLTION) SHOWING DOOR NUMBER.
9. ASTRAGAL TO BE LOCATED ON UNSECURE SIDE OF PRIMARY DOOR FOR OUTSWING OR UNSECURE SIDE OF SECONDARY DOOR FOR INSWING SITUATIONS.



DEVICE	DEVICE DESCRIPTION	COMMENTS
1	CARD READER	
2	REX PIR	
3	ELECTROMAGNETIC LOCK	NOT TO BE USED ON EXTERIOR DOOR
4	EMERGENCY EXIT BUTTON	
5	6" x 6" JUNCTION BOX	USED ON ALL NEW INSTALLATIONS
5	DOOR INTERFACE UNIT	USED ON ALL GE CONVERSIONS
6	ASTRAGAL	
7	SECURITY HINGE	EXTERIOR OUTSWING DOOR ONLY SUPPLIED BY OTHERS PRIOR TO INSTALL
8	DUMMY TRIM (NO LOCK, NO LATCH)	SUPPLIED BY OTHERS PRIOR TO INSTALL



DISTRICT OF COLUMBIA



STANDARD SECURITY DETAIL

TITLE:
**DOUBLE DOOR W/CARD READER
& ELECTROMAGNETIC LOCK**

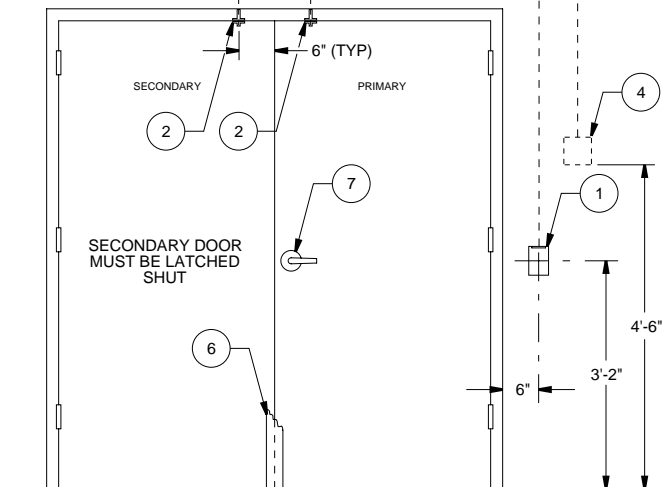
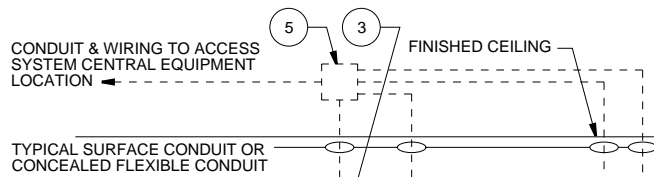
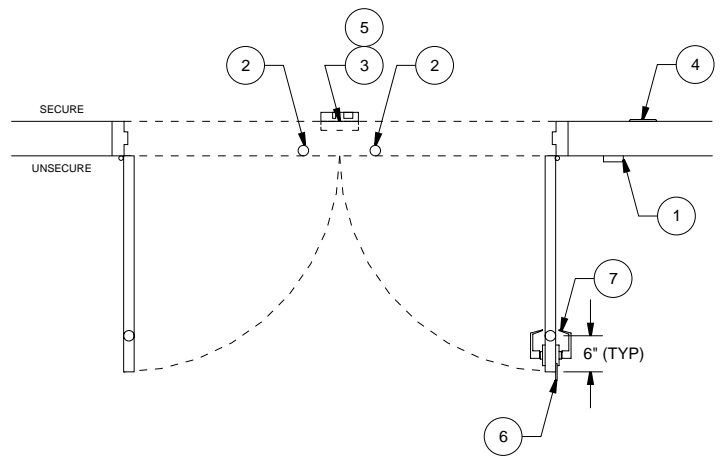
DATE: 7/30/2010	PROJ #: 912101	DWG #: DD2.05
DRAWN BY: SDA	SCALE: NTS	REV: A

GENERAL NOTES:

1. BEST ENGINEERING JUDGEMENT SHALL BE UTILIZED IN APPLYING THESE DETAILS IN ORDER TO MEET THE DESIGN INTENT.
2. ALL DIMENSIONS ARE APPROXIMATE.
3. ALL CONDUIT SHALL BE SIZED IN ACCORDANCE WITH THE NATIONAL ELECTRICAL CODE AND LOCAL CODES.
4. JUNCTION BOXES AND CONDUIT SHALL BE MOUNTED OR FASTENED ON THE SECURE SIDE OF THE DOOR.
5. ALL CONDUIT AND WIRING TO BE INSTALLED PER DETAILS GS0.01 AND GS0.02.
6. SEE DETAIL ES0.01 FOR SPECIFIC DEVICE MODEL NUMBERS TO SUIT.
7. DOOR TO BE EQUIPPED WITH AUTOMATIC CLOSING DEVICE (SUPPLIED BY OTHERS PRIOR TO INSTALLATION) WITH ALL AUTO HOLD OPEN FUNCTIONS DISABLED.
8. DOOR TO BE PROVIDED WITH PLACARD (SUPPLIED BY OTHERS PRIOR TO INSTALLTION) SHOWING DOOR NUMBER.
9. ASTRAGAL TO BE LOCATED ON UNSECURE SIDE OF PRIMARY DOOR FOR OUTSWING OR UNSECURE SIDE OF SECONDARY DOOR FOR INSWING SITUATIONS.

EMERGENCY EXIT ALARM SEQUENCE OF OPERATION:

1. EMERGENCY EXIT ALARM SHALL SOUND WHEN DOOR IS OPENED WITHOUT VALID CARD READ OR REQUEST TO EXIT.
2. EMERGENCY EXIT ALARM SHALL SOUND WHEN DOOR IS HELD BEYOND PROGRAMMED TIME LIMIT.
3. EMERGENCY EXIT ALARM SHALL SOUND UNTIL RESET MANUALLY WITH A KEY.



DEVICE	DEVICE DESCRIPTION	COMMENTS
1	CARD READER	
2	DOOR POSITION SENSOR	
3	REX PIR	
4	EMERGENCY EXIT ALARM	
5	6" x 6" JUNCTION BOX	USED ON ALL NEW INSTALLATIONS
5	DOOR INTERFACE UNIT	USED ON ALL GE CONVERSIONS
6	ASTRAGAL	
7	UNLOCKED PASSAGE LOCK SET	SUPPLIED BY OTHERS PRIOR TO INSTALL
ALARM SIGNAGE DESCRIBING AUDIBLE ALARM OPERATION AS REQUIRED		



DISTRICT OF COLUMBIA



STANDARD SECURITY DETAIL

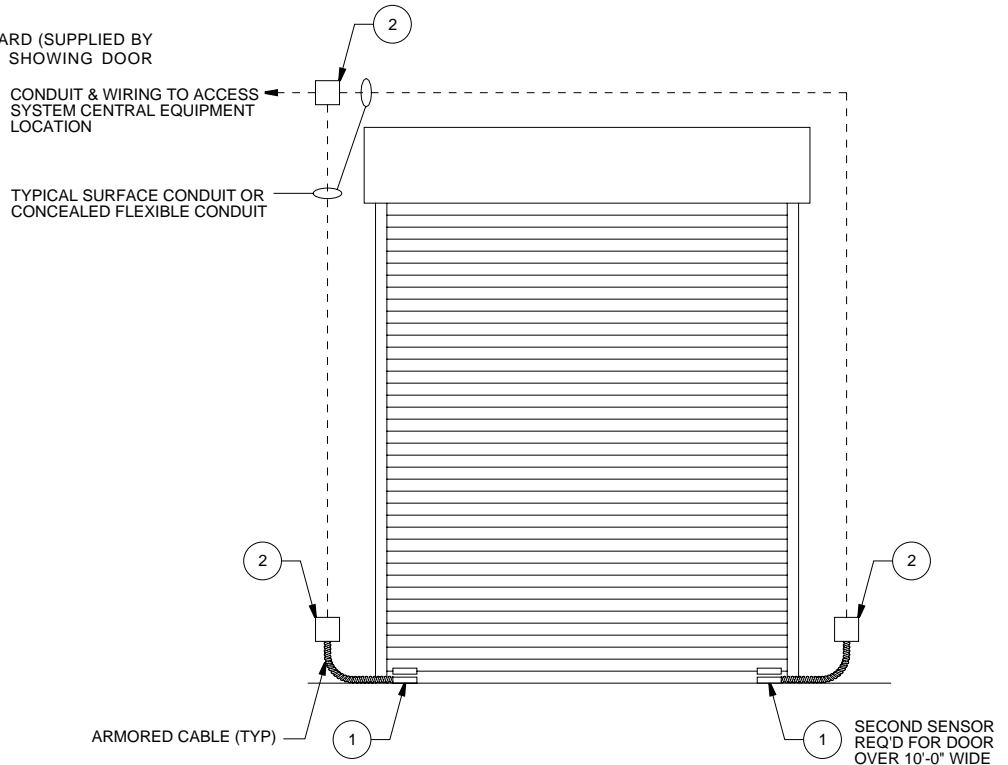
TITLE:
**DOUBLE DOOR W/CARD READER
& UNLOCKED PASSAGE SET**

DATE: 7/30/2010 | PROJ #: 912101 | DWG #: **DD2.06**

DRAWN BY: SDA | SCALE: NTS | REV: A

GENERAL NOTES:

1. BEST ENGINEERING JUDGEMENT SHALL BE UTILIZED IN APPLYING THESE DETAILS IN ORDER TO MEET THE DESIGN INTENT.
2. ALL DIMENSIONS ARE APPROXIMATE.
3. ALL CONDUIT SHALL BE SIZED IN ACCORDANCE WITH THE NATIONAL ELECTRICAL CODE AND LOCAL CODES.
4. JUNCTION BOXES AND CONDUIT SHALL BE MOUNTED OR FASTENED ON THE SECURE SIDE OF THE DOOR.
5. ALL CONDUIT AND WIRING TO BE INSTALLED PER DETAILS GS0.01 AND GS0.02.
6. SEE DETAIL ES0.01 FOR SPECIFIC DEVICE MODEL NUMBERS TO SUIT.
7. REFER TO DETAIL ID1.04 FOR INTERFACE WIRING AND SEQUENCE OF OPERATION.
8. DOOR TO BE PROVIDED WITH PLACARD (SUPPLIED BY OTHERS PRIOR TO INSTALLTION) SHOWING DOOR NUMBER.



DEVICE	DEVICE DESCRIPTION	COMMENTS
1	DOOR POSITION SENSOR (OHD)	FOR DOORS OVER 10'-0" WIDE LOCATE A SENSOR ON BOTH SIDES OF DOOR
2	4" x 4" JUNCTION BOX	



DISTRICT OF COLUMBIA



STANDARD SECURITY DETAIL

TITLE: **OVERHEAD DOOR W/DOOR POSITION SENSOR**

DATE: 7/30/2010

PROJ #: 912101

DWG #: **DD3.01**

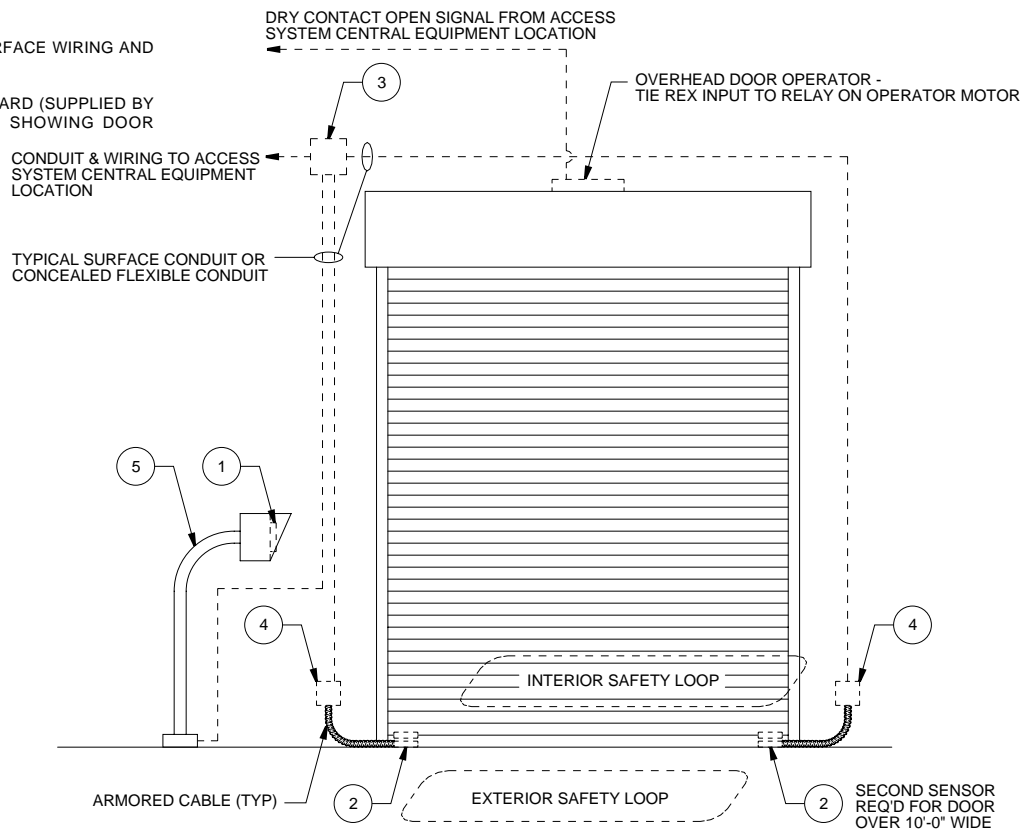
DRAWN BY: SDA

SCALE: NTS

REV: A

GENERAL NOTES:

1. BEST ENGINEERING JUDGEMENT SHALL BE UTILIZED IN APPLYING THESE DETAILS IN ORDER TO MEET THE DESIGN INTENT.
2. ALL DIMENSIONS ARE APPROXIMATE.
3. ALL CONDUIT SHALL BE SIZED IN ACCORDANCE WITH THE NATIONAL ELECTRICAL CODE AND LOCAL CODES.
4. JUNCTION BOXES AND CONDUIT SHALL BE MOUNTED OR FASTENED ON THE SECURE SIDE OF THE DOOR.
5. ALL CONDUIT AND WIRING TO BE INSTALLED PER DETAILS GS0.01 AND GS0.02.
6. SEE DETAIL ES0.01 FOR SPECIFIC DEVICE MODEL NUMBERS TO SUIT.
7. REFER TO DETAIL ID1.04 FOR INTERFACE WIRING AND SEQUENCE OF OPERATION.
8. DOOR TO BE PROVIDED WITH PLACARD (SUPPLIED BY OTHERS PRIOR TO INSTALLTION) SHOWING DOOR NUMBER.



DEVICE	DEVICE DESCRIPTION	COMMENTS
1	CARD READER	
2	DOOR POSITION SENSOR (OHD)	FOR DOORS OVER 10'-0" WIDE LOCATE A SENSOR ON BOTH SIDES OF DOOR
3	6" x 6" JUNCTION BOX	USED ON ALL NEW INSTALLATIONS
3	DOOR INTERFACE UNIT	USED ON ALL GE CONVERSIONS
4	4" x 4" JUNCTION BOX	
5	READER GOOSENECK STAND	SEE DETAIL MD1.01



DISTRICT OF COLUMBIA



STANDARD SECURITY DETAIL

TITLE:

MOTORIZED OHD W/CARD READER & SAFETY LOOPS

DATE: 7/30/2010

PROJ #: 912101

DWG #: **DD3.02**

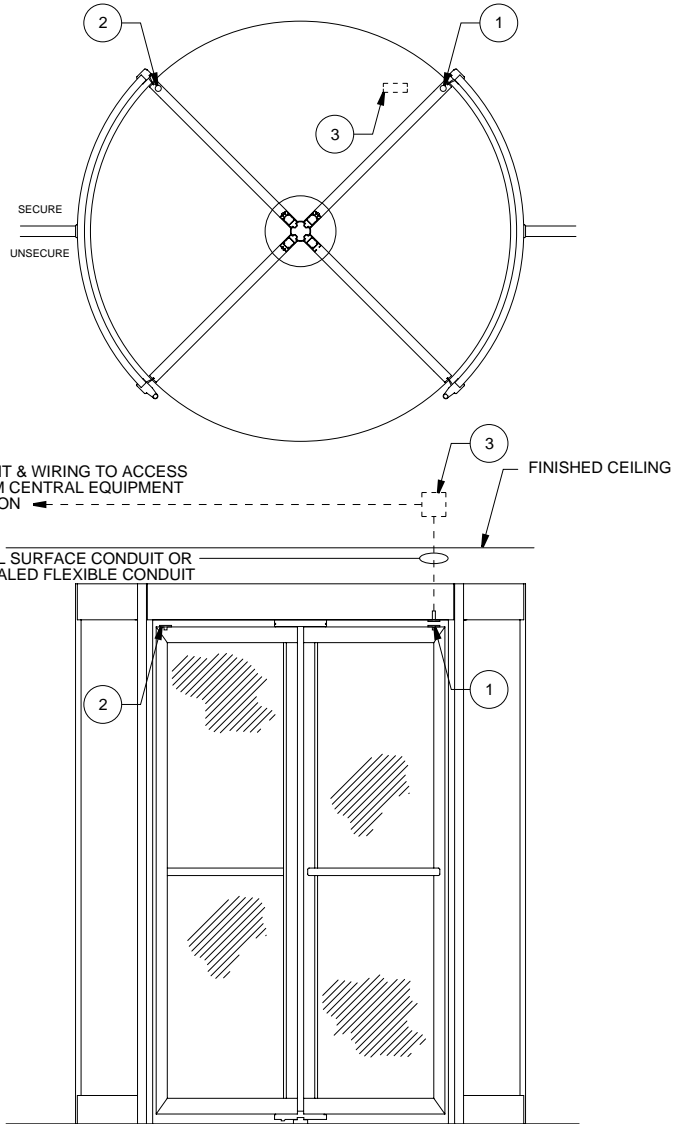
DRAWN BY: SDA

SCALE: NTS

REV: A

GENERAL NOTES:

1. BEST ENGINEERING JUDGEMENT SHALL BE UTILIZED IN APPLYING THESE DETAILS IN ORDER TO MEET THE DESIGN INTENT.
2. ALL DIMENSIONS ARE APPROXIMATE.
3. ALL CONDUIT SHALL BE SIZED IN ACCORDANCE WITH THE NATIONAL ELECTRICAL CODE AND LOCAL CODES.
4. JUNCTION BOXES AND CONDUIT SHALL BE MOUNTED OR FASTENED ON THE SECURE SIDE OF THE DOOR.
5. ALL CONDUIT AND WIRING TO BE INSTALLED PER DETAILS GS0.01 AND GS0.02.
6. SEE DETAIL ES0.01 FOR SPECIFIC DEVICE MODEL NUMBERS TO SUIT.
7. DOOR TO BE PROVIDED WITH PLACARD (SUPPLIED BY OTHERS PRIOR TO INSTALLTION) SHOWING DOOR NUMBER.



DEVICE	DEVICE DESCRIPTION	COMMENTS
1	DOOR POSITION SENSOR	
2	MAGNET FOR DOOR POSITION SENSOR	PROVIDE ONE MAGNET FOR EACH LOCKING DOOR
3	4" x 4" JUNCTION BOX	



DISTRICT OF COLUMBIA



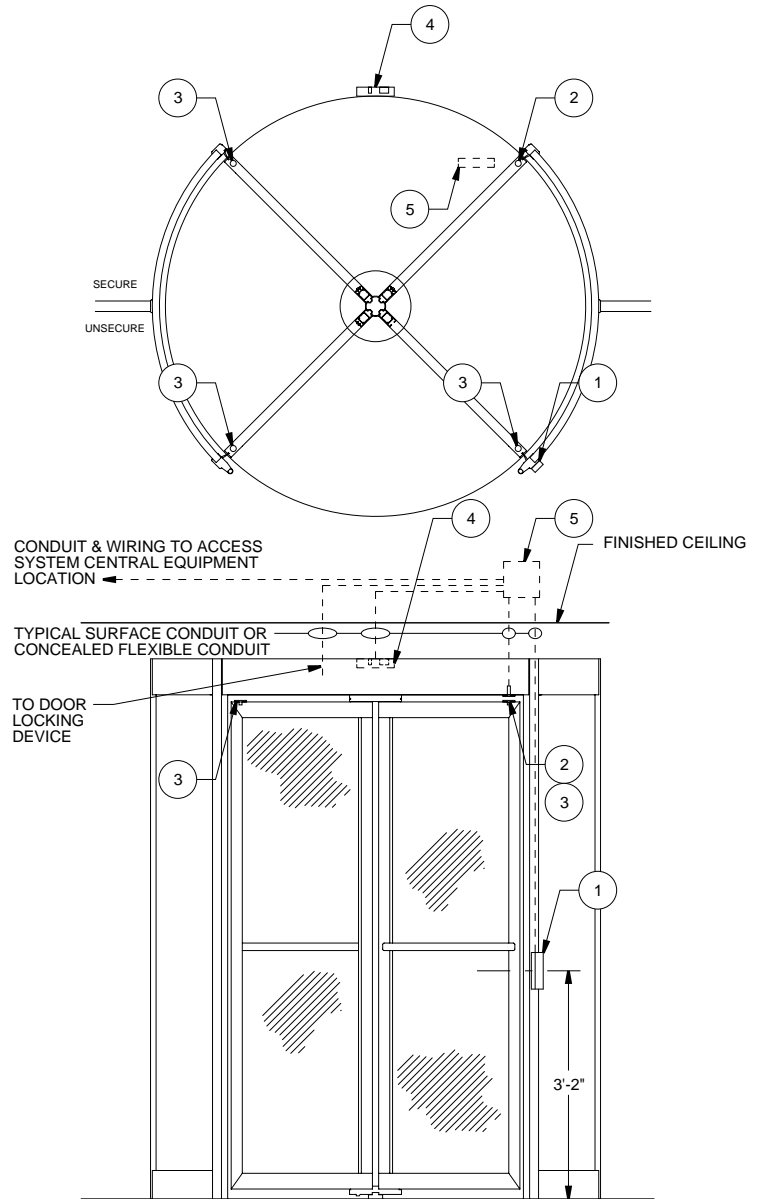
STANDARD SECURITY DETAIL

TITLE: **REVOLVING DOOR WITH DOOR POSITION SENSORS**

DATE: 7/30/2010	PROJ #: 912101	DWG #: DD4.01
DRAWN BY: SDA	SCALE: NTS	REV: A

GENERAL NOTES:

1. BEST ENGINEERING JUDGEMENT SHALL BE UTILIZED IN APPLYING THESE DETAILS IN ORDER TO MEET THE DESIGN INTENT.
2. ALL DIMENSIONS ARE APPROXIMATE.
3. ALL CONDUIT SHALL BE SIZED IN ACCORDANCE WITH THE NATIONAL ELECTRICAL CODE AND LOCAL CODES.
4. JUNCTION BOXES AND CONDUIT SHALL BE MOUNTED OR FASTENED ON THE SECURE SIDE OF THE DOOR.
5. ALL CONDUIT AND WIRING TO BE INSTALLED PER DETAILS GS0.01 AND GS0.02.
6. SEE DETAIL ES0.01 FOR SPECIFIC DEVICE MODEL NUMBERS TO SUIT.
7. DOOR TO BE PROVIDED WITH PLACARD (SUPPLIED BY OTHERS PRIOR TO INSTALLTION) SHOWING DOOR NUMBER.



DEVICE	DEVICE DESCRIPTION	COMMENTS
1	CARD READER	
2	DOOR POSITION SENSOR	
3	MAGNET FOR DOOR POSITION SENSOR	PROVIDE ONE MAGNET FOR EACH LOCKING DOOR
4	REX PIR	
5	6" x 6" JUNCTION BOX	USED ON ALL NEW INSTALLATIONS
5	DOOR INTERFACE UNIT	USED ON ALL GE CONVERSIONS



DISTRICT OF COLUMBIA



STANDARD SECURITY DETAIL

TITLE: **REVOLVING DOOR WITH CARD READER**

DATE: 7/30/2010

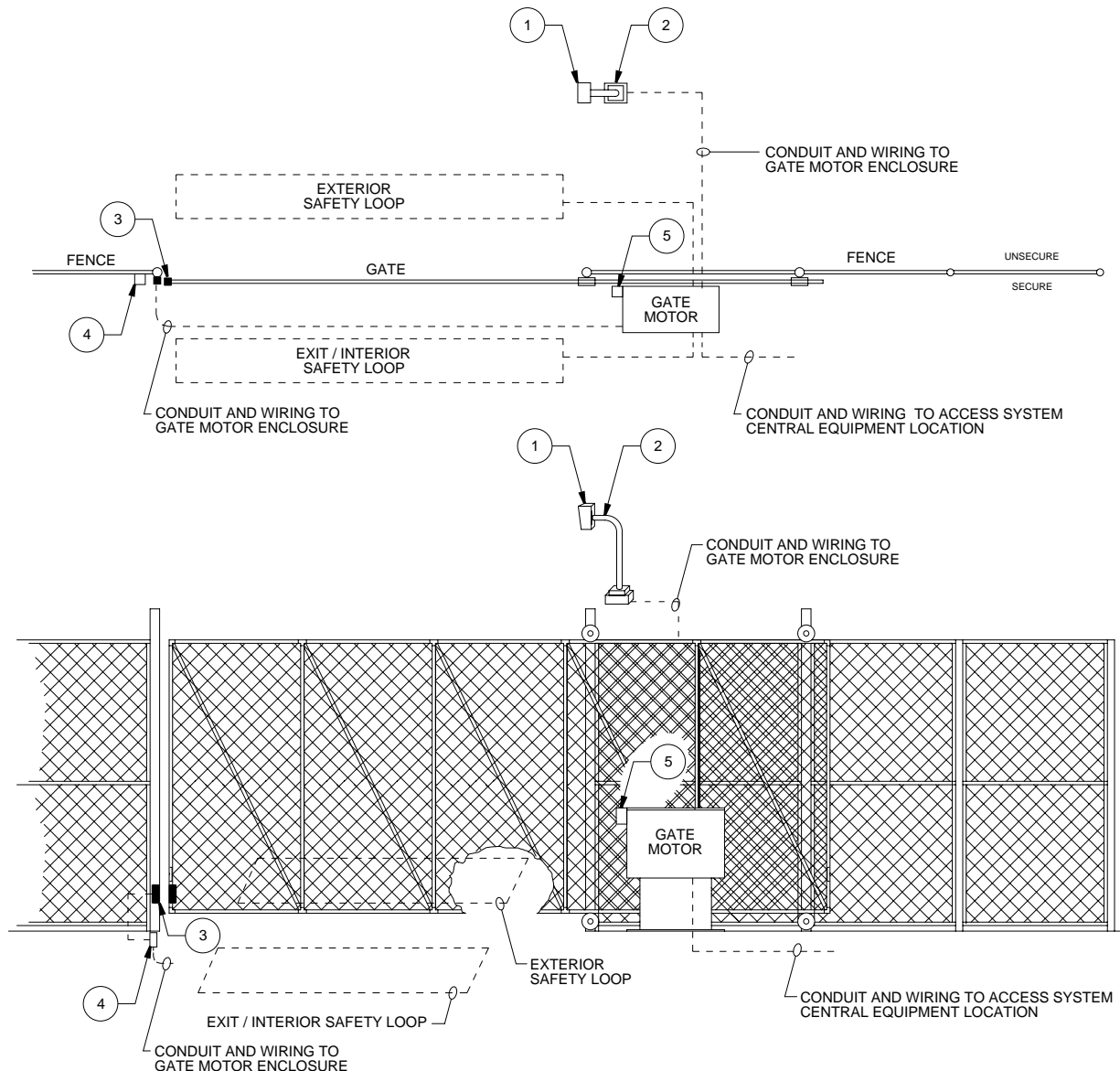
PROJ #: 912101

DWG #: **DD4.02**

DRAWN BY: SDA

SCALE: NTS

REV: A



GENERAL NOTES:

1. BEST ENGINEERING JUDGEMENT SHALL BE UTILIZED IN APPLYING THESE DETAILS IN ORDER TO MEET THE DESIGN INTENT.
2. ALL DIMENSIONS ARE APPROXIMATE.
3. ALL CONDUIT SHALL BE SIZED IN ACCORDANCE WITH THE NATIONAL ELECTRICAL CODE AND LOCAL CODES.
4. JUNCTION BOXES AND CONDUIT SHALL BE MOUNTED OR FASTENED ON THE SECURE SIDE OF THE FENCE.
5. ALL CONDUIT AND WIRING TO BE INSTALLED PER DETAILS GS0.01 AND GS0.02.
6. SEE DETAIL ES0.01 FOR SPECIFIC DEVICE MODEL NUMBERS TO SUIT.
7. REFER TO DETAIL ID1.05 FOR INTERFACE WIRING AND SEQUENCE OF OPERATION.
8. ANY GATE OPENER WITH AN RF CAPABILITY FOR GATE OPENING SHALL HAVE RECEIVER DISABLED PRIOR TO SHIPMENT.

DEVICE	DEVICE DESCRIPTION	COMMENTS
1	CARD READER	
2	READER GOOSENECK STAND	SEE DETAIL MD1.01
3	DOOR POSITION SENSOR (SURFACE)	MOUNT ON SECURE SIDE OF GATE WITH FENCE MOUNTING KIT
4	4" x 2" WEATHERPROOF JUNCTION BOX	
5	RADIO SHACK 276-330 LED IN 276-180 HOLDER ON SINGLE GANG WEATHERPROOF BOX	MOUNT WHERE VISIBLE FROM READER



DISTRICT OF COLUMBIA



STANDARD SECURITY DETAIL

TITLE:

MOTORIZED SINGLE ROLLING GATE

DATE: 7/30/2010

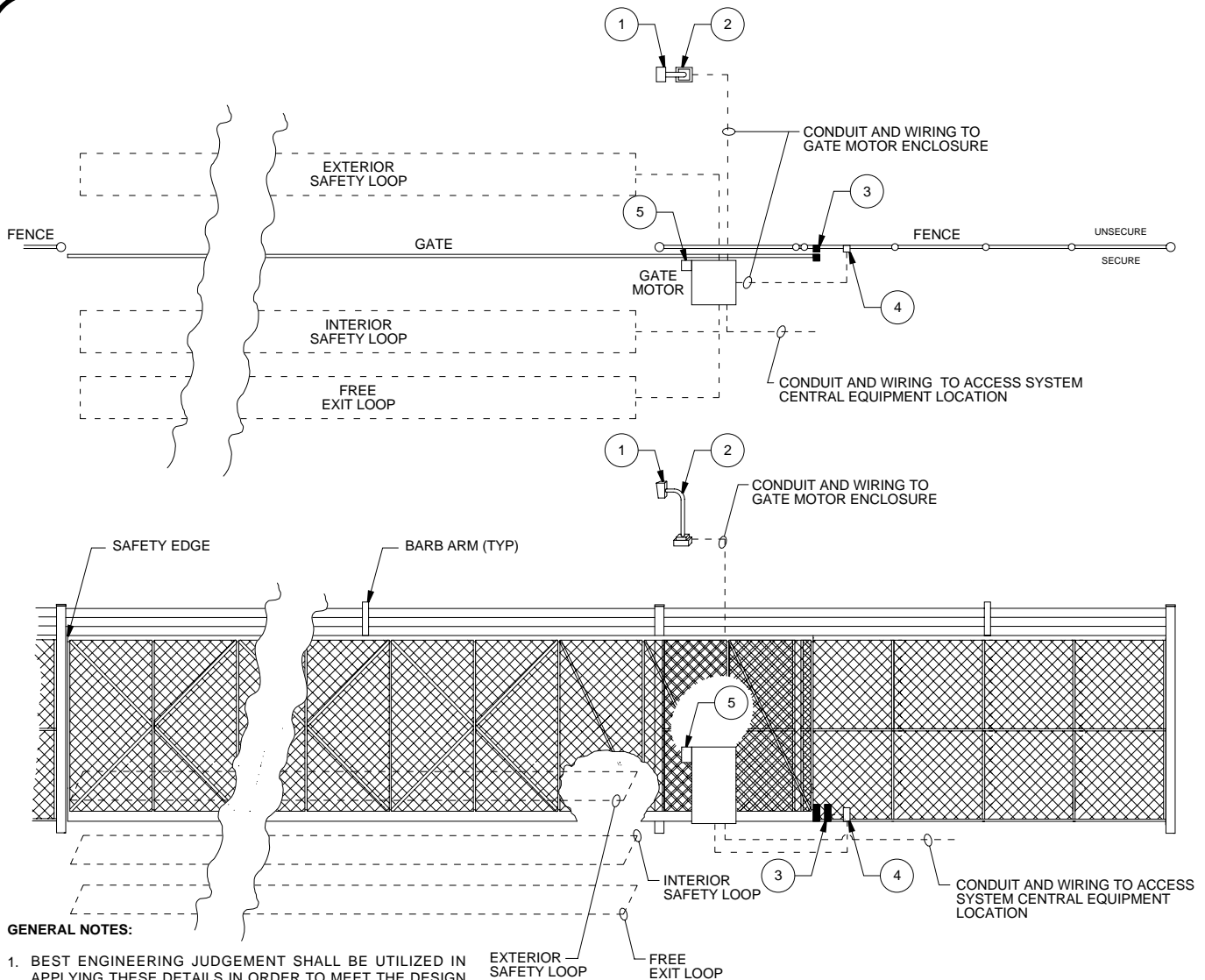
PROJ #: 912101

DWG #: **DD5.01**

DRAWN BY: SDA

SCALE: NTS

REV: A



GENERAL NOTES:

1. BEST ENGINEERING JUDGEMENT SHALL BE UTILIZED IN APPLYING THESE DETAILS IN ORDER TO MEET THE DESIGN INTENT.
2. ALL DIMENSIONS ARE APPROXIMATE.
3. ALL CONDUIT SHALL BE SIZED IN ACCORDANCE WITH THE NATIONAL ELECTRICAL CODE AND LOCAL CODES.
4. JUNCTION BOXES AND CONDUIT SHALL BE MOUNTED OR FASTENED ON THE SECURE SIDE OF THE FENCE.
5. ALL CONDUIT AND WIRING TO BE INSTALLED PER DETAILS GS0.01 AND GS0.02.
6. SEE DETAIL ES0.01 FOR SPECIFIC DEVICE MODEL NUMBERS TO SUIT.
7. ALL FITTINGS ARE TO BE PROVIDED FOR 6" OD POSTS.
8. BARB ARMS ARE TO BE PROVIDED.
9. FOR GATES THAT REQUIRE FABRICATION IN 2 PIECES, A 6" ALUMINUM BOTTOM MEMBER IS TO BE PROVIDED.
10. ANY GATE OPENER WITH AN RF CAPABILITY FOR GATE OPENING SHALL HAVE RECEIVER DISABLED PRIOR TO SHIPMENT.
11. REFER TO DETAIL ID1.05 FOR INTERFACE WIRING AND SEQUENCE OF OPERATION.

DEVICE	DEVICE DESCRIPTION	COMMENTS
1	CARD READER	
2	READER GOOSENECK STAND	SEE DETAIL MD1.01
3	DOOR POSITION SENSOR (SURFACE)	MOUNT ON SECURE SIDE OF GATE WITH FENCE MOUNTING KIT
4	4" x 2" WEATHERPROOF JUNCTION BOX	
5	RADIO SHACK 276-330 LED IN 276-180 HOLDER ON SINGLE GANG WEATHERPROOF BOX	MOUNT WHERE VISIBLE FROM READER



DISTRICT OF COLUMBIA



STANDARD SECURITY DETAIL

TITLE:

MOTORIZED WIDE ROLLING GATE

DATE: 7/30/2010

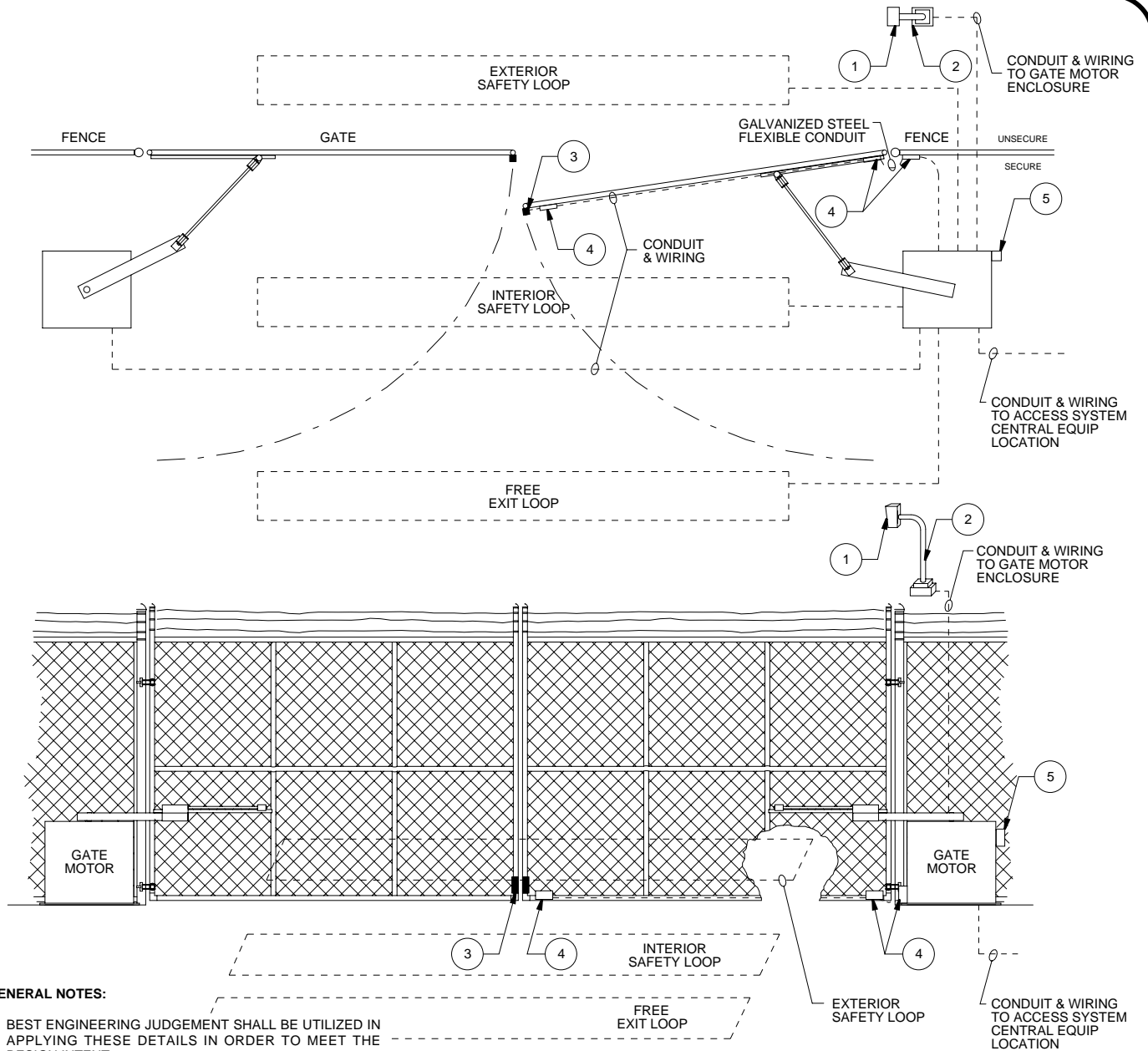
PROJ #: 912101

DWG #: **DD5.02**

DRAWN BY: SDA

SCALE: NTS

REV: A



GENERAL NOTES:

1. BEST ENGINEERING JUDGEMENT SHALL BE UTILIZED IN APPLYING THESE DETAILS IN ORDER TO MEET THE DESIGN INTENT.
2. ALL DIMENSIONS ARE APPROXIMATE.
3. ALL CONDUIT SHALL BE SIZED IN ACCORDANCE WITH THE NATIONAL ELECTRICAL CODE AND LOCAL CODES.
4. JUNCTION BOXES AND CONDUIT SHALL BE MOUNTED OR FASTENED ON THE SECURE SIDE OF THE FENCE.
5. ALL CONDUIT AND WIRING TO BE INSTALLED PER DETAILS GS0.01 AND GS0.02.
6. SEE DETAIL ES0.01 FOR SPECIFIC DEVICE MODEL NUMBERS TO SUIT.
7. REFER TO DETAIL ID1.05 FOR INTERFACE WIRING AND SEQUENCE OF OPERATION.
8. ANY GATE OPENER WITH AN RF CAPABILITY FOR GATE OPENING SHALL HAVE RECEIVER DISABLED PRIOR TO SHIPMENT.

DEVICE	DEVICE DESCRIPTION	COMMENTS
1	CARD READER	
2	READER GOOSENECK STAND	SEE DETAIL MD1.01
3	DOOR POSITION SENSOR (SURFACE)	MOUNT ON SECURE SIDE OF GATE WITH FENCE MOUNTING KIT
4	4" x 2" WEATHERPROOF JUNCTION BOX	
5	RADIO SHACK 276-330 LED IN 276-180 HOLDER ON SINGLE GANG WEATHERPROOF BOX	MOUNT WHERE VISIBLE FROM READER



www.securitydesign.pro

DISTRICT OF COLUMBIA



STANDARD SECURITY DETAIL

TITLE:

MOTORIZED DOUBLE SWING GATE

DATE: 7/30/2010

PROJ #: 912101

DWG #: **DD5.03**

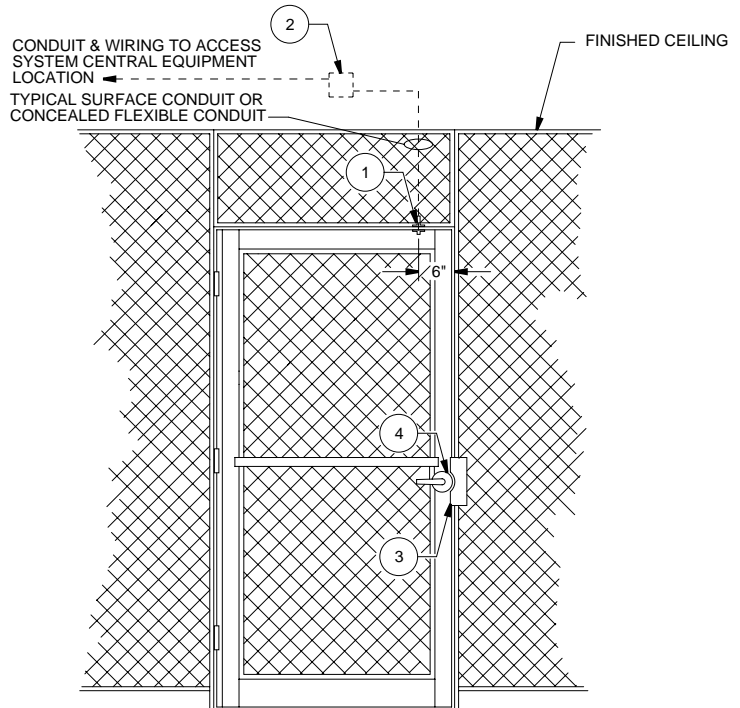
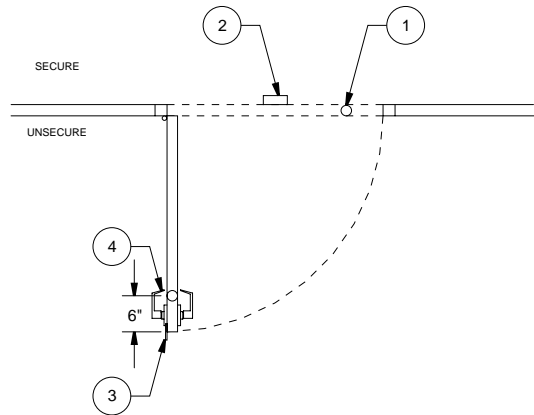
DRAWN BY: SDA

SCALE: NTS

REV: A

GENERAL NOTES:

1. BEST ENGINEERING JUDGEMENT SHALL BE UTILIZED IN APPLYING THESE DETAILS IN ORDER TO MEET THE DESIGN INTENT.
2. ALL DIMENSIONS ARE APPROXIMATE.
3. ALL CONDUIT SHALL BE SIZED IN ACCORDANCE WITH THE NATIONAL ELECTRICAL CODE AND LOCAL CODES.
4. JUNCTION BOXES AND CONDUIT SHALL BE MOUNTED OR FASTENED ON THE SECURE SIDE OF THE DOOR.
5. ALL CONDUIT AND WIRING TO BE INSTALLED PER DETAILS GS0.01 AND GS0.02.
6. SEE DETAIL ES0.01 FOR SPECIFIC DEVICE MODEL NUMBERS TO SUIT.
7. DOOR TO BE EQUIPPED WITH AUTOMATIC CLOSING DEVICE (SUPPLIED BY OTHERS PRIOR TO INSTALLATION) WITH ALL AUTO HOLD OPEN FUNCTIONS DISABLED.
8. DOOR TO BE PROVIDED WITH PLACARD (SUPPLIED BY OTHERS PRIOR TO INSTALLTION) SHOWING DOOR NUMBER.



DEVICE	DEVICE DESCRIPTION	COMMENTS
1	DOOR POSITION SENSOR	SELECT MODEL TO SUIT APPLICATION
2	4" x 4" JUNCTION BOX	
3	LATCH GUARD	OUTSWING DOOR ONLY
4	STOREROOM FUNCTION LOCK SET	SUPPLIED BY OTHERS PRIOR TO INSTALL



DISTRICT OF COLUMBIA



STANDARD SECURITY DETAIL

TITLE: **PERSONNEL GATE WITH DOOR POSITION SENSOR**

DATE: 7/30/2010

PROJ #: 912101

DWG #: **DD6.01**

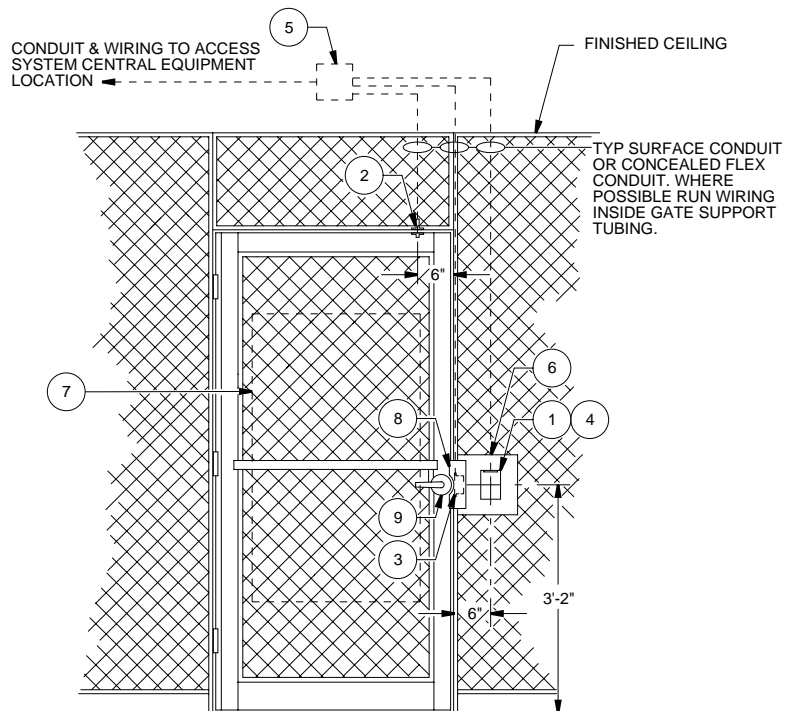
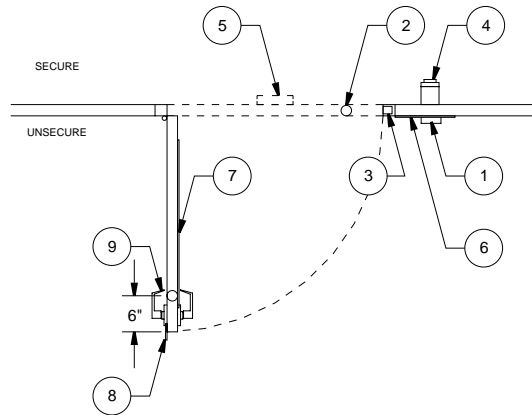
DRAWN BY: SDA

SCALE: NTS

REV: A

GENERAL NOTES:

1. BEST ENGINEERING JUDGEMENT SHALL BE UTILIZED IN APPLYING THESE DETAILS IN ORDER TO MEET THE DESIGN INTENT.
2. ALL DIMENSIONS ARE APPROXIMATE.
3. ALL CONDUIT SHALL BE SIZED IN ACCORDANCE WITH THE NATIONAL ELECTRICAL CODE AND LOCAL CODES.
4. JUNCTION BOXES AND CONDUIT SHALL BE MOUNTED OR FASTENED ON THE SECURE SIDE OF THE DOOR.
5. ALL CONDUIT AND WIRING TO BE INSTALLED PER DETAILS GS0.01 AND GS0.02.
6. SEE DETAIL ES0.01 FOR SPECIFIC DEVICE MODEL NUMBERS TO SUIT.
7. DOOR TO BE EQUIPPED WITH AUTOMATIC CLOSING DEVICE (SUPPLIED BY OTHERS PRIOR TO INSTALLATION) WITH ALL AUTO HOLD OPEN FUNCTIONS DISABLED.
8. DOOR TO BE PROVIDED WITH PLACARD (SUPPLIED BY OTHERS PRIOR TO INSTALLTION) SHOWING DOOR NUMBER.



DEVICE	DEVICE DESCRIPTION	COMMENTS
1	CARD READER	
2	DOOR POSITION SENSOR	SELECT MODEL TO SUIT APPLICATION
3	ELECTRIC STRIKE	
4	EXIT BUTTON	SELECT MODEL TO SUIT APPLICATION
5	6" x 6" JUNCTION BOX	USED ON ALL NEW INSTALLATIONS
5	DOOR INTERFACE UNIT	USED ON ALL GE CONVERSIONS
6	10" x 10" x 1/8" ALUMINUM PLATE	INSTALL ON OUTSIDE OF GATE TO ALLOW MOUNTING OF CARD READER
7	48" HIGH ALUMINUM PROTECTION PLATE MOUNTED INSIDE GATE	
8	LATCH GUARD	OUTSWING DOOR ONLY
9	STOREROOM FUNCTION LOCK SET	SUPPLIED BY OTHERS PRIOR TO INSTALL



DISTRICT OF COLUMBIA



STANDARD SECURITY DETAIL

TITLE: **PERSONNEL GATE WITH CARD READER**

DATE: 7/30/2010

PROJ #: 912101

DWG #: **DD6.02**

DRAWN BY: SDA

SCALE: NTS

REV: A

DEVICE DESCRIPTION	MAKE & MODEL	COMMENT
GE M5 SECURITY CONTROL PANEL & ENCLOSURE	GE M5PRMPP	FOR USE ON GE SYSTEMS ONLY - MUST BE AUTHORIZED BY PSPD
GE CPU BOARD	GE PXNPLUS CPU	FOR USE ON GE SYSTEMS ONLY
GE 8 READER BOARD	GE 8RP	FOR USE ON GE SYSTEMS ONLY
GE INPUT BOARD	GE 20 DI	FOR USE ON GE SYSTEMS ONLY - MAX TWO PER M5 ENCLOSURE
GE OUTPUT BOARD	GE 16 DOR	FOR USE ON GE SYSTEMS ONLY
GE M5 POWER SUPPLY	ALTRONIX AL400ULX	FOR USE WITH GE M5 PANELS ONLY
GE DOOR CONTROLLER	GE WIU-4	FOR USE ON GE SYSTEMS ONLY
GE DOOR CONTROLLER ENCLOSURE	GE MICRO/JUNCTION CABINET	FOR USE ON GE SYSTEMS ONLY
NSMS SECURITY CONTROL PNL ENCLOSURE C/W PWR SUPPLY	TBD	FOR USE ON NEW INSTALLATIONS ONLY
NSMS CPU BOARD	TBD	
NSMS MULTIPLEXER BOARD	TBD	
NSMS INPUT BOARD	TBD	
NSMS OUTPUT BOARD	TBD	
NSMS DOOR CONTROLLER (SINGLE)	TBD	FOR USE ON GE CONVERSIONS ONLY
NSMS DOOR CONTROLLER (DOUBLE)	TBD	FOR USE ON NEW INSTALLATIONS ONLY
INTRUSION DETECTION SYSTEM CONTROL PANEL	DIGITAL MONITORING PRODUCTS XR500	
INTRUSION DETECTION SYSTEM KEYPAD	DIGITAL MONITORING PRODUCTS 7063A	AQUALITE KEYPAD W/HID PROX READER
CARD READER (WALL SWITCH)	HID RP40 MULTI-CLASS (WIEGAND)	DEFAULT METHOD OF APPLICATION
CARD READER (MULLION)	HID RP15 MULTI-CLASS (WIEGAND)	USE ONLY WHEN RP40 WILL NOT FIT, MUST BE AUTHORIZED BY PSPD
FIPS 201 CARD READER	GE T-520-PIV	MUST BE REQUESTED BY PSPD, FOR ALL MPD & PSPD/MPD SHARED SITES
LOCK POWER SUPPLY - 24 VDC	ALTRONIX AL1024ULACMB	
ELECTRIC STRIKE	HES 4500 SERIES 24 VDC FAIL SECURE	
ELECTRIC LOCK	SELECT MODEL TO SUIT APPLICATION	SUPPLY WITH BUILT-IN DOOR POSITION SENSOR
POWER TRANSFER DEVICE	VON DUPRIN EPT-2	
POWER TRANSFER CORD	ALARM LOCK 271	MUST BE AUTHORIZED BY PSPD
ELECTRIFIED PANIC BAR	VON DUPRIN 99 SERIES	SUPPLY WITH BUILT-IN DOOR POSITION SENSOR
ELECTRIFIED PANIC BAR PWR SUPPLY	VON DUPRIN PS873	
ELECTROMAGNETIC LOCK	RUTHERFORD CONTROLS 8371 & 8372	PROVIDE ALL REQ'D MOUNTING ACCESSORIES PER FIELD CONDITIONS SUPPLY WITH BUILT-IN DOOR POSITION SENSOR
ELECTROMAGNETIC LOCK (DELAYED EGRESS)	SCHLAGE LOCKNETICS 101-SERIES	PROVIDE SEPARATE RESET/BYPASS KEYSWITCH AT 48" AFF/SS FINISH SUPPLY WITH BUILT-IN DOOR POSITION SENSOR
DOOR POSITION SENSOR (RECESSED)	GE SENTROL 1076CW-M	DEFAULT METHOD OF APPLICATION
DOOR POSITION SENSOR (SURFACE)	GE SENTROL 2507A	MUST BE AUTHORIZED BY PSPD
DOOR POSITION SENSOR (OHD)	GE SENTROL 2205A	
REX PIR	BOSCH DS150i or DS151i	SELECT COLOR TO SUIT AREA
EMERGENCY EXIT BUTTON	SECURITRON EEB2 OR EEB3N	USE EEB3N ONLY IF EEB2 CANNOT FIT
EMERGENCY EXIT ALARM	DSI ES4200-K3-T0	
TEMPERATURE SENSOR	WINLAND EA200	REPLACES DISCONTINUED WINLAND DTA-1
SECURITY HINGE	SELECT MODEL TO SUIT APPLICATION	
LATCH GUARD	SELECT MODEL TO SUIT APPLICATION	
ASTRAGAL	SELECT MODEL TO SUIT APPLICATION	
READER GOOSENECK STAND	FEDERAL APD 92-8900 SERIES	
DURESS BUTTON (CONCEALED)	HONEYWELL ADEMCO 270R	
EMERGENCY BUTTON	SAFETY TECHNOLOGY INTERNATIONAL TI SS-2411	CUSTOM LABEL TO READ "EMERGENCY"
GLASS BREAK DETECTOR	HONEYWELL FG1625T	
MOTION DETECTOR	GE SECURITY AP450, AP633, AND AP669	SELECT MODEL TO SUIT APPLICATION
TURNSTILE	GUNNEBO	MODEL VARIES BY LOCATION
INDOOR/OUTDOOR FIXED CCTV CAMERA	PELCO IS110 AND IS150 SERIES	SELECT MODEL TO SUIT APPLICATION
EXTERIOR FIXED CCTV CAMERA	PELCO DF5 SERIES	USE IN EXPOSED LOCATION
EXTERIOR PTZ CAMERA	PELCO SPECTRA IV SERIES	MOST ARE III SERIES, IV SERIES STARTED RECENTLY
RACK MOUNT CCTV MONITOR	AMERICAN DYNAMICS ADMNLC20RK	
MANUAL CCTV SWITCHER (18-POSITION)	PELCO MS518DT	
CAMERA POWER SUPPLY	PELCO MCS16-10B	
EXTERIOR PTZ CAMERA P/S (EXTERIOR)	PELCO WCS SERIES	
EXTERIOR PTZ CAMERA P/S (INTERIOR)	PELCO MCS SERIES	
DIGITAL VIDEO RECORDER	GE DVMR _e 16CTII-1200	
DIGITAL VIDEO RECORDER RACK MOUNT	GE CBR-RK6	
CCTV EQUIPMENT RACK	WINSTED VR _x SERIES	VENTED TOP & SIDE PANELS, FRONT & REAR DOORS
UPS FOR DVR'S	APC BR1500	ONE PER TWO DVR UNITS
16-CHANNEL MULTIPLEXER	PELCO MX4016CS	
KEYBOARD WITH JOYSTICK	PELCO KBD4000	
FIBER OPTIC TRANSMITTER	GE IFS VT6010-R3	
FIBER OPTIC RECEIVER (4-CHANNEL CARD)	GE IFS VR6010-R3	
FIBER OPTIC RACK CAGE	GE IFS R3	
VIDEO INTERCOM - MASTER STATION	AIPHONE KB-3MRD	USE AIPHONE BRAND CABLE
VIDEO INTERCOM - SUBMASTER STATION	AIPHONE KB-3HRD	USE AIPHONE BRAND CABLE
VIDEO INTERCOM - DESK STAND	AIPHONE MCW-S/A	ONE PER MASTER/SUB STATION
VIDEO INTERCOM - DOOR STATION	AIPHONE KB-DAR	
VIDEO INTERCOM - 30 DEGREE ANGLE MOUNT	AIPHONE KAW-D	ONE PER DOOR STATION
VIDEO INTERCOM - SELECTIVE DOOR RELAY UNIT	AIPHONE RY-3DL	



DISTRICT OF COLUMBIA



STANDARD SECURITY DETAIL

TITLE:

STANDARD EQUIPMENT LIST

DATE: 7/30/2010

PROJ #: 912101

DWG #: **ES0.01**

DRAWN BY: SDA

SCALE: NTS

REV: A

GENERAL NOTES:

1. ALL WIRING FOR ACCESS CONTROL DEVICES SHALL BE RUN DIRECTLY TO THE CONTROL PANEL LOCATION FOR ANY NEW READER DOOR ON EITHER SYSTEM. DOOR CONTROLLER OR SIMILAR MODULES SHALL NOT BE LOCATED AT OR NEAR THE DOOR.
2. ALL CAMERA CABLING SHALL BE THROUGH THE MOUNT. THERE SHALL BE NO EXPOSED CABLES.
3. POWER FOR ALL ELECTRIC LOCKING DEVICES SHALL BE 24 VDC.
4. TAMPERPROOF SCREWS SHALL BE USED TO SECURE ALL JUNCTION BOX COVERS, BACK BOXES AND SECURITY DEVICES LESS THAN 10' AFF. THE APPROVED STANDARD IS #10-32 X 1" SECURITY MACHINE SCREW, TORX PIN DRIVE, 18-8 STAINLESS STEEL PLAIN FINISH, TAMPER RESISTANT, FULL THREAD.
5. PSPD APPROVAL SHALL BE REQUIRED BEFORE SURFACE MOUNTED CONTACTS CAN BE USED. WHEN USED, METAL STRAPS AT NO GREATER THAN 4" O.C. SHALL BE USED TO SECURE THE EXPOSED ARMORED CABLE.
6. LATCH GUARDS SHALL BE APPROVED FOR USE WITH THE INSTALLED DOOR HARDWARE AND MOUNTED TO THE DOOR WITH CARRIAGE TYPE BOLTS THAT EXTEND THROUGH THE DOOR. THE BOLT HEAD SHALL BE LOCATED ON THE SAME SIDE OF THE DOOR AS THE LATCH GUARD.
7. ALL COMPONENTS WITHIN EQUIPMENT ENCLOSURES, INCLUDING TERMINAL STRIPS SHALL BE DIN RAIL MOUNTED OR MOUNTED USING SCREWS OR BOLTS AND STANDOFFS. NO COMPONENTS (EXCEPT BATTERIES) SHALL BE LEFT UNMOUNTED IN THE BOTTOM OF AN ENCLOSURE OR MOUNTED USING DOUBLE SIDED TAPE OR ADHESIVE OF ANY KIND.
8. CONTROL PANELS SHALL BE MOUNTED ON 3/4" FIREPROOF/FLAME RETARDENT PLYWOOD PAINTED BLACK AND SIZED FOR THE EQUIPMENT.
9. PREVENT ALL UNUSED CONDUCTORS FROM INTRODUCING INTERFERENCE.
10. ALL WIRING SHALL BE CLEARLY LABELLED THROUGH THE USE OF MARKING PRODUCTS SUCH AS BRADY, PANDUIT OR EQUAL. IDENTIFICATION LABELS SHALL BE PLACED WITHIN 4" OF ALL TERMINATION POINTS AND SHALL BE VISIBLE WITHOUT THE NEED TO UNBUNDLE ANY CABLES.



DISTRICT OF COLUMBIA



STANDARD SECURITY DETAIL

TITLE:

GENERAL STANDARDS

DATE:
7/30/2010

PROJ #:
912101

DWG #:
GS0.01

DRAWN BY:
SDA

SCALE:
NTS

REV:
A

CABLE & CONDUIT STANDARDS:

1. ALL CABLE INSTALLATION SHALL CONFORM TO NATIONAL AND LOCAL ELECTRICAL CODES.
2. ALL CABLE SHALL BE PLENUM RATED.
3. AT A MINIMUM, 18 GAUGE SHALL BE USED FOR ALL POWER CONNECTIONS AND 22 GAUGE SHALL BE USED FOR ALL CIRCUIT CONNECTIONS.
4. CABLES SHALL NOT BE SPLICED. ALL CONNECTIONS SHALL BE MADE USING APPROVED CONNECTORS OR TERMINAL STRIPS.
5. ALL CABLING SHALL BE RUN ABOVE FINISHED CEILINGS OR CONCEALED WITHIN WALLS.
6. ALL CABLE INSTALLED WITHIN WALLS SHALL BE INSTALLED WITHIN FLEXIBLE METALLIC CONDUIT.
7. IN THE LOADING DOCK, ELECTRICAL ROOMS, MECHANICAL ROOMS, ELEVATOR MACHINE ROOMS, FIRE STAIRS, IDF CLOSETS, AND OTHER SUCH BACK-ROOM "INDUSTRIAL" SPACES WHERE CABLING IS NECESSARILY EXPOSED, ALL CABLING LESS THAN 10' AFF SHALL BE COMPLETELY ENCLOSED IN EMT CONDUIT.
8. IN FINISHED AREAS WHERE CABLING CANNOT BE CONCEALED WITHIN WALLS OR RUN ABOVE A FINISHED CEILING, ALL CABLING SHALL BE COMPLETELY ENCLOSED IN A METAL WIRE MOLD TYPE PRODUCT ANCHORED TO WALL WITH SCREWS AND COLORED TO MATCH THE SUBSTRATE.
9. EXPOSED CABLE RUNS SHALL CONFORM TO THE FOLLOWING:
 - a. CABLES SHALL NOT BE TY WRAPPED OR ATTACHED TO EXISTING CONDUIT PIPES OR CABLES
 - b. CABLES SHALL AVOID ALL SOURCES OF ELECTROMAGNETIC INTERFERENCE SUCH AS HIGH VOLTAGE CABLES, FANS AND MOTORS.
 - c. CABLES SHALL BE ATTACHED TO "D" RINGS MOUNTED NOT GREATER THAN 5 FEET APART.
 - d. CABLES SHALL BE NEATLY RUN PERPENDICULAR AND PARALLEL TO BUILDING LINES WITH BENDS FORMING 90-DEGREE ANGLES.
 - e. PROPER CONNECTORS, JUNCTION BOXES AND BUSHINGS SHALL BE USED WHEN TRANSITIONING BETWEEN EXPOSED CABLE AND CONDUIT.
10. CONDUIT SHALL BE INSTALLED WITH PROPER FITTINGS, STRAPS AND HANGERS.
11. ALL CONDUIT AND CABLING TO ANY DEVICE MOUNTED ON THE EXTERIOR OF A BUILDING SHALL BE INSTALLED WITHIN THE BUILDING INTERIOR AND PENETRATE THE EXTERIOR WALL AT THE DEVICE.
12. WHERE EXTERIOR CONDUIT IS NECESSARY, IT SHALL BE INSTALLED AT LEAST 12' ABOVE FINISHED GRADE. WEATHERPROOF FITTINGS AND GASKETS SHALL BE USED AND ALL COVERS AND DEVICES SHALL BE INSTALLED WITH STAINLESS STEEL TAMPER PROOF SCREWS.
13. ALL EXTERIOR CAMERAS AND ALL CAMERA CABLE RUNS GREATER THAN 2,500 FEET SHALL UTILIZE FIBER OPTIC CABLE.
14. CAT 6 CABLE IS THE PREFERRED CABLE FOR ALL OTHER CAMERA CABLING.
15. WHEN NECESSARY COAXIAL CABLE:
 - a. SHALL CONTAIN A JACKET APPROPRIATE FOR THE SPECIFIC ENVIRONMENT IN WHICH IT IS INSTALLED.
 - b. SHIELDING SHALL BE 100% COPPER WITH A MINIMUM EFFICIENCY RATING OF 95%. THE DIELECTRIC SHALL HAVE AN IMPEDANCE OF 95 OHMS.
 - c. THE CENTER CORE OF COAXIAL SHALL BE 100% SOLID COPPER EXCEPT WHERE MOVEMENT IS EXPECTED IN WHICH CASE THE CORE SHALL BE STRANDED.
 - d. COAXIAL CABLE MAXIMUM DISTANCES:
 - i. RG59/U.....750 FEET
 - ii. RG6/U.....1,200 FEET
 - iii. RG11/U...2,500 FEET
16. ALL 110V SUPPLY SHALL BE DELIVERED TO EACH REQUIRED CABINET IN RIGID CONDUIT AND SHALL BE ON CIRCUITS DEDICATED TO SECURITY EQUIPMENT AND BACKED-UP BY EMERGENCY GENERATOR. SECURITY EQUIPMENT SHALL NOT BE POWERED FROM EXPOSED 110V RECEPTACLES.



DISTRICT OF COLUMBIA



STANDARD SECURITY DETAIL

TITLE:

CABLE & CONDUIT STANDARDS

DATE:
7/30/2010

PROJ #:
912101

DWG #:
GS0.02

DRAWN BY:
SDA

SCALE:
NTS

REV:
A

DEVICE DESCRIPTORS

SECURITY COMPONENTS, SENSORS AND CONTROLLED DEVICES ARE TO BE NAMED BASED ON THE LOCATION OF THE DEVICE. CCTV CAMERAS ARE TO BE NAMED BASED ON THEIR LOCATION, NOT THEIR FIELD OF VIEW. DESCRIPTORS FOR EVERY DEVICE SHALL BE COMPOSED AS FOLLOWS: PANEL NUMBER - BUILDING CODE - DEVICE TYPE - DEVICE NUMBER - FLOOR - LOCATION

PANEL NUMBER

THE CONTRACTOR SHALL MAINTAIN A MASTER LIST OF PANEL NUMBERS AND ASSIGN NUMBERS IN SEQUENCE AS FOLLOWS:

- 000 TO 299 SHALL REFER TO MICRO5 PANELS UNTIL CONVERSION IS COMPLETE
- 300 TO 899 SHALL REFER TO PANELS ON THE NEW SYSTEM
- 800 TO 999 SHALL REFER TO DVR'S

BUILDING CODE

BUILDING CODE	BUILDING
ACC	PSPD HQ @ DCGH ACC BUILDING
CFS66TH	CHILD FAMILY & SERVICES ADMINISTRATION ON 6TH STREET
CFSALP	CHILD FAMILY & SERVICES ADMINISTRATION IN L'ENFANT PLAZA
DCGH8	STD CLINIC AT DCGH BUILDING 8
DCRA	DCRA AT DCGH
DCREC	DISTRICT OF COLUMBIA RECORDS CENTER
DDS	DEPARTMENT OF DISABILITY SERVICES
DHSMMLK	DEPARTMENT OF HUMAN SERVICES ON MLK JR. AVENUE
DHST	DEPARTMENT OF HUMAN SERVICES ON TAYLOR STREET
DMHH	DEPARTMENT OF MENTAL HEALTH ON H STREET
DMHU	DEPARTMENT OF MENTAL HEALTH ON U STREET
DMVBW	DEPARTMENT OF MOTOR VEHICLES ON BRENTWOOD ROAD
DMVC	DEPARTMENT OF MOTOR VEHICLES ON C STREET
DMVGP	DEPARTMENT OF MOTOR VEHICLES AT 3222 M STREET NW
DMVM	DEPARTMENT OF MOTOR VEHICLES 95 M STREET SW
DMVPB	DEPARTMENT OF MOTOR VEHICLES ON PENNSYLVANIA AVE.
DOES609	DEPARTMENT OF EMPLOYEE SERVICES AT 609 H STREET
DOES625	DEPARTMENT OF EMPLOYEE SERVICES AT 625 H STREET
DOHC	DEPARTMENT OF HEALTH ON C STREET
DOHPLH	DEPARTMENT OF HEALTH PUBLIC HEALTH LAB ANNEX
DOHTB	DEPARTMENT OF HEALTH TB CLINIC AT DCGH
EMKT	EASTERN MARKET
HSEMA	DHS & HSEMA WAREHOUSE ON VILLAGE LANE
OCFO	OFFICE OF THE CHIEF FINANCIAL OFFICER
OCME	OFFICE OF THE CHIEF MEDICAL EXAMINER
ODC1	OCTO DATA CENTER #1
ODC2	OCTO DATA CENTER #2
OJS	ONE JUDICIARY SQUARE
OSSE	OSSE AT VAN NESS
PBMC	PENN BRANCH MUNICIPAL CENTER
REV	REEVES CENTER
WIL	JOHN WILSON BUILDING
UCC	UNIFIED COMMUNICATIONS CENTER

DEVICE TYPE & NUMBER

DEVICE TYPE	DESCRIPTION	DEVICE NUMBER	COMMENT
R	CARD READER	01 TO 16	NUMBERS SHALL BE ASSIGNED IN SEQUENCE FOR THE PANEL
I	INPUT OR MONITORED POINT	01 TO 16	NUMBERS SHALL BE ASSIGNED IN SEQUENCE FOR THE PANEL
O	OUTPUT OR RELAY CONTROLLED DEVICE	01 TO 16	NUMBERS SHALL BE ASSIGNED IN SEQUENCE FOR THE PANEL
M	MICRO5 PANEL	N/A	NO DEVICE NUMBER - ALREADY LISTED
TBD	NAME FOR PANEL ON NEW SYSTEM	N/A	NO DEVICE NUMBER - ALREADY LISTED
D	DIGITAL VIDEO RECORDER	N/A	NO DEVICE NUMBER - ALREADY LISTED
C	FIXED CCTV CAMERA	01 TO 16	NUMBERS SHALL BE ASSIGNED IN SEQUENCE FOR THE PANEL
P	PTZ CCTV CAMERA	01 TO 16	NUMBERS SHALL BE ASSIGNED IN SEQUENCE FOR THE PANEL

FLOOR

SHALL BE REPRESENTED BY THE FLOOR NUMBER FOLLOWED BY "F". EXAMPLES PLUS EXCEPTIONS ARE:

FLOOR	DESCRIPTION
AT	ATTIC
PH	PENTHOUSE
24F	24TH FLOOR
16F	16TH FLOOR
8F	8TH FLOOR
2F	2ND FLOOR
MZ	MEZZANINE
1F	FIRST FLOOR IF THERE IS ALSO A GROUND FLOOR/MAIN FLOOR
GF	GROUND FLOOR, MAIN FLOOR OR 1ST FLOOR
B	BASEMENT
B1	FIRST SUB-BASEMENT
B2	SECOND SUB-BASEMENT
P4	PARKING LEVEL 4

LOCATION

SHALL BE DESCRIBED TO THE GREATEST EXTENT POSSIBLE USING THE ABBREVIATIONS LISTED BELOW. WHERE APPROPRIATE, THE LOCATION SHALL START WITH A FURTHER DEFINITION OF THE DEVICE TYPE.

ABBREV.	LOCATION REFERENCE
@	AT
ASC	ABOVE SUSPENDED CEILING
ADR	ARM/DISARM READER (INCLUDE WHERE APPROPRIATE)
BRF	BELOW RAISED FLOOR
CAF	CAFETERIA
CRNR	CORNER
COR	CORRIDOR OR HALLWAY
CONF	CONFERENCE, MEETING
CTR	CENTER
DA	DURESS ALARM (INCLUDE WHERE APPROPRIATE)
DR	DOOR
E	EAST
EE	EMERGENCY EXIT
ELEC	ELECTRIC ROOM OR CLOSET
ELEV	ELEVATOR
ENT	ENTRANCE
ENTY	ENTRY
EXIT	EXIT
EXT	EXTERIOR
FRONT	FRONT
FRT	FREIGHT
GAR	GARAGE
GB	GLASS BREAK (INCLUDE WHERE APPROPRIATE)
HALL	ANY LARGE INTERIOR AREA
HCR	HALL CALL READER (INCLUDE WHERE APPROPRIATE)
HQ	HEADQUARTERS
ICR	IN ELEVATOR CAB READER
INT	INTERIOR
KIT	KITCHEN
LAN	LAN OR IDF ROOM OR CLOSET
L	LEFT
LBY	LOBBY
LD	LOADING DOCK
LGE	LARGE
LWR	LOWER
MECH	MECHANICAL ROOM OR CLOSET
MRR	MEN'S RESTROOM
MS	MOTION SENSOR (INCLUDE WHERE APPROPRIATE)
N	NORTH
OFC	OFFICE
OHD	OVERHEAD DOOR
PROM	PROMENADE
PVT	PRIVATE
PUB	PUBLIC
R	RIGHT
REAR	REAR
REC	RECEPTION
RM	ROOM
S	SOUTH
SD	SECURITY DESK
SEC	SECURITY
SML	SMALL
STE	SUITE
STOR	STORAGE
STR	STAIR
TELCO	TELEPHONE ROOM OR CLOSET
TS	TEMPERATURE SENSOR (INCLUDE WHERE APPROPRIATE)
UPR	UPPER
W	WEST
WH	WAREHOUSE
WRR	WOMEN'S RESTROOM



DISTRICT OF COLUMBIA



STANDARD SECURITY DETAIL

TITLE:

DEVICE DESCRIPTORS

DATE:
7/30/2010

PROJ #:
912101

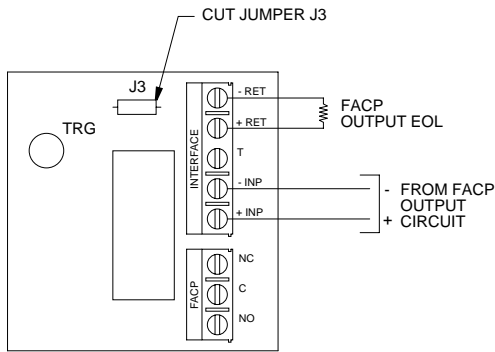
DWG #:
GS0.03

DRAWN BY:
SDA

SCALE:
NTS

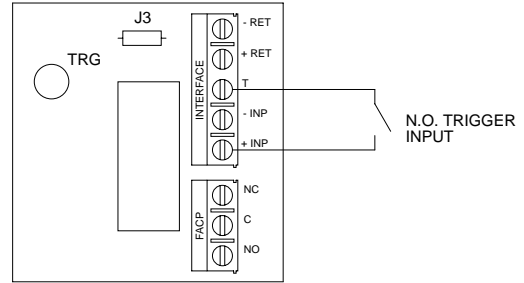
REV:
A

POLARITY REVERSAL INPUT FROM FACP SIGNALING CIRCUIT OUTPUT (POLARITY IS REFERENCED IN ALARM CONDITION)



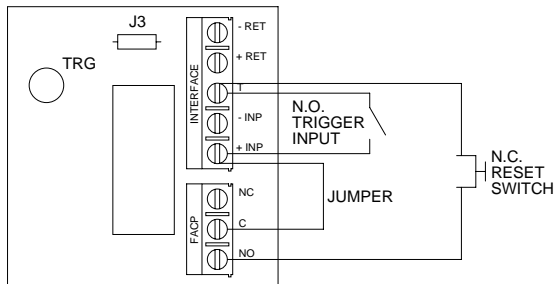
OPTION 1

NORMALLY OPEN - NON-LATCHING FACP TRIGGER INPUT



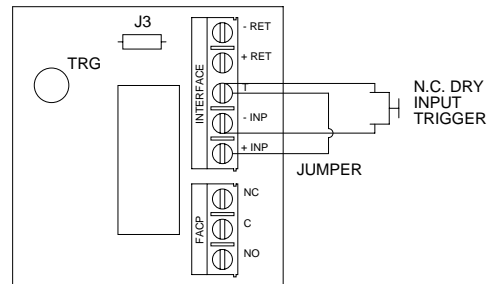
OPTION 2

NORMALLY OPEN FACP LATCHING TRIGGER INPUT WITH RESET (THIS OUTPUT HAS NOT BEEN EVALUATED BY UL)



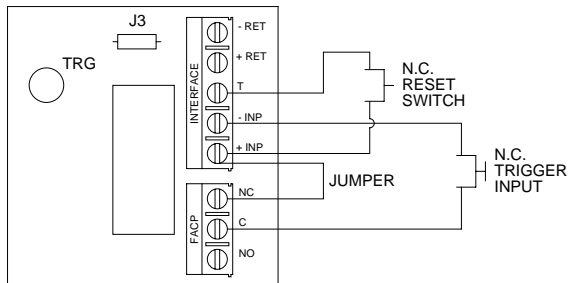
OPTION 3

NORMALLY CLOSED - NON-LATCHING FACP TRIGGER INPUT



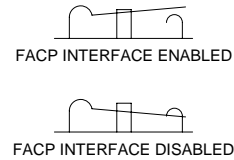
OPTION 4

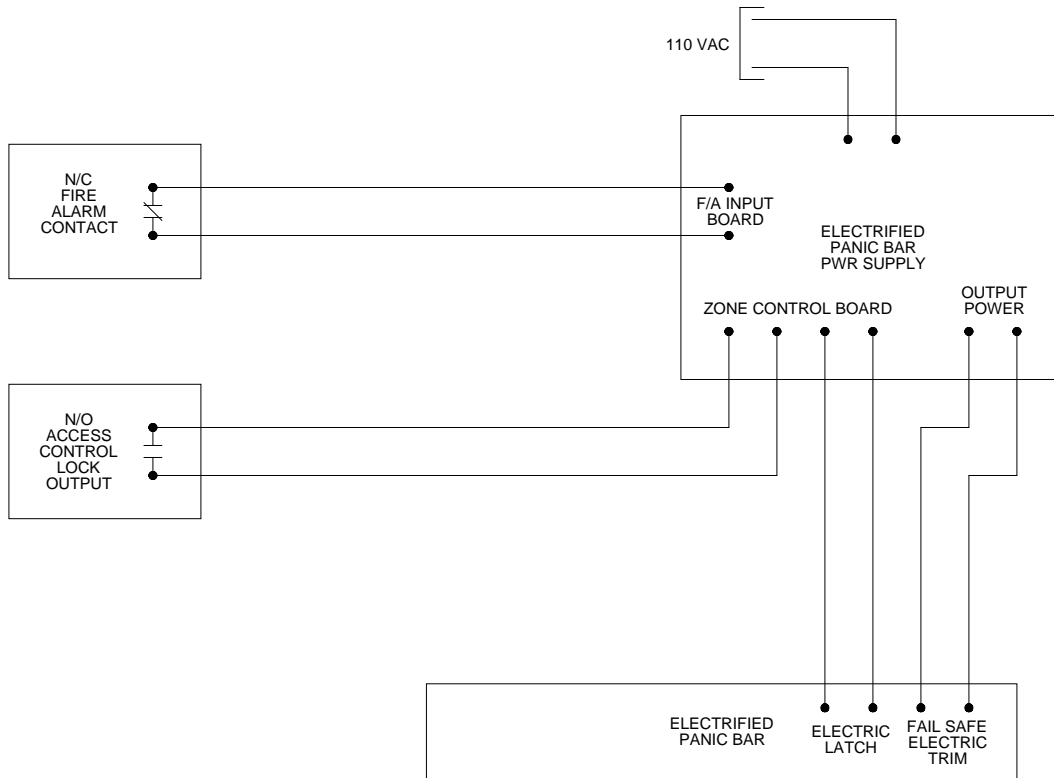
NORMALLY CLOSED - LATCHING FACP TRIGGER INPUT WITH RESET (THIS OUTPUT HAS NOT BEEN EVALUATED BY UL)



OPTION 5

CONFIGURE SWITCH (SW1-SW8) AS SHOWN FOR EACH DOOR TO UNLOCK BY FACP





GENERAL NOTES:

1. BEST ENGINEERING JUDGEMENT SHALL BE UTILIZED IN APPLYING THESE DETAILS IN ORDER TO MEET THE DESIGN INTENT.
2. ALL DIMENSIONS ARE APPROXIMATE.
3. ALL CONDUIT SHALL BE SIZED IN ACCORDANCE WITH THE NATIONAL ELECTRICAL CODE AND LOCAL CODES.
4. JUNCTION BOXES AND CONDUIT SHALL BE MOUNTED OR FASTENED ON THE SECURE SIDE OF THE DOOR.
5. ALL CONDUIT AND WIRING TO BE INSTALLED PER DETAILS GS0.01 AND GS0.02.
6. ALL 110VAC SUPPLY TO BE INSTALLED BY OTHERS IN ACCORDANCE WITH DETAIL GS0.02.



www.securitydesign.pro

DISTRICT OF COLUMBIA



STANDARD SECURITY DETAIL

TITLE:

**FIRE ALARM SYSTEM
PANIC BAR DOOR RELEASE**

DATE:
7/30/2010

PROJ #:
912101

DWG #:
ID1.03

DRAWN BY:
SDA

SCALE:
NTS

REV:
A

SEQUENCE OF OPERATION:

ENTRANCE:

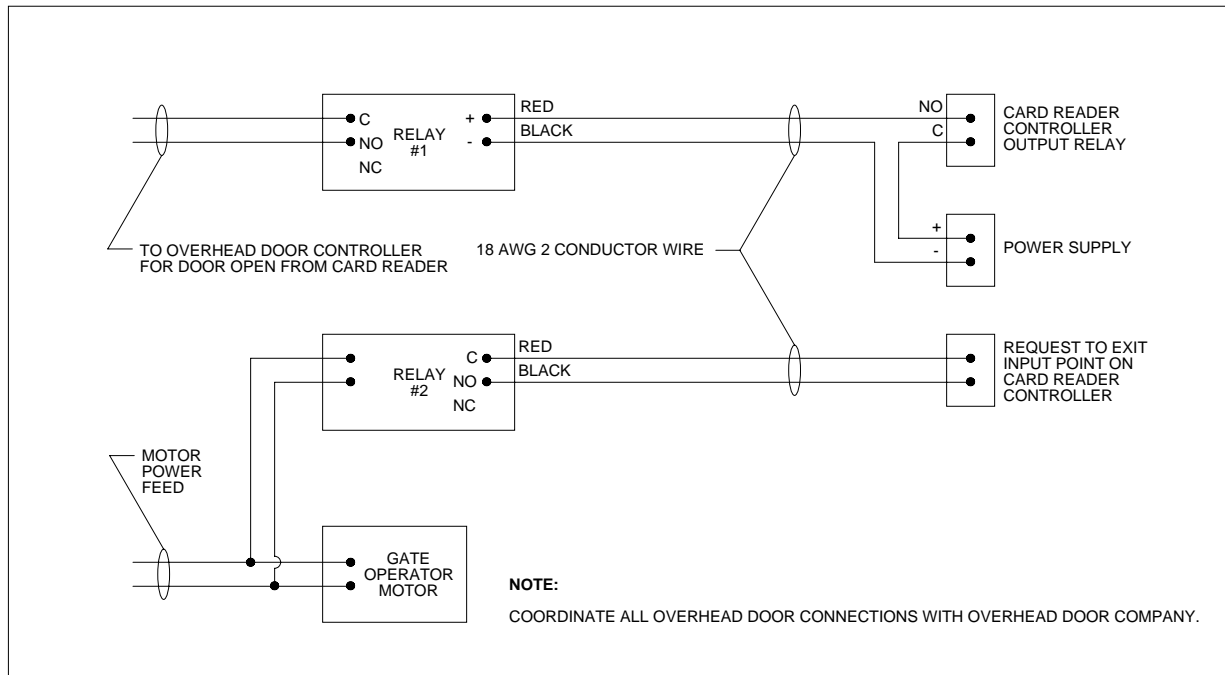
WHENEVER A VALID ACCESS CARD IS PRESENTED TO THE OVERHEAD DOOR EXTERIOR CARD READER, THE OVERHEAD DOOR WILL OPEN AND THE DOOR POSITION SENSOR WILL BE BYPASSED FOR A GIVEN PERIOD OF TIME.

EXIT

EGRESS IS ACCOMPLISHED BY DRIVING OVER THE INTERIOR SAFETY LOOP WHICH WILL OPEN THE DOOR. ACTIVATION OF OPERATOR MOTOR RELAY #2 WILL ONLY BYPASS THE DOOR POSITION SENSOR, FOR A GIVEN PERIOD OF TIME. UPON PASSING THE EXTERIOR LOOP THE DOOR WILL CLOSE. IF A VEHICLE WERE TO PARK OVER ONE OF THE SAFETY LOOPS KEEPING THE DOOR IN THE OPEN POSITION, THE DOOR POSITION SENSOR BYPASS WOULD TIME-OUT, INDICATING AN ALARM CONDITION.

NOTES:

1. CONNECT THE DRY CONTACTS FROM RELAY #1 SO THE DOOR WILL OPEN WHENEVER A VALID ACCESS CARD IS PRESENTED TO THE EXTERIOR CARD READER.
2. CONNECT THE OPERATOR MOTOR RELAY (RELAY #2) TO THE CORRESPONDING ACCESS SYSTEM CENTRAL EQUIPMENT "REQUEST TO EXIT" INPUT. PROGRAM THE "REQUEST TO EXIT" INPUT ONLY TO BYPASS THE DOOR POSITION SENSOR UPON THIS ACTIVATION AND NOT OPEN THE DOOR.



SEQUENCE OF OPERATION:

ENTRANCE:

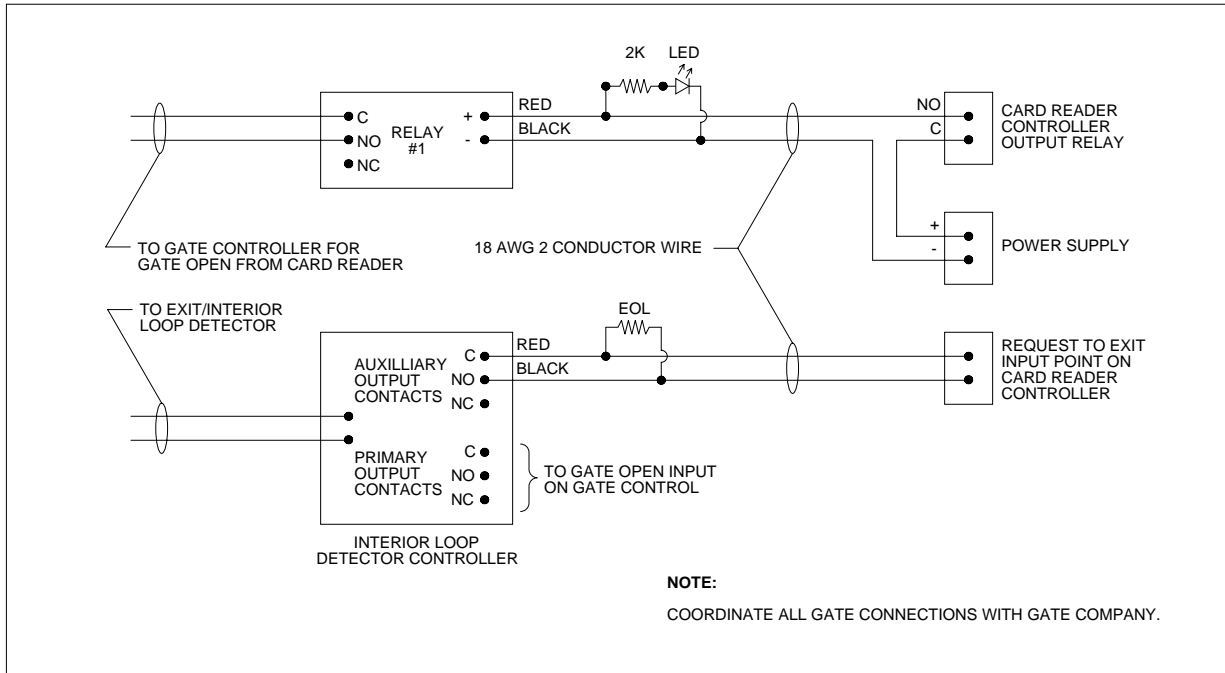
WHENEVER A VALID ACCESS CARD IS PRESENTED TO THE GATE EXTERIOR CARD READER, THE GATE WILL OPEN AND THE DOOR POSITION SENSOR WILL BE BYPASSED FOR A GIVEN PERIOD OF TIME.

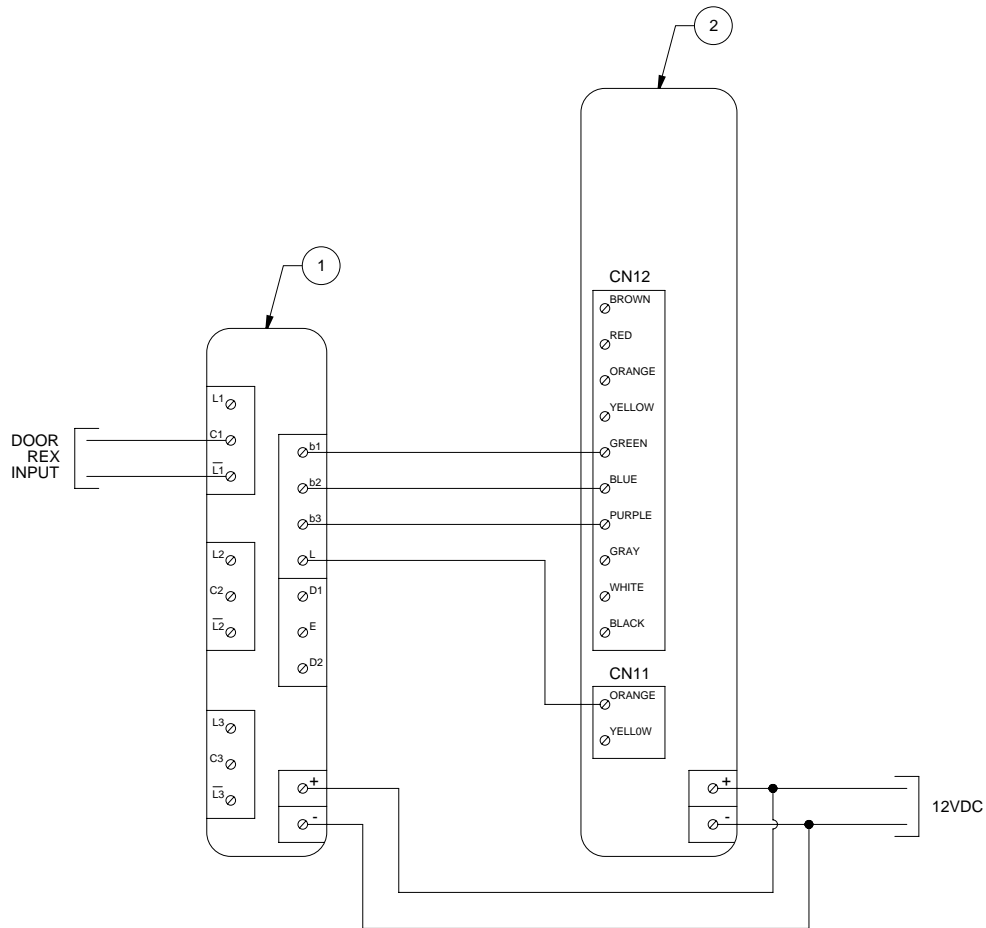
EXIT

EGRESS IS ACCOMPLISHED BY DRIVING OVER THE EXIT/INTERIOR SAFETY LOOP OR FREE EXIT LOOP (AS APPLICABLE) WHICH WILL OPEN THE GATE. AN AUXILIARY CONTACT ON THE LOOP DETECTOR WILL BYPASS THE DOOR POSITION SENSOR FOR A GIVEN PERIOD OF TIME. UPON PASSING THE EXTERIOR LOOP THE GATE WILL CLOSE. IF A VEHICLE WERE TO PARK OVER ONE OF THE SAFETY LOOPS, KEEPING THE GATE IN THE OPEN POSITION, THE DOOR POSITION SENSOR BYPASS WOULD TIME-OUT, INDICATING AN ALARM CONDITION.

NOTES:

1. CONNECT THE DRY CONTACTS FROM RELAY #1 SO THE GATE WILL OPEN WHENEVER A VALID ACCESS CARD IS PRESENTED TO THE EXTERIOR CARD READER.
2. CONNECT THE AUXILIARY CONTACT OF THE EXIT/INTERIOR SAFETY LOOP DETECTOR TO THE CORRESPONDING ACCESS SYSTEM CENTRAL EQUIPMENT "REQUEST TO EXIT" INPUT. PROGRAM THE "REQUEST TO EXIT" INPUT ONLY TO BYPASS THE DOOR POSITION SENSOR UPON THIS ACTIVATION AND NOT OPEN THE GATE.





GENERAL NOTES:

1. BEST ENGINEERING JUDGEMENT SHALL BE UTILIZED IN APPLYING THESE DETAILS IN ORDER TO MEET THE DESIGN INTENT.
2. ALL DIMENSIONS ARE APPROXIMATE.
3. ALL CONDUIT SHALL BE SIZED IN ACCORDANCE WITH THE NATIONAL ELECTRICAL CODE AND LOCAL CODES.
4. ALL CONDUIT AND WIRING TO BE INSTALLED PER DETAILS GS0.01 AND GS0.02.
5. SEE DETAIL ES0.01 FOR SPECIFIC DEVICE MODEL NUMBERS TO SUIT.

DEVICE	DEVICE DESCRIPTION	COMMENTS
1	VIDEO INTERCOM - SELECTIVE DOOR RELAY UNIT	
2	VIDEO INTERCOM - MASTER STATION	



DISTRICT OF COLUMBIA



STANDARD SECURITY DETAIL

TITLE: **INTERCOM DOOR RELEASE INTERFACE**

DATE: 7/30/2010

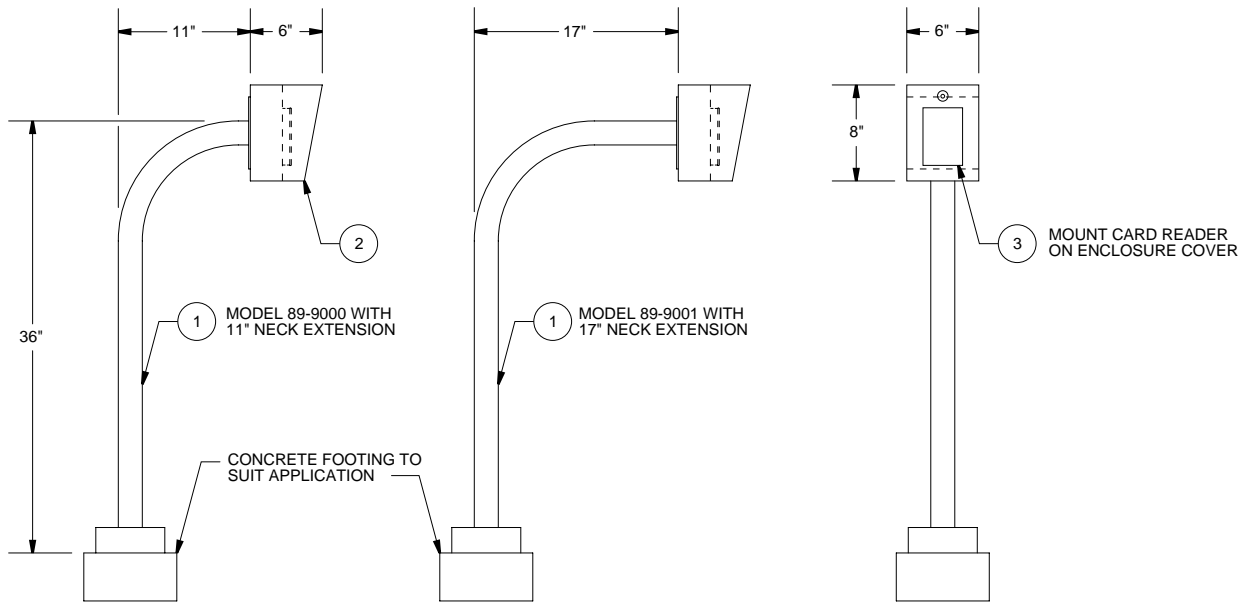
PROJ #: 912101

DWG #: **ID9.01**

DRAWN BY: SDA

SCALE: NTS

REV: A



GENERAL NOTES:

1. BEST ENGINEERING JUDGEMENT SHALL BE UTILIZED IN APPLYING THESE DETAILS IN ORDER TO MEET THE DESIGN INTENT.
2. ALL DIMENSIONS ARE APPROXIMATE.
3. ALL CONDUIT SHALL BE SIZED IN ACCORDANCE WITH THE NATIONAL ELECTRICAL CODE AND LOCAL CODES.
4. ALL CONDUIT AND WIRING TO BE INSTALLED PER DETAILS GS0.01 AND GS0.02.
5. SEE DETAIL ES0.01 FOR SPECIFIC DEVICE MODEL NUMBERS TO SUIT.
6. MUST BE PROTECTED FROM ACCIDENTAL IMPACT DAMAGE WHEN PLACED IN AN EXPOSED LOCATION.

PARAGON METAL PRODUCTS
 9510-07 OWENS MOUTH AVE
 CHATSWORTH, CA 91311
 818.882.1638

DEVICE	DEVICE DESCRIPTION	COMMENTS
1	READER GOOSENECK STAND	SELECT MODEL TO SUIT APPLICATION
2	MOUNTING BOX - PARAGON METAL PROD.	
3	CARD READER	



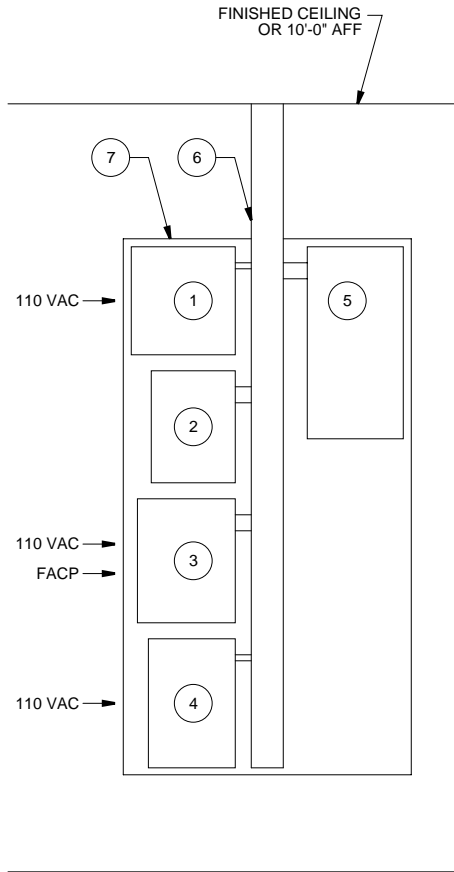
DISTRICT OF COLUMBIA



STANDARD SECURITY DETAIL

TITLE:
**CARD READER PEDESTAL FOR
 AUTOMATIC GATE OR OHD**

DATE: 7/30/2010	PROJ #: 912101	DWG #: MD1.01
DRAWN BY: SDA	SCALE: NTS	REV: A



NOTE:

ALL 110VAC SUPPLY TO BE INSTALLED BY OTHERS IN ACCORDANCE WITH DETAIL GS0.02.

DEVICE	DEVICE DESCRIPTION	COMMENTS
1	CONTROL PANEL POWER SUPPLY	
2	CONTROL PANEL	
3	24VDC POWER SUPPLY	
4	CAMERA POWER SUPPLY	
5	READER CONTROLLER PANEL	FOR GE SYSTEM EXPANSIONS
6	CABLE TROUGH	4" x 4" MIN
7	PLYWOOD BACKER BOARD	



www.securitydesign.pro

DISTRICT OF COLUMBIA



STANDARD SECURITY DETAIL

TITLE:

**PANEL LAYOUT
GE & CONVERSION**

DATE:
7/30/2010

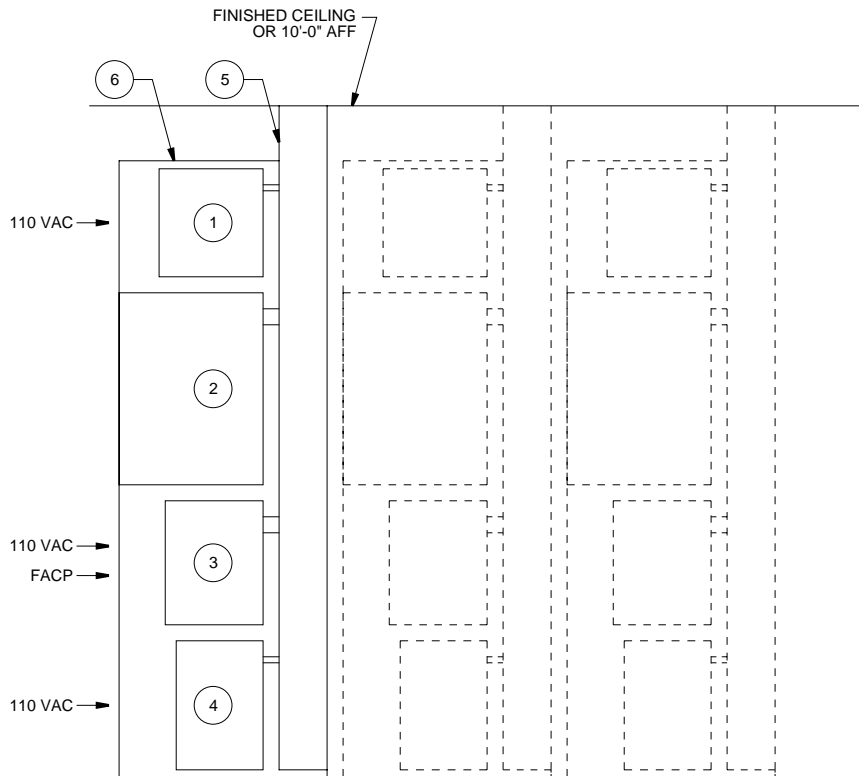
PROJ #:
912101

DWG #:
MD2.01

DRAWN BY:
SDA

SCALE:
NTS

REV:
A



NOTE:

ALL 110VAC SUPPLY TO BE INSTALLED BY OTHERS IN ACCORDANCE WITH DETAIL GS0.02.

DEVICE	DEVICE DESCRIPTION	COMMENTS
1	CONTROL PANEL POWER SUPPLY	
2	CONTROL PANEL	
3	24VDC POWER SUPPLY	
4	CAMERA POWER SUPPLY	
5	CABLE TROUGH	6" x 6" MIN
6	PLYWOOD BACKER BOARD	



www.securitydesign.pro

DISTRICT OF COLUMBIA



STANDARD SECURITY DETAIL

TITLE:

**PANEL LAYOUT
NEW SYSTEM**

DATE:
7/30/2010

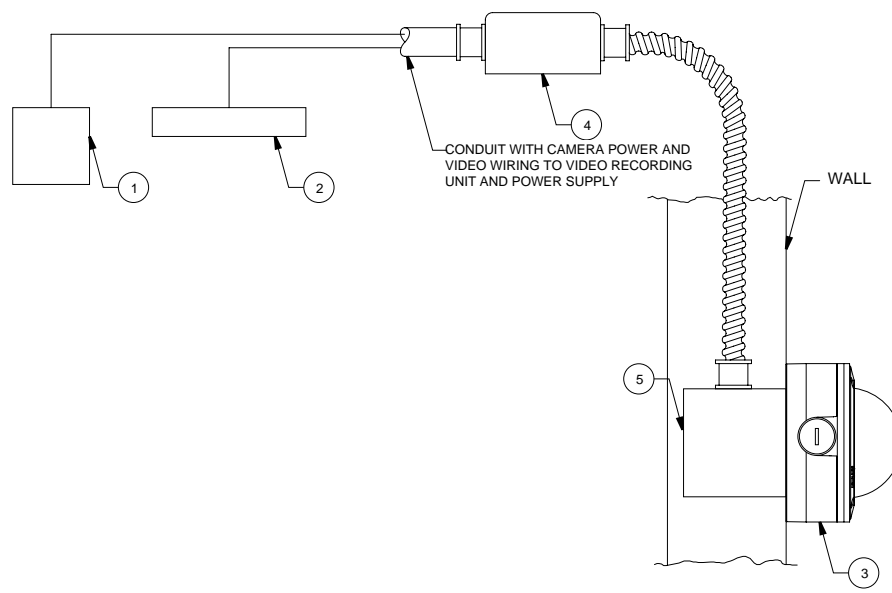
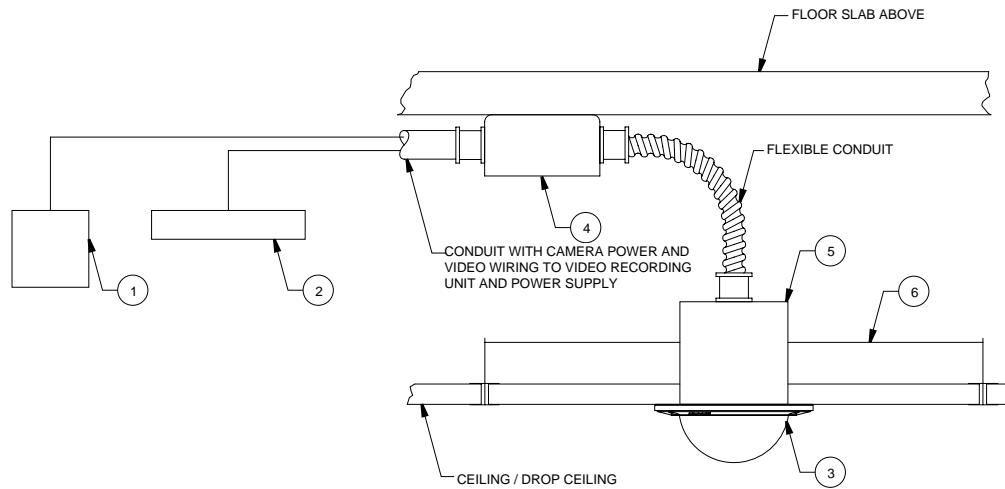
PROJ #:
912101

DWG #:
MD2.02

DRAWN BY:
SDA

SCALE:
NTS

REV:
A



GENERAL NOTES:

1. BEST ENGINEERING JUDGEMENT SHALL BE UTILIZED IN APPLYING THESE DETAILS IN ORDER TO MEET THE DESIGN INTENT.
2. ALL DIMENSIONS ARE APPROXIMATE.
3. ALL CONDUIT SHALL BE SIZED IN ACCORDANCE WITH THE NATIONAL ELECTRICAL CODE AND LOCAL CODES.
4. ALL CONDUIT AND WIRING TO BE INSTALLED PER DETAILS GS0.01 AND GS0.02.
5. SEE DETAIL ES0.01 FOR SPECIFIC DEVICE MODEL NUMBERS TO SUIT.

DEVICE	DEVICE DESCRIPTION	COMMENTS
1	CCTV CAMERA POWER SUPPLY	LOCATE IN SECURITY CLOSET EQUIPMENT
2	DVR OR DISTRIBUTION AMPLIFIER	LOCATE IN CCTV CONTROL CENTER
3	INDOOR FIXED CAMERA	
4	4" x 4" JUNCTION BOX	
5	4S ELECTRICAL BOX	
6	BRIDGE SUPPORT	USE WHEN MOUNTING IN DROP CEILING



DISTRICT OF COLUMBIA



STANDARD SECURITY DETAIL

TITLE:

FIXED CCTV CAMERA

DATE:
7/30/2010

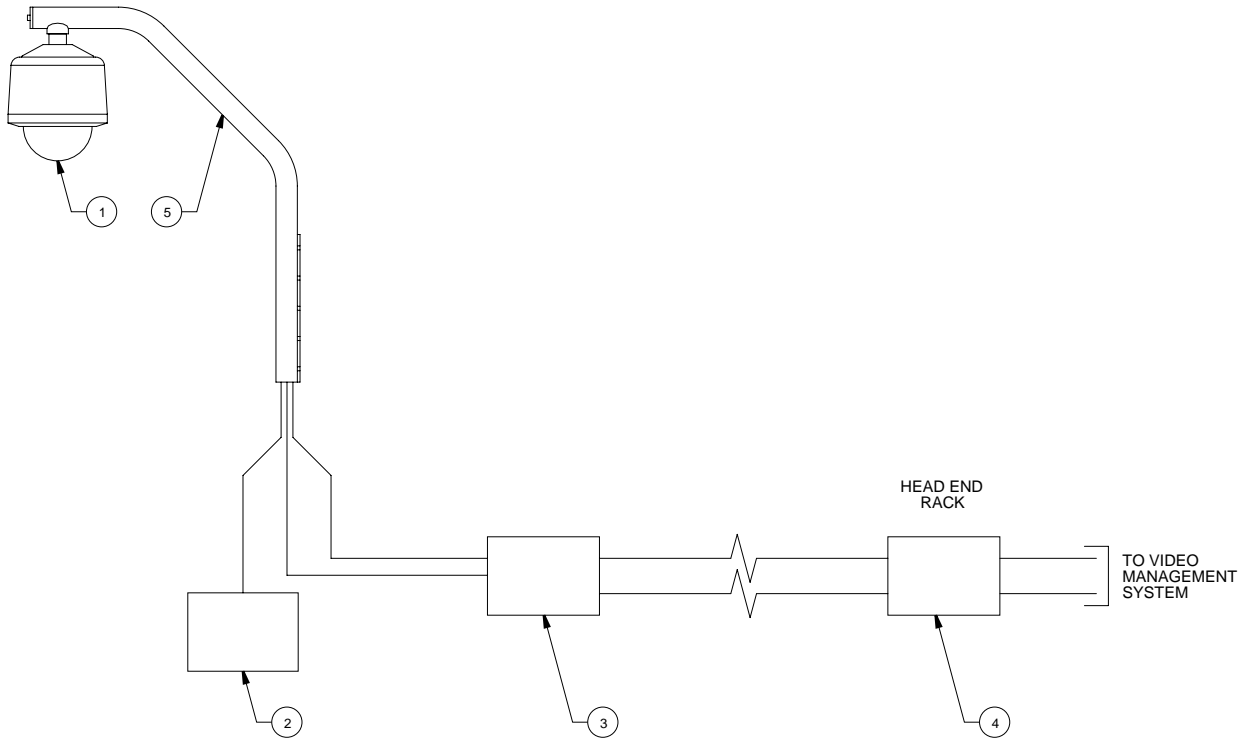
PROJ #:
912101

DWG #:
MD3.01

DRAWN BY:
SDA

SCALE:
NTS

REV:
A



GENERAL NOTES:

1. BEST ENGINEERING JUDGEMENT SHALL BE UTILIZED IN APPLYING THESE DETAILS IN ORDER TO MEET THE DESIGN INTENT.
2. ALL DIMENSIONS ARE APPROXIMATE.
3. ALL CONDUIT SHALL BE SIZED IN ACCORDANCE WITH THE NATIONAL ELECTRICAL CODE AND LOCAL CODES.
4. ALL CONDUIT AND WIRING TO BE INSTALLED PER DETAILS GS0.01 AND GS0.02.
5. SEE DETAIL ES0.01 FOR SPECIFIC DEVICE MODEL NUMBERS TO SUIT.

DEVICE	DEVICE DESCRIPTION	COMMENTS
1	PTZ CAMERA	
2	PTZ CAMERA POWER SUPPLY	
3	FIBER OPTIC TRANSMITTER	
4	FIBER OPTIC RECEIVER	
5	CAMERA MOUNT	SELECT MODEL TO SUIT APPLICATION



DISTRICT OF COLUMBIA



STANDARD SECURITY DETAIL

TITLE:

PTZ CCTV CAMERA

DATE:
7/30/2010

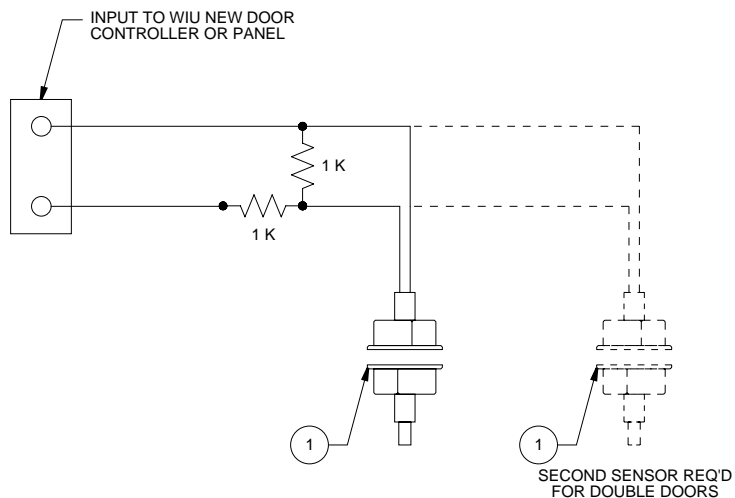
PROJ #:
912101

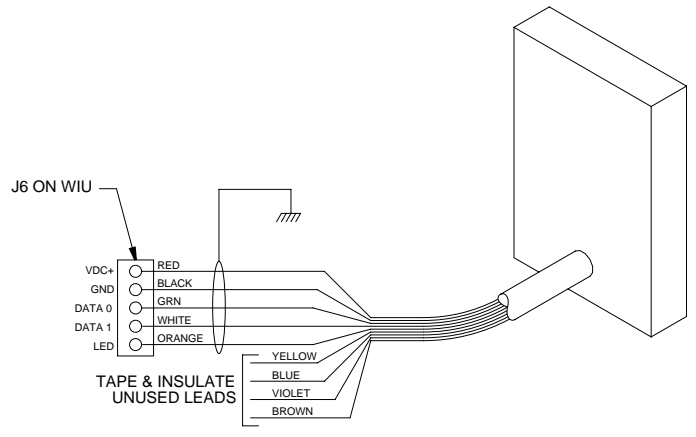
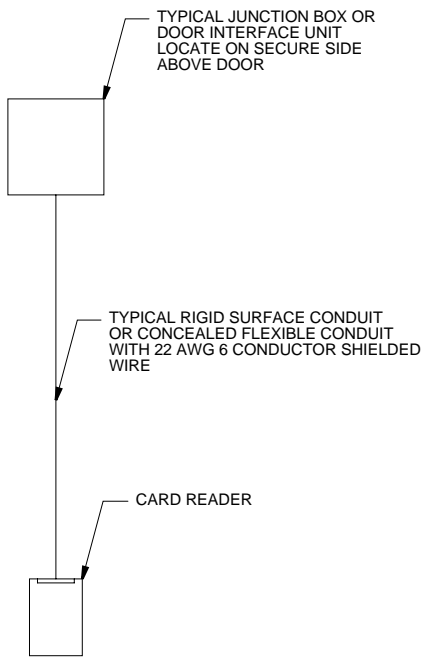
DWG #:
MD3.02

DRAWN BY:
SDA

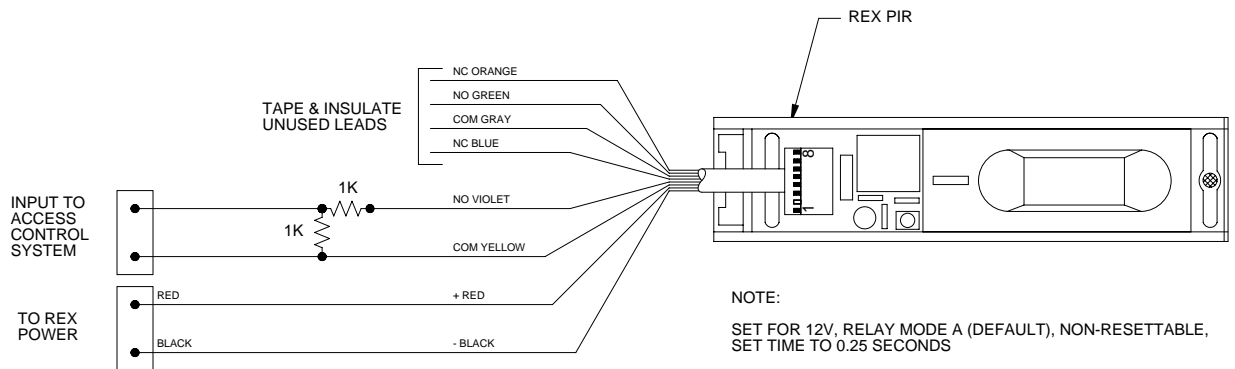
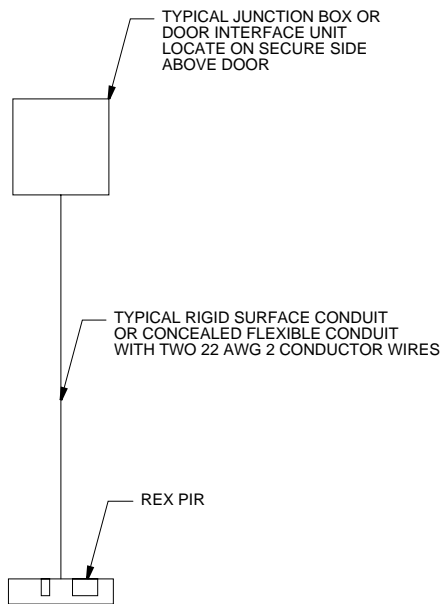
SCALE:
NTS

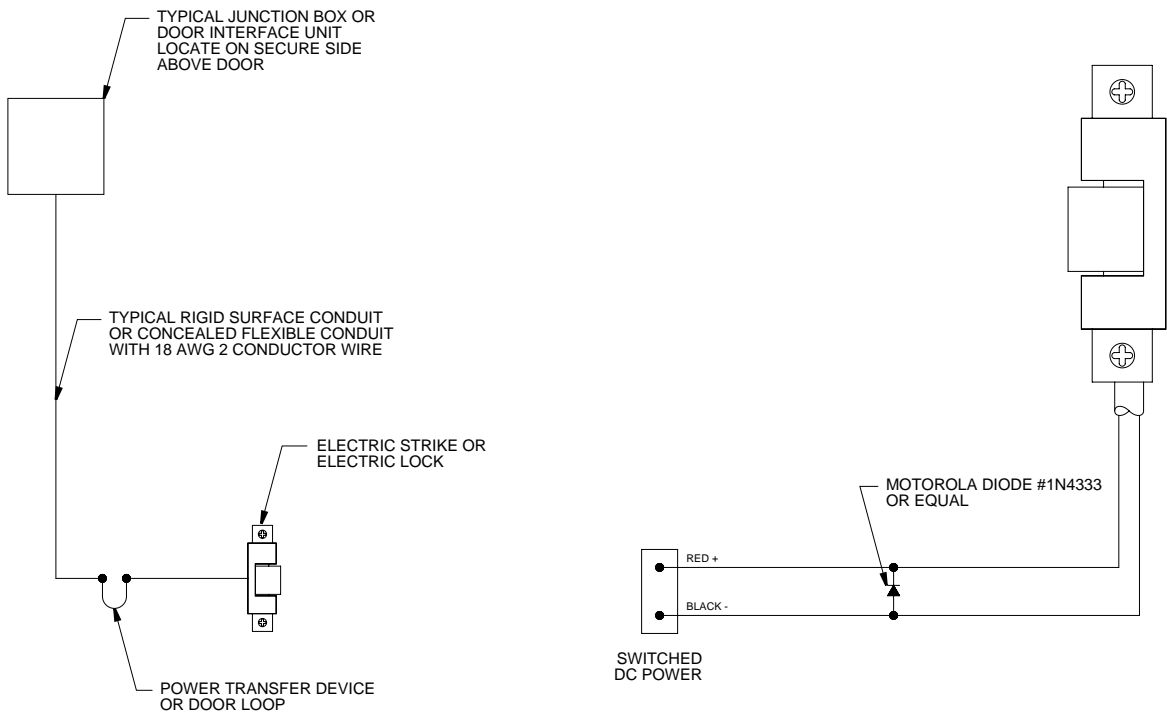
REV:
A

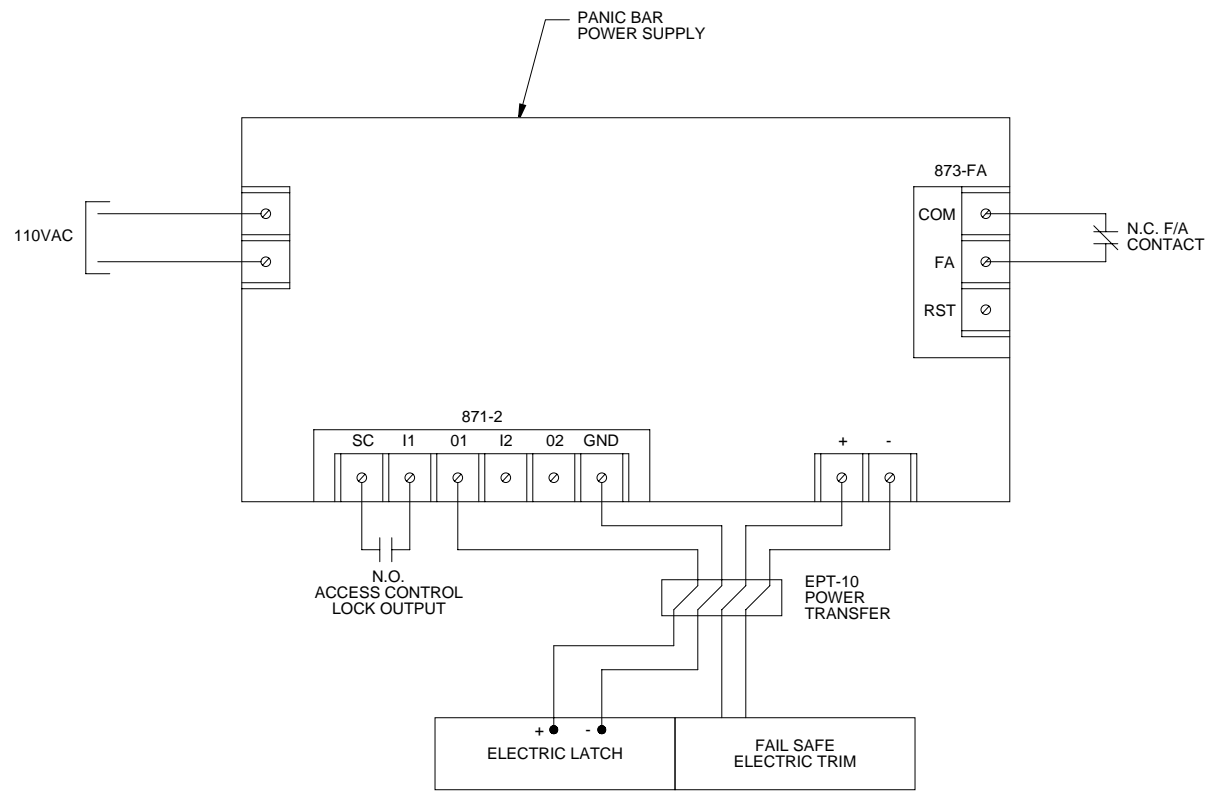
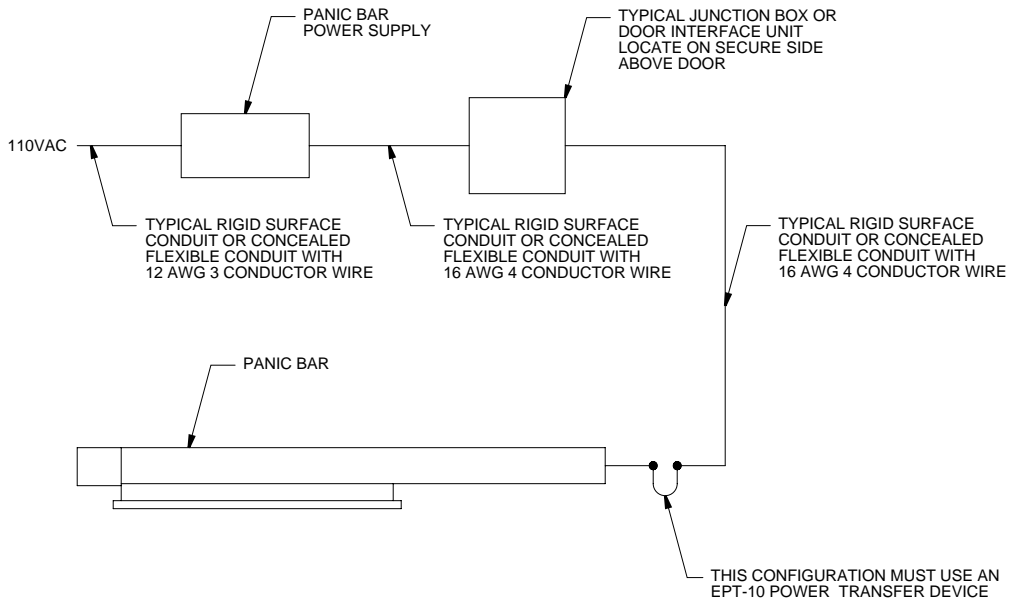




TYPICAL WIRING WIU TO HID RP15, HID RP40, OR GE T-520-PIV







NOTE

ALL 110VAC SUPPLY TO BE INSTALLED BY OTHERS IN ACCORDANCE WITH DETAIL GS0.02.



DISTRICT OF COLUMBIA

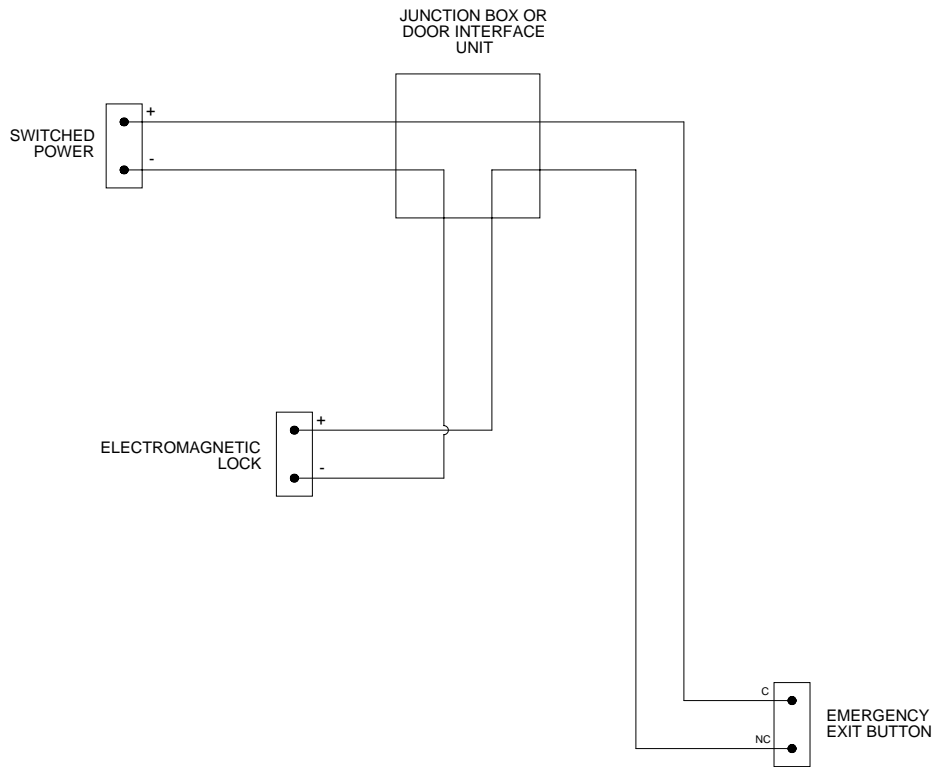
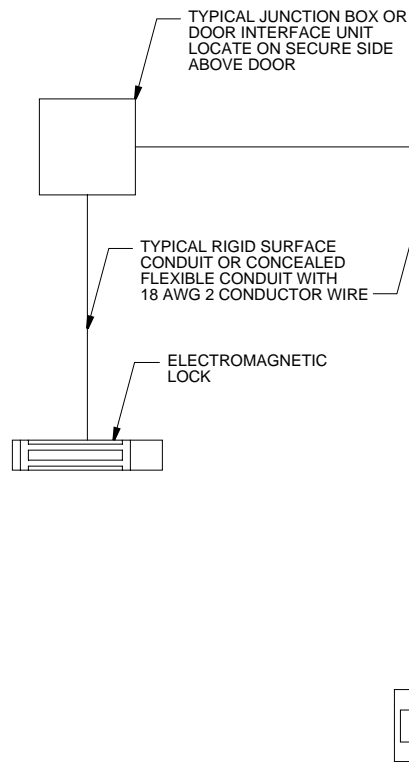


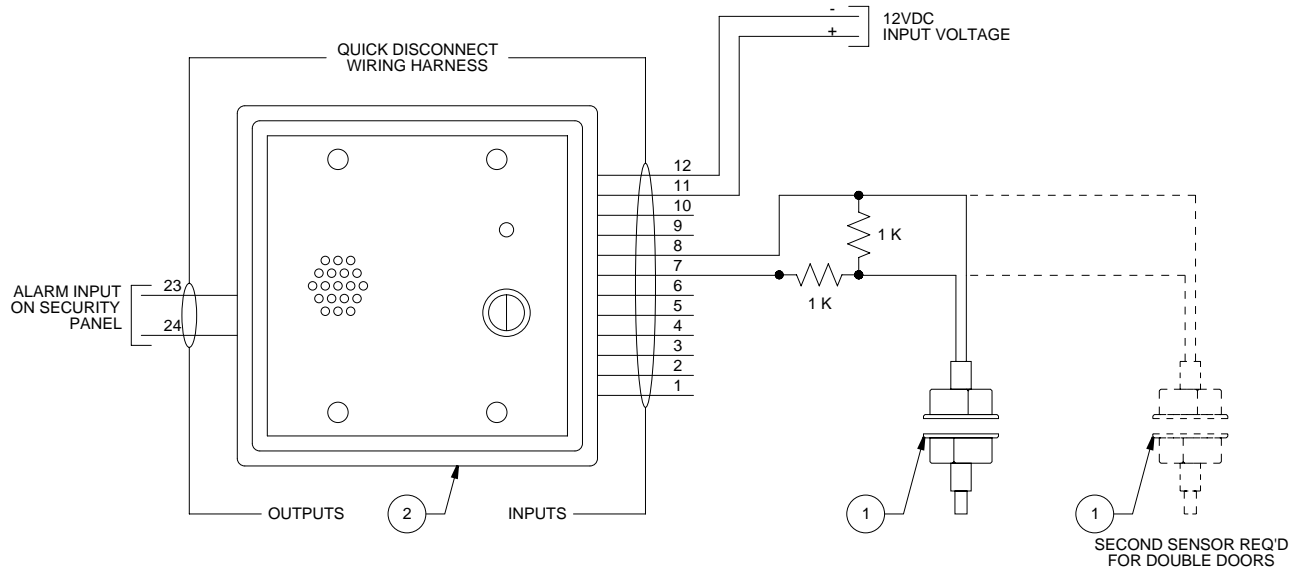
STANDARD SECURITY DETAIL

TITLE: **ELECTRIFIED PANIC BAR WIRING**

DATE: 7/30/2010 PROJ #: 912101 DWG #: **WD1.05**

DRAWN BY: SDA SCALE: NTS REV: A





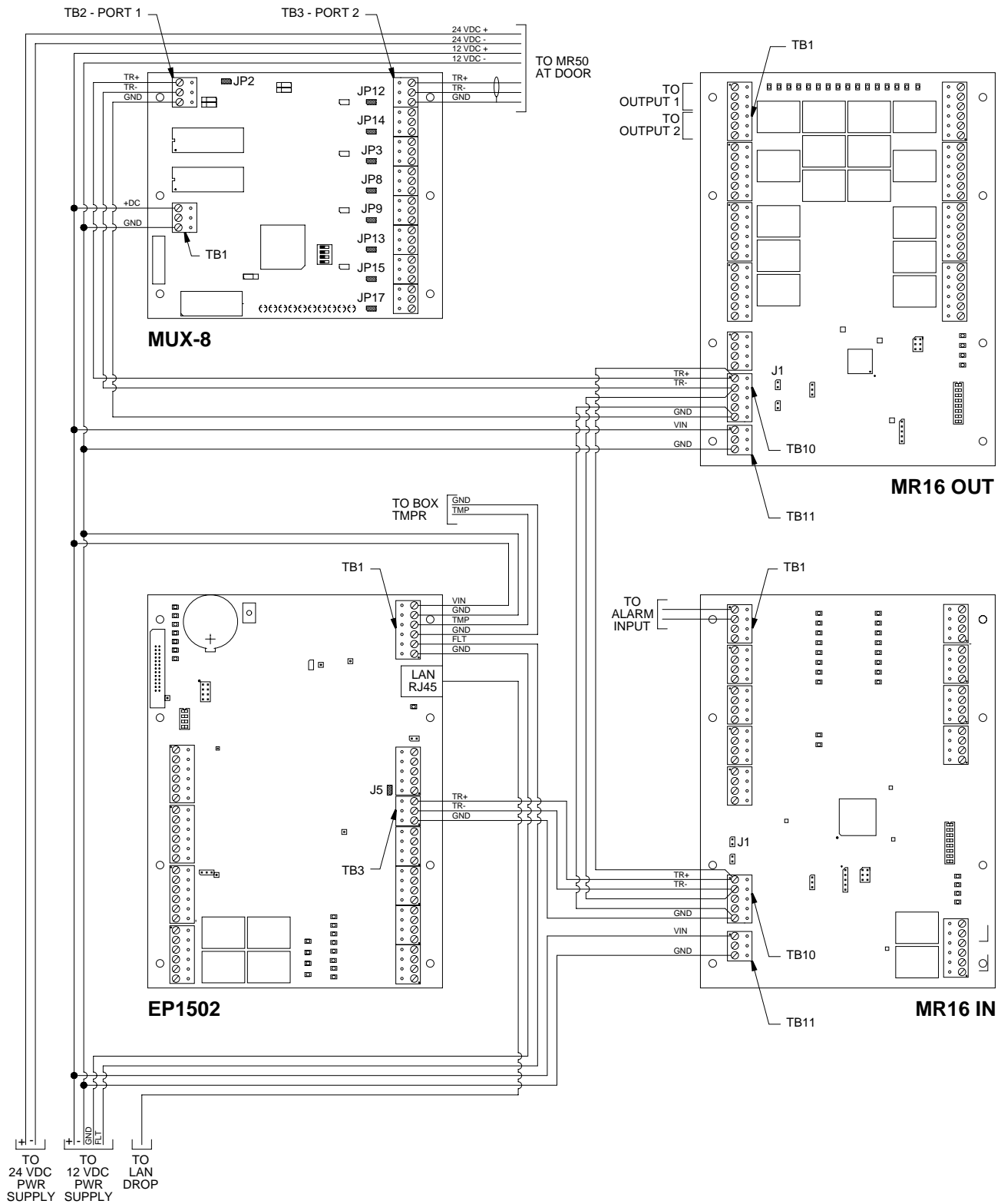
DEVICE	DEVICE DESCRIPTION	COMMENTS
1	DOOR POSITION SENSOR	
2	EMERGENCY EXIT ALARM	

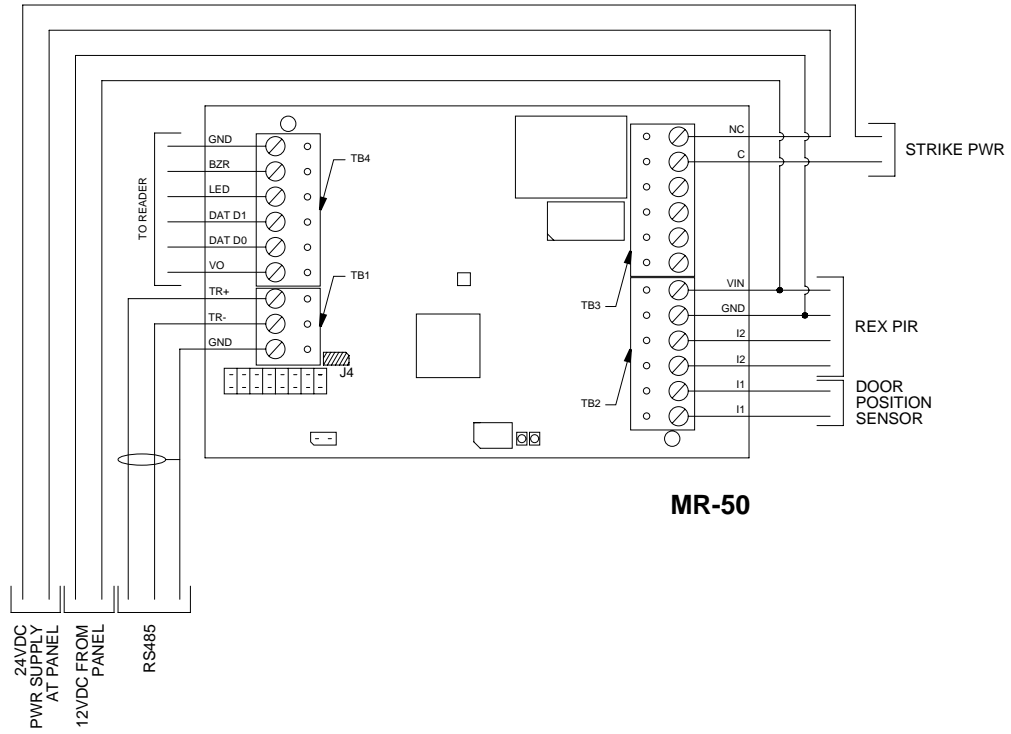


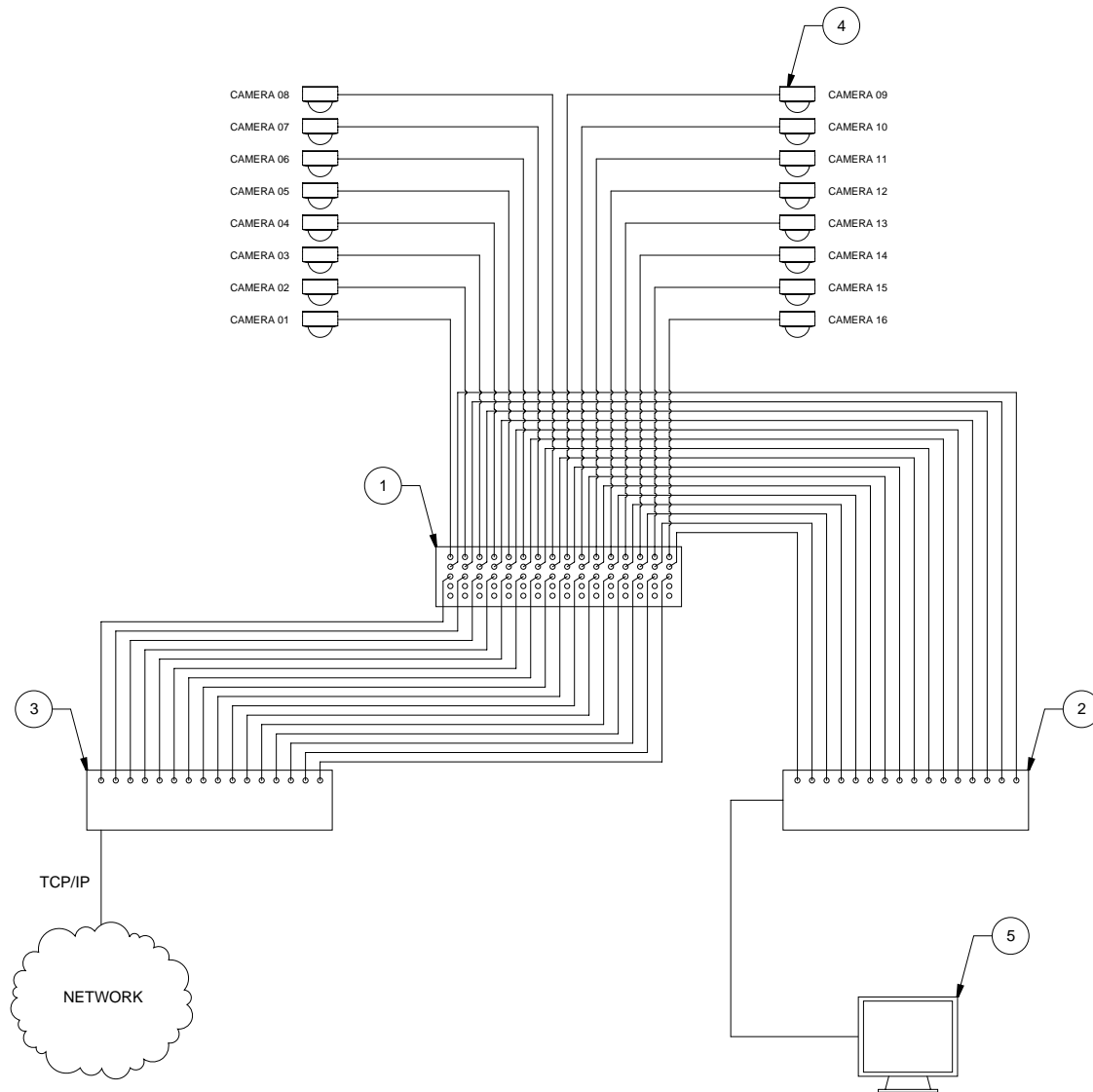
DISTRICT OF COLUMBIA
 ★ ★ ★
 [REDACTED]
 [REDACTED]
 STANDARD SECURITY DETAIL

TITLE: **EMERGENCY EXIT ALARM**

DATE: 7/30/2010	PROJ #: 912101	DWG #: WD1.08
DRAWN BY: SDA	SCALE: NTS	REV: A

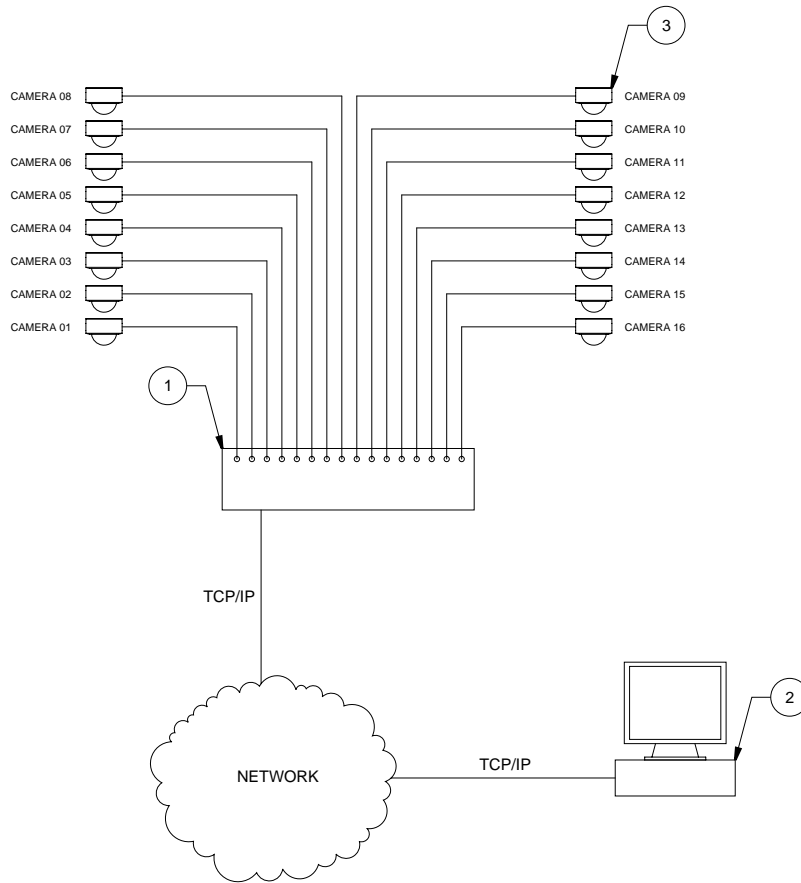






DEVICE	DEVICE DESCRIPTION	COMMENTS
1	DISTRIBUTION AMPLIFIER	
2	MATRIX SWITCH	SELECT MODEL TO SUIT APPLICATION
3	DVR	
4	CCTV CAMERA	
5	MONITOR	





DEVICE	DEVICE DESCRIPTION	COMMENTS
1	DVR	
2	VIDEO MANAGEMENT SOFTWARE CLIENT	
3	CCTV CAMERA	



DISTRICT OF COLUMBIA
 ★ ★ ★
 STANDARD SECURITY DETAIL

TITLE: **ANALOG CAMERAS WITH MONITORING OVER THE INTERNET**

DATE: 7/30/2010	PROJ #: 912101	DWG #: WD8.02
DRAWN BY: SDA	SCALE: NTS	REV: A