

# Attachment L

---

## Basis of Design Documents and Quotes



**AMERICANLOCKER**  
Integrated Technology for Greater Security™

PO Box 169, Coppell, TX 75019

Kramer/Heery Capital Construction Serv.  
1250 U Street NW 4th Floor  
Washington, DC 20009  
John Harmon 220-495-9484  
[jharmon@heery.com](mailto:jharmon@heery.com)

**QUOTE**

12/11/2015  
Phone: (800) 828-9118 Ext 235  
Fax: (817) 722-0110  
[www.americanlocker.com](http://www.americanlocker.com)

Quotation No.  
**AM121115PC**  
Please refer to our quotation number when making inquiry.

Project:	Takoma Aquatic Center Phase 1		
<b>Quantity</b>	<b>Ambassador stainless steel locker with coin op lock</b>	<b>Unit Price</b>	<b>Price</b>
	<b>Womens and Staff</b>		
27	12"W x 18"D x 72"H, 3 wide x 1 high (81 total openings)	\$2,558.00	\$69,066.00
5	12"W x 18"D x 72"H, 2 wide x 1 high (10 total openings)	\$1,660.00	\$8,300.00
2	12"W x 18"D x 72"H, 1 wide x 1 high (2 total openings)	\$868.00	\$1,736.00
8	12"W x 18"D x 36"H, 3 wide x 2 high (48 total openings)	\$3,114.00	\$24,912.00
1	12"W x 18"D x 36"H, 2 wide x 2 high (4 total openings)	\$2,062.00	\$2,062.00
3	12"W x 18"D x 36"H, 1 wide x 2 high (6 total openings)	\$1,054.00	\$3,162.00
	<b>Mens and Staff</b>		
11	12"W x 18"D x 72"H, 3 wide x 1 high (33 total openings)	\$2,558.00	\$28,138.00
2	12"W x 18"D x 72"H, 1 wide x 1 high (2 total openings)	\$868.00	\$1,736.00
26	12"W x 18"D x 36"H, 3 wide x 2 high (156 total openings)	\$3,114.00	\$80,964.00
4	12"W x 18"D x 36"H, 1 wide x 2 high (8 total openings)	\$1,054.00	\$4,216.00
	Expedite fee		\$11,215.00
	Estimated freight (45 pallets) to zip 20012		\$15,750.00
	<b>Estimated total</b>		<b>\$251,257.00</b>
	Optional extras: Finished En panel \$200 ea., Sloped tops, \$75/ft.; spare keys/cylinders \$18, Safety pins or wristbands \$1.50 ea.		

**Price includes 4" ss base, fully assembled, numbered doors, furnish only**

ALL PRICES QUOTED ARE SUBJECT TO APPLICABLE SALES TAXES UNLESS EXEMPTION CERTIFICATE IS FURNISHED

Payment Terms 50% down, balance TBD  
F.O.B. Plant  
Shipment From N. Las Vegas  
Lead Time 6-8 weeks After receipt of order

Thank you for the opportunity of providing you with this quotation. We look forward to supplying you with the finest locker made today.

X Client Signature

By Pete Collins

*Quotation valid for 60 days from above date.*

00211658

**Quote Information**

Quote Number	00211658	Created Date	12/10/2015
		Expiration Date	1/8/2016
Bill To Name	Department of Parks and Recreation	Ship To Name	Department of Parks and Recreation
Bill To:	300 Van Buren St NW Washington, DC 20012-2717 US	Ship To:	300 Van Buren St NW Washington, DC 20012-2717 US
SFDC ID	10373909		

**General Information**

Sales Rep	Dawn Harrington	Contact Name	
E-mail	dharrington@bigasssolutions.com	Contact Phone	
Phone	(859) 629-7782		
Fax	859-233-0139		

**Comments**

Comments All fans to include controller with variable speed selector and all mounting brackets.

Freight charges are included in the quoted price.

Sales Tax is strictly an estimate and may change based on the shipping address of the order.

PLEASE NOTE THAT THE CONTRACTOR IS RESPONSIBLE FOR VERIFYING THE CORRECT DROP TUBE LENGTH AS WELL AS THE CORRECT MOUNTING METHOD FOR FANS PRIOR TO ORDERING.

Product	Description	Qty	Total Price
<b>Pivot - 6ft, 400-480 Volt/3 Phase - 180 Column Mounting Bracket with Safety Cable</b>	Bleachers	6	\$28,950.00
- Pivot Shipping & Handling (\$600.00)			
<b>Pivot</b>	"Please note that the possible install and supplying of lift for this job hinders on a site visit. This visit is a MUST in order to accurately quote this job"	6	\$13,085.00
- Level 2 Install, Pivot/Pivot Column/Pivot 180, without lift, 3 or more fans			
- Fan Install Adder – Plywood Floor Protection Used During Install			
- Custom Installation Services - Prevailing Wage Adder			
			Subtotal: \$42,035.00
			Tax: \$ 0.00
			<b>Grand Total: \$42,035.00</b>

Search for products, brands or categories

Cart (empty)

CATEGORIES

[Swim Shop](#) [Swim Equipment](#) [Racing Lanes](#) [75' TSP Wave Breaker 6" Racing Lane](#)



### 75' TSP Wave Breaker 6" Racing Lane

SKU: 60075000

Availability: Usually Ships within 48 hours

Rating:

[Tweet](#) [Share](#) [Google+](#) [Pinterest](#)

[Send to a friend](#)



Low Price Guarantee!

**MSRP: ~~\$619.00~~**

**\$390.00**

*You Save 36%*

LANE COLOR

Selected

LEAD-IN COLOR

Selected

15 METER MARKER

Selected

QUANTITY

1

ADD TO CART

# Standard



- 6' tall at the seat
- Portable unit features two wheels for the flexibility to move your lifeguard stations as needed
- Seat swivels 45°
- Observation platform features a non-slip, white, sanded tread
- Handrails and seat post are 304 stainless steel
- Stainless steel base for added corrosion resistance

Model No	Description	Shipping (3 boxes) - Class 100			
		Weight	Length	Width	Height
PLS-204	Standard Portable	120 lbs	80"	62.5"	7"
			26"	20"	11"
			25"	20"	9"

#### Notes:

- 316L polished stainless steel is available
- Ships from both Tennessee and Oregon facilities

#### Footboard Color



RADIANT WHITE

#### Tread Color

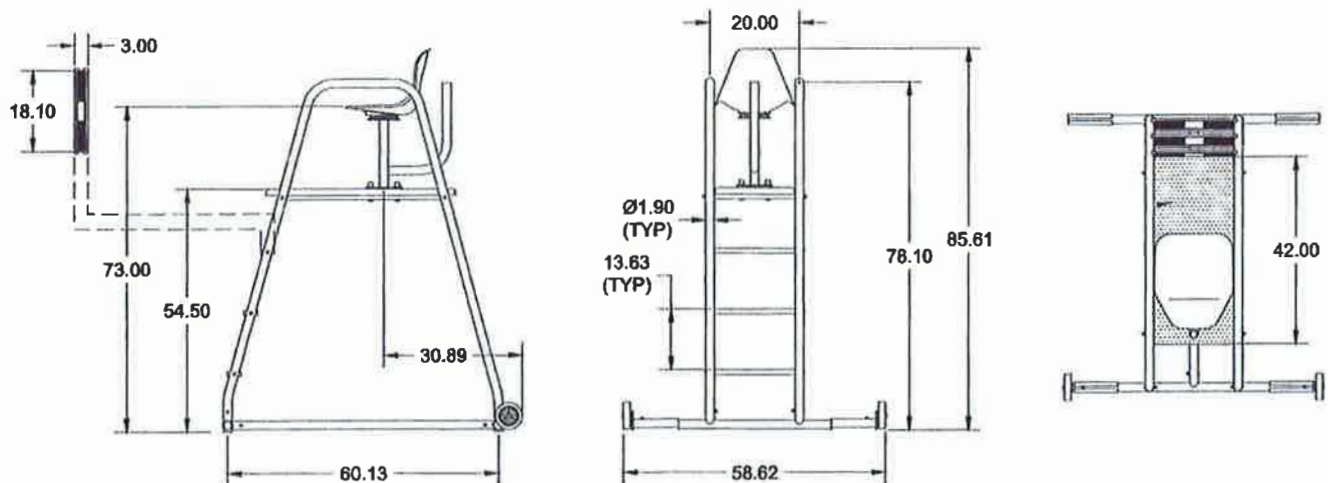


RADIANT WHITE

Custom colors available

#### Replacement Parts

- 8-705 Footboard (18" x 42")
- 13-109 Seat Post + Umbrella Holder
- 13-111 Seat + Swivel
- 8-609 Seat Only
- A40703-0 Swivel Only
- LTDF-105 | Ladder Tread
- FC-100C White Stabilizer Leg Cover
- 8-862 Wheel
- 13-130 Hardware Pack





1551 E 11<sup>th</sup> Street, Loveland, CO 80537 USA  
(970)667-1000 • (800)279-0111 • (970)667-5876(fax)  
[www.coloradotime.com](http://www.coloradotime.com)

December 14, 2015

John Harmon  
Takoma Recreation Center  
Customer #015992

Dear John:

The following is the price quotation you requested. We are pleased that you have considered Colorado Time Systems to be a part of your team. CTS has been the leader in sports timing for over 40 years and is the only aquatic sports timing equipment vendor whose products are listed for use in a pool environment by Underwriters Laboratories, Inc. to the United States and Canadian safety standards.

Colorado Display Systems, a partner of CTS, offers a wide range of multi-sport scoreboards tailored to fit your needs – and your budget. If you have any questions or comments, please call me at 970-290-4708, or e-mail me at [markp@coloradotime.com](mailto:markp@coloradotime.com). If you need immediate assistance please contact the sales department at 800.279.0111 x 2. Also, look for us on-line at: <http://www.coloradotime.com>.

***SCOREBOARD - INDOOR, FULL COLOR, VIDEO DISPLAY***

***Includes:***

Full matrix full color LED scoreboard with a computer controller with display link software, standard unistrut, galvanized steel channel mounting hardware and data cables.

***Specification:***

- Display shall be a full color LED matrix display. Display shall be comprised of red, blue and green LED's to form pixels. Display shall be capable of 281 trillion shades of color.
- Display should be capable of 16-bit video processing, four levels of dimming capability and allow for Gamma correction. Display brightness shall be adjustable up to 3500 nits.
- The display shall have built in graphics and animation capability with Windows based software. Graphics and animation shall have the capacity of being displayed on the entire matrix. All MS Windows fonts shall be compatible with the display.
- Display will allow for front service access
- Each pixel shall be comprised of 3 LED's, Nichia 1R1PG1B SMD
- Display shall have 12mm pixel spacing center to center
- Must be compatible with CTS competitive timing system
- Displays swimming, diving, water polo, pace clock, and synchronized swimming functions, competitors' names, full matrix graphics and animation, live video, and has advertising capabilities

**YDS12MM192X384**

***Description***

- Full color live video capable,
- Will display 17 lines of information by 48 characters wide in 9 h x 7 w font format with 4.2" characters,
- Will display 14 lines of information by 38 characters wide in 11 h x 9 w font format with 5.2" characters,
- Will display 12 lines of information by 32 characters wide in 13 h x 11 w font format with 6.2" characters,
- Approximate dimensions 8.3' h x 15.8' w.

**PRICE \$67,000**  
**Includes Shipping & Supervision of Installation**

**NOTE: If you are interfacing Hy-Tek Meet Manager with your matrix display, the "Alpha Scoreboard INTERFACE to Display Names/Results" option needs to be purchased through Hy-Tek (<http://www.hy-tek.com/index.html>).**

---

<b>TERMS:</b>	Purchase order or 50% down, net 30 days. Visa, MasterCard or American Express are acceptable. Quote does not include power, permits, engineering fees, delivery charges or installation, unless otherwise noted. Change order fee of 5% will apply after purchase. All returns are subject to a 25% restocking fee.
<b>WARRANTY:</b>	2 Year limited
<b>DELIVERY:</b>	4 to 6 weeks after receipt of order. Displays 10 to 18 weeks.
<b>TAXES:</b>	<b>If Purchaser is tax exempt or purchasing for resale, a copy of purchaser's tax-exempt certificate shall be required at time of order. If purchaser's tax-exempt certificate is not available purchaser shall be charged all appropriate tax.</b>
<b>NOTE:</b>	Price quotations valid for 30 days.

---

Sincerely,



Mark A. Polansky  
Eastern Regional Sales Manager  
MAP/KMC